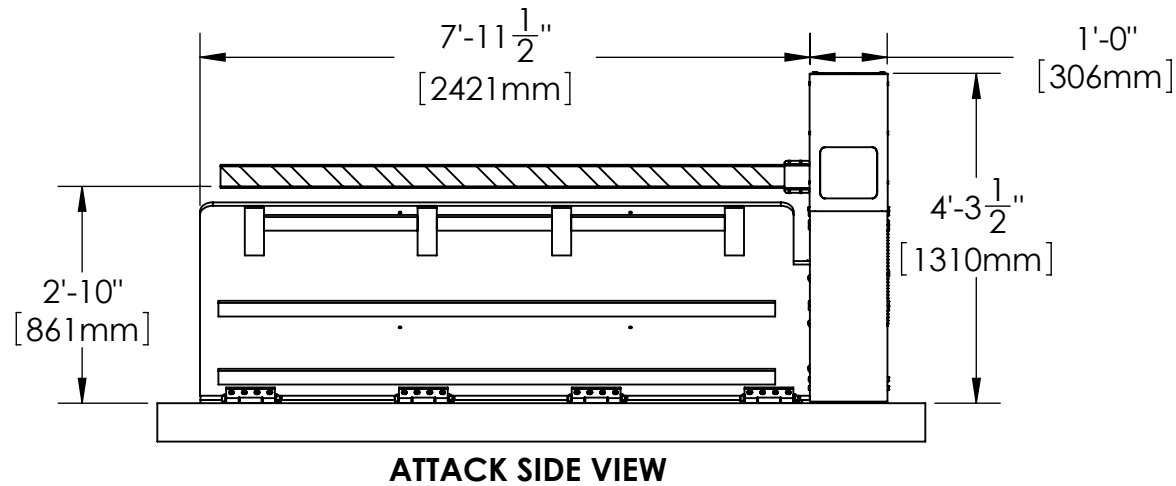
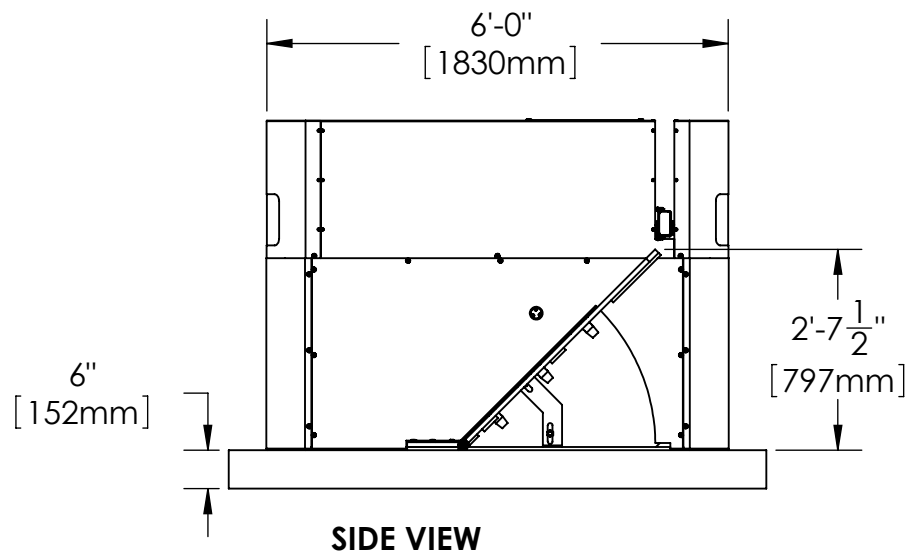
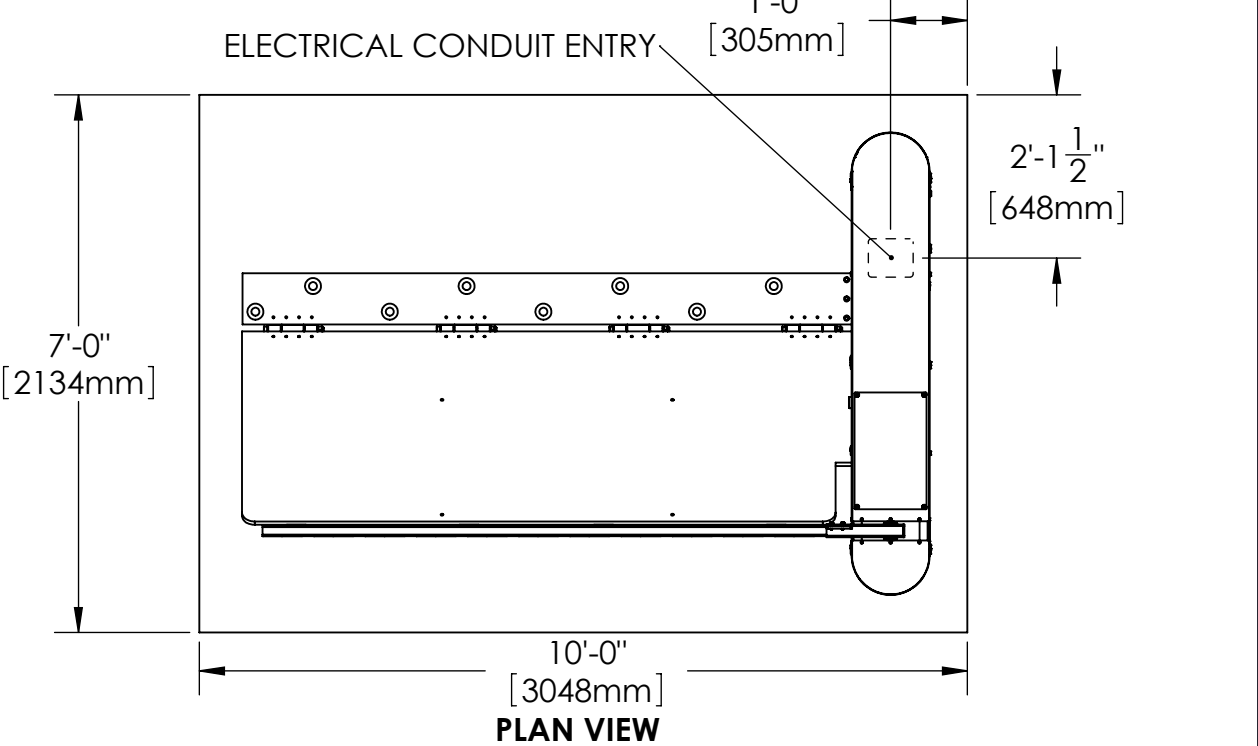
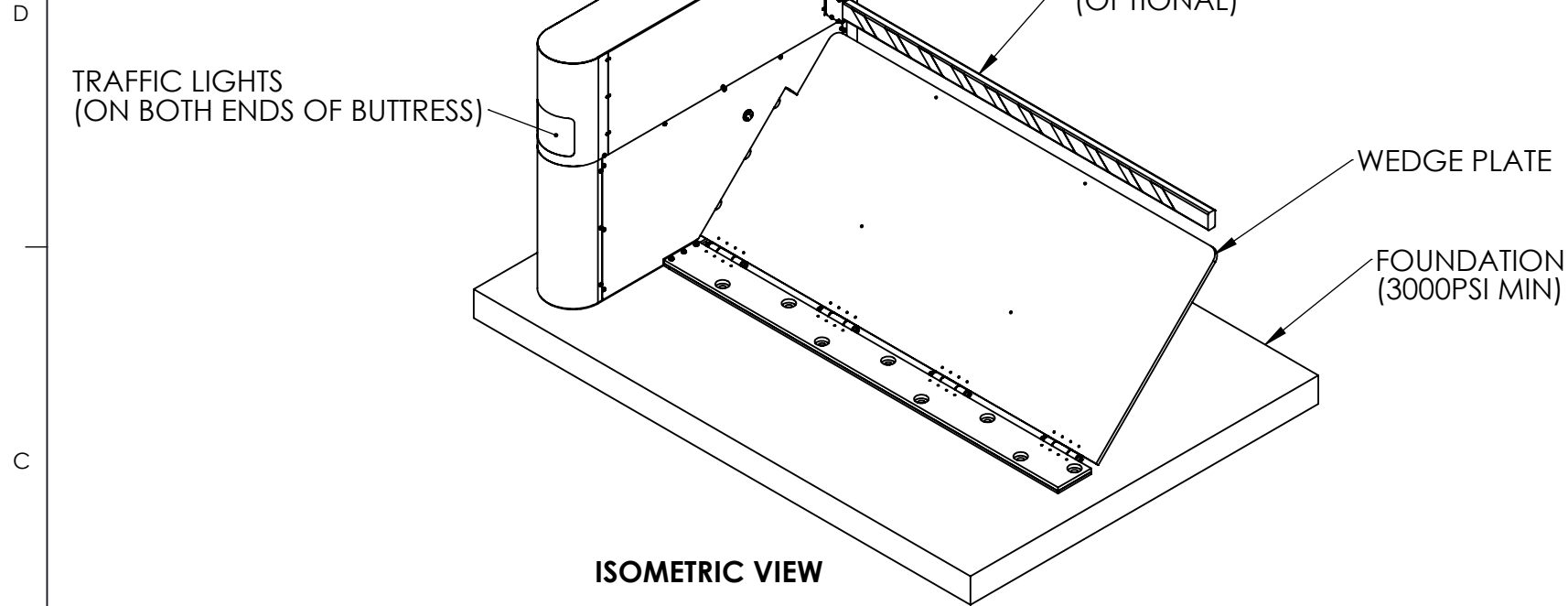


8 7 6 5 4 3 2 1

REVISIONS				
REV.	DESCRIPTION	DATE	DRAWN BY	APPROVED
A	ADDED NOTES, ADDED METRIC DIMENSIONS, CHANGED DRAWING NUMBER	9/1/2010	M.S	R.S



- NOTE:**
1. INSTALLATION TO BE COMPLETED IN ACCORDANCE WITH MANUFACTURERS SPECIFICATIONS
 2. ENTRY BARRIER SHOWN (GATE ARM ON ATTACK SIDE)
 3. CRASH RATING: 5000LB (2250KG) @ 40MPH (64KM) P40
 4. REBAR REQUIRED: 100LB

PROPRIETARY AND CONFIDENTIAL
 THIS DRAWING, UNLESS OTHERWISE NOTED, REMAINS CONFIDENTIAL PROPERTY AND IS DESCRIBED AS TRADE SECRET. IT SHALL NOT BE DISCLOSED, REPRODUCED OR USED FOR MANUFACTURE, DESIGN OR CONSTRUCTION WITHOUT THE EXPRESS AUTHORIZATION OF SECUREUSA, INC. THE RECIPIENT BY ACCEPTING THIS DRAWING, ASSUMES CUSTODY THEREOF AND UNDER THE ABOVE TERMS AGREES NOT TO ALLOW USE BY UNAUTHORIZED PERSONS.
 ©2006 SECUREUSA INC. (ALL RIGHTS RESERVED)

PATH: Z:\Product Drawing Files\Surface Mount Barrier\31XX\GENERAL ARRANGEMENTS\

CAD GENERATED DRAWING
NO MANUAL REVISIONS ALLOWED

TOLERANCES UNLESS OTHERWISE SPECIFIED

DIMENSIONS ARE: INCHES

X/X	±1/16
X	±0.05
XX	±0.02
XXX	±0.01
XXXX	±0.001

BREAK ALL SHARP EDGES

DO NOT SCALE DRAWING

THIRD ANGLE PROJECTION



SecureUSA, Inc.
 4250 Keith Bridge Road Cumming, GA 30041
 Toll Free: 888.222.4559/Facsimile: 770.889.7939
 www.SecureUSA.net

DRAWN BY	M.S	DESCRIPTION	
CHECKED	R.S	31 IN 8 FT RH SURFACE MOUNTED FUTUREWEDGE BARRIER	
APVD		SIZE	DWG NO
MATERIAL		B	SMS3108-2 RH ENTRY
FINISH		SCALE: 1:30	WEIGHT: 2133.79
DATE	6/24/2010	REV A	
		SHEET 1 OF 1	

8 7 6 5 4 3 2 1