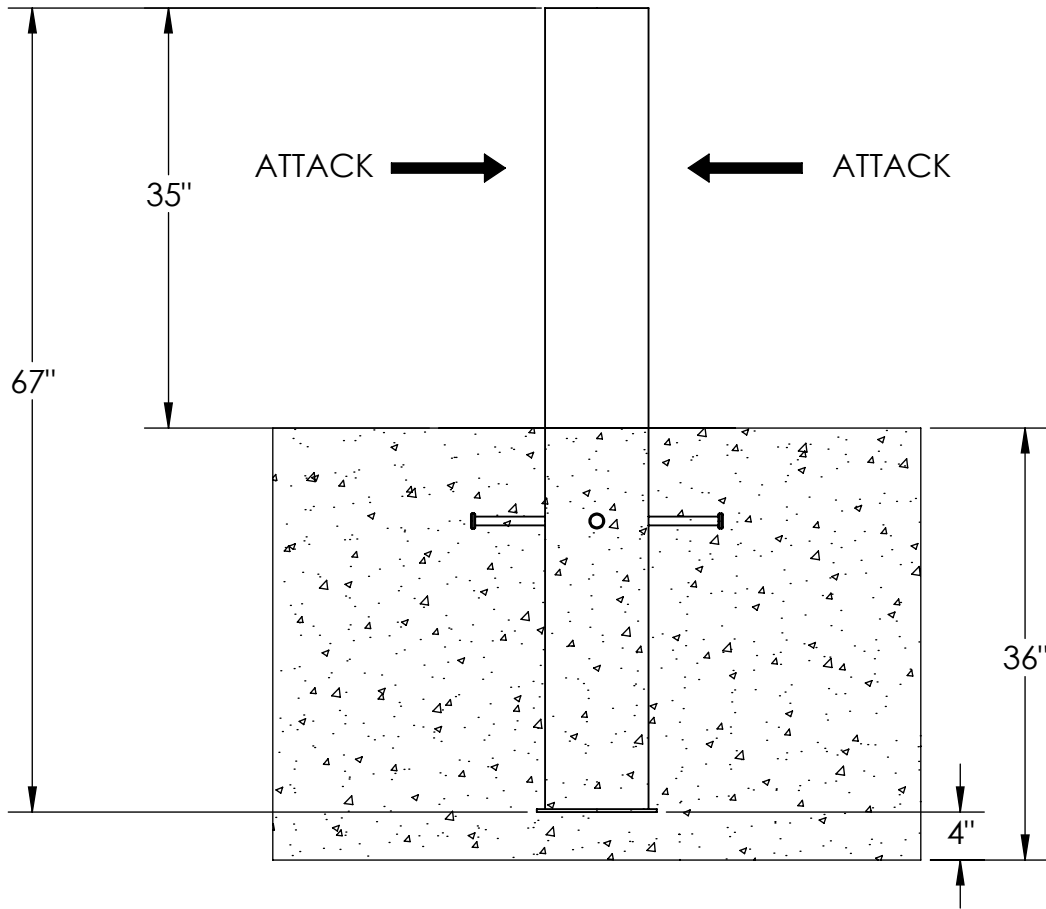
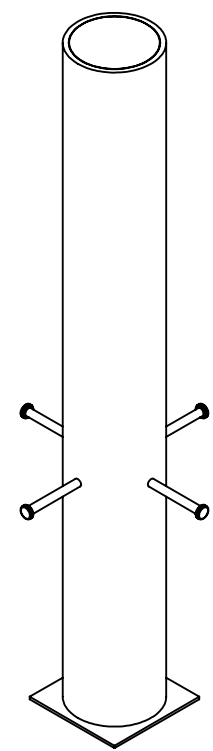
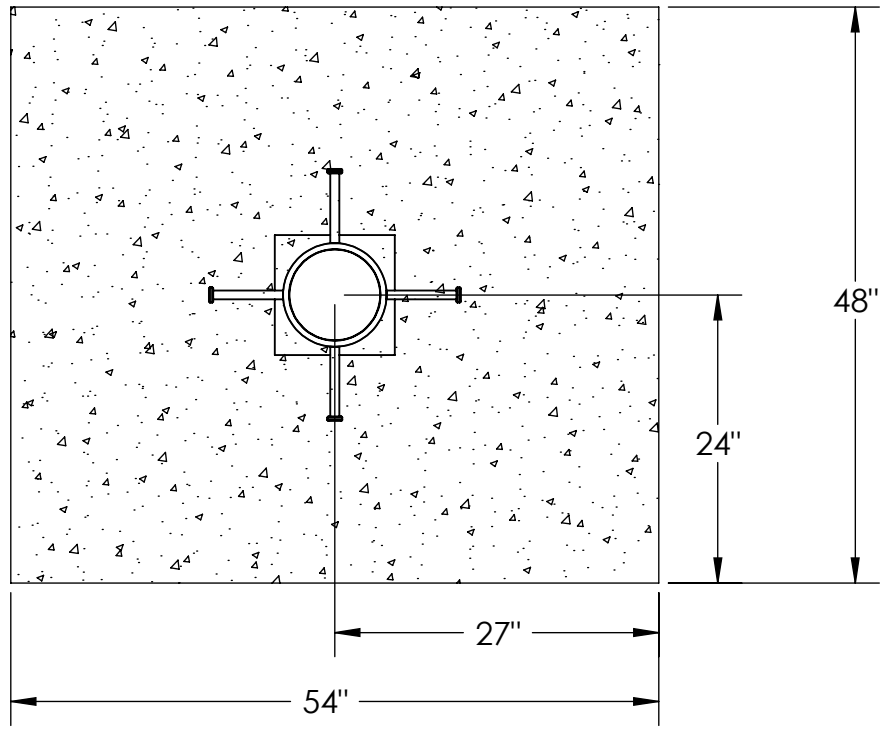


8 7 6 5 4 3 2 1

REVISIONS				
REV.	DESCRIPTION	DATE	DRAWN BY	APPROVED
A	ADDED "FX" NUMBER TO DESCRIPTION	2/17/2009	M.S	R.S
B	ADDED REBAR NOTE	2/19/2020	AD	




- NOTE:
1. FOUNDATION SHALL EXTEND A MINIMUM OF 2 FEET BEYOND THE LAST BOLLARD IN A SET.
  2. MAXIMUM BOLLARD SPACING 48"
  3. DECORATIVE SLEEVE (NOT SHOWN) TO BE PLACED OVER BOLLARD PIPE.
  4. REBAR REQUIRED: 105LB



**PROPRIETARY AND CONFIDENTIAL**  
 THIS DRAWING, UNLESS OTHERWISE NOTED, REMAINS CONFIDENTIAL PROPERTY AND IS DESCRIBED AS TRADE SECRET. IT SHALL NOT BE DISCLOSED, REPRODUCED OR USED FOR MANUFACTURE, DESIGN OR CONSTRUCTION WITHOUT THE EXPRESS AUTHORIZATION OF SECUREUSA, INC. THE RECIPIENT BY ACCEPTING THIS DRAWING, ASSUMES CUSTODY THEREOF AND UNDER THE ABOVE TERMS AGREES NOT TO ALLOW USE BY UNAUTHORIZED PERSONS.  
 ©2006 SECUREUSA INC. (ALL RIGHTS RESERVED)

PATH: X:\Resource\SecureUSA Products\Product Drawing Files\Fixed Bollard\BX134\

CAD GENERATED DRAWING NO MANUAL REVISIONS ALLOWED		 <b>SecureUSA, Inc.</b> 4250 Keith Bridge Road Cumming, GA 30041 Toll Free: 888.222.4559/Facsimile: 770.889.7939 www.SecureUSA.net	
TOLERANCES UNLESS OTHERWISE SPECIFIED DIMENSIONS ARE: INCHES X/X ±1/16 X ±0.05 XX ±0.02 XXX ±0.01 XXXX ±0.001 ANGLE ±30MIN BREAK ALL SHARP EDGES DO NOT SCALE DRAWING THIRD ANGLE PROJECTION			
DRAWN BY	R.STATON	DESCRIPTION	
CHECKED	M.S.	FX3608 DECORATIVE BOLLARD	
APVD			
MATERIAL		SIZE	DWG NO
FINISH	PRIMER	<b>B</b>	SU-BX134-D8(36)-GA
DATE	8/13/2007	SCALE: 1:16	WEIGHT: 477.37
		SHEET 1 OF 1	

8 7 6 5 4 3 2 1