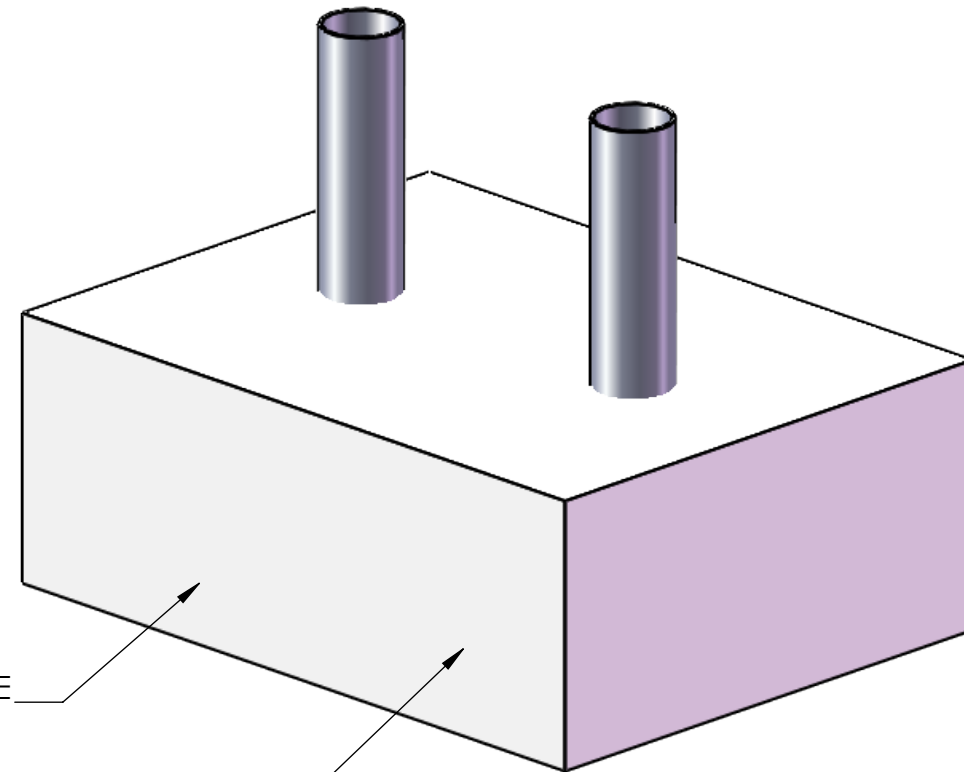


FRONT (ATTACK SIDE) VIEW

PART NO.	HEIGHT (H)
FX3010-8	30"
FX3610-8	35-1/2"



4000 PSI CONCRETE FOUNDATION

REBAR IN FOUNDATION NOT SHOWN (SEE FOUNDATION DETAIL DRAWING)

NOTES:

1. CRASH RATING: 15000LB (6800KG) @ 30MPH (50KPH) M30/K4
2. CRASH RATING BASED ON 2 BOLLARD IMPACT
3. REBAR REQUIRED IS APPROXIMATELY 160LB (73KG) PER BOLLARD
4. INSTALLATION MUST BE COMPLETED IN ACCORDANCE WITH MANUFACTURER'S SPECIFICATIONS
5. OPTIONAL DECORATIVE SLEEVE NOT SHOWN
6. ALL EXPOSED METAL IS PAINTED WITH BarrierKOTE CORROSION RESISTANT COATING

CAD GENERATED DRAWING NO MANUAL REVISIONS ALLOWED  TOLERANCES UNLESS OTHERWISE SPECIFIED DIMENSIONS ARE: INCHES X/X ±1/16 X ±0.1 XX ±0.02 XXX ±0.005  ANGLE ±30MIN BREAK ALL SHARP EDGES DO NOT SCALE DRAWING THIRD ANGLE PROJECTION			<b>SecureUSA, Inc.</b> 1649 NW 136th Ave. Sunrise, FL 33323 Toll Free: 888.222.4559 <a href="http://www.SecureUSA.net">www.SecureUSA.net</a>	
	DRAWN BY: AD CHECKED: AA APVD:	DESCRIPTION: <b>FX-3X10-8 FIXED K8 DECORATIVE BOLLARD FOUNDATION</b>		
MATERIAL: FINISH: AS PER P.O. DATE: 3/2/2020 VERSION:	SIZE: <b>B</b> DWG NO: SU-BX135-D10-3X GA REV:	SCALE: 1:24 WEIGHT: 21484.1821484.18	SHEET 1 OF 1	

**PROPRIETARY AND CONFIDENTIAL**  
 THIS DRAWING, UNLESS OTHERWISE NOTED, REMAINS CONFIDENTIAL PROPERTY AND IS DESCRIBED AS TRADE SECRET. IT SHALL NOT BE DISCLOSED, REPRODUCED OR USED FOR MANUFACTURE, DESIGN OR CONSTRUCTION WITHOUT THE EXPRESS AUTHORIZATION OF SECUREUSA, INC. THE RECIPIENT BY ACCEPTING THIS DRAWING, ASSUMES CUSTODY THEREOF AND UNDER THE ABOVE TERMS AGREES NOT TO ALLOW USE BY UNAUTHORIZED PERSONS.  
 ©2006 SECUREUSA INC. (ALL RIGHTS RESERVED)

PATH: C:\GUARDIAR\Products\USA\SUSA Product Drawing Files\Sentry Fixed Bollards\FX-3X10-8\CAD\