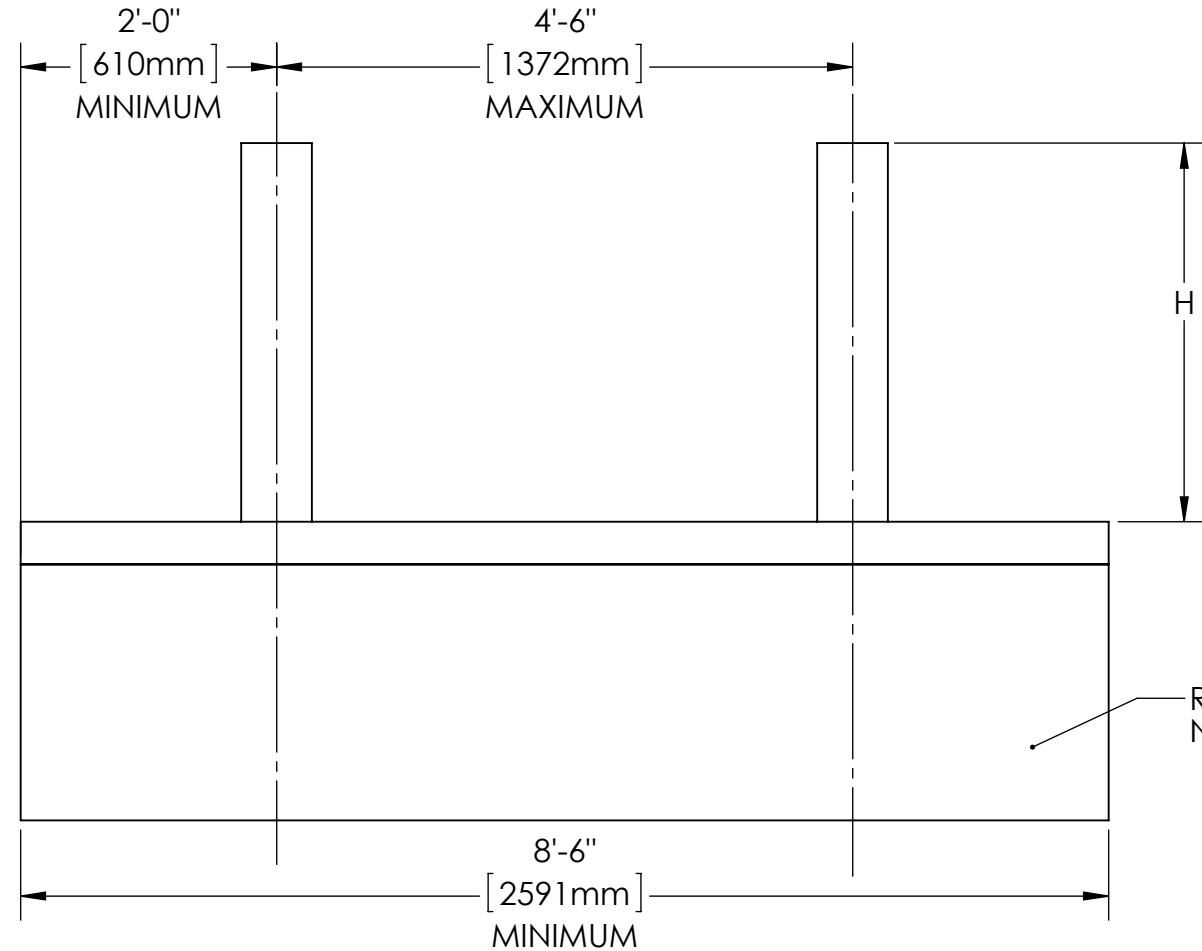
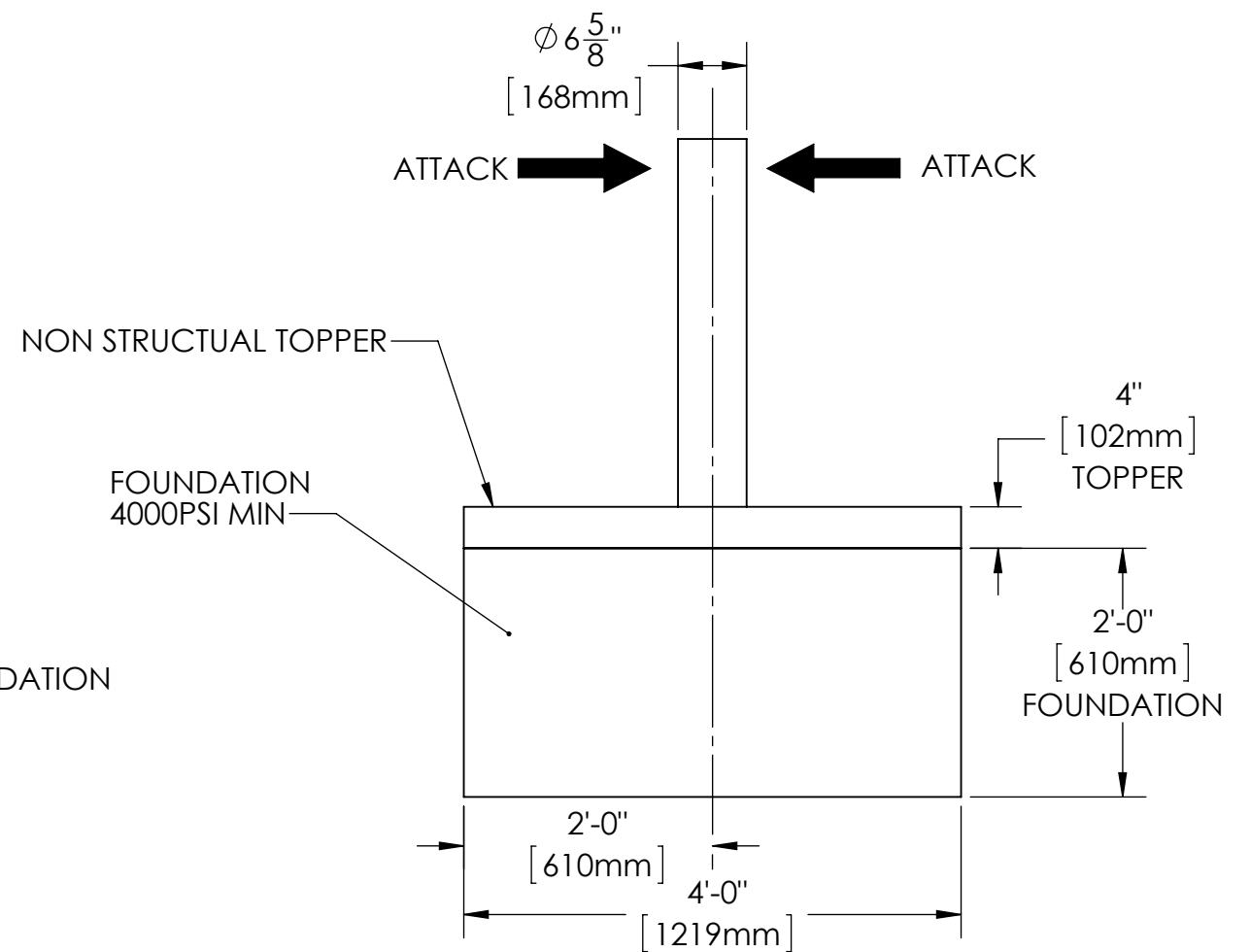


MODEL NUMBER	BOLLARD HEIGHT "H"	BOLLARD WEIGHT
FX-C40-36-D	2'-11 1/2" (902mm)	98 LB
FX-C40-30-D	2'-5 1/2" (749mm)	88 LB



**ATTACK SIDE VIEW**



**SIDE VIEW**

- NOTES:
1. CRASH RATING: 2430LB (1100KG) @ 40MPH (65KPH) C40
  2. CRASH RATING BASED ON 2 BOLLARD HIT & MINIMUM FOUNDATION LENGTH OF 8'-6"
  3. REBAR REQUIRED IS APPROXIMATELY 95LB (43KG) PER BOLLARD
  4. INSTALLATION MUST BE COMPLETED IN ACCORDANCE WITH MANUFACTURE'S SPECIFICATIONS
  5. OPTIONAL DECORATIVE SLEEVE NOT SHOWN
  6. BOLLARDS ARE CONCRETE FILLED
  7. ALL EXPOSED METAL IS PAINTED WITH BarrierKOTE CORROSION RESISTANT COATING

CAD GENERATED DRAWING  
NO MANUAL REVISIONS ALLOWED

TOLERANCES  
UNLESS OTHERWISE SPECIFIED

DIMENSIONS ARE: INCHES

X/X	±1/16
X	±0.05
XX	±0.02
XXX	±0.01
XXXX	±0.001

BREAK ALL SHARP EDGES

DO NOT SCALE DRAWING

THIRD ANGLE PROJECTION

**SecureUSA, Inc.**  
4250 Keith Bridge Road Cumming, GA 30041  
Toll Free: 888.222.4559/Facsimile: 770.889.7939  
[www.SecureUSA.net](http://www.SecureUSA.net)

 Perimeter Defense Solutions		DRAWN BY		M.S	DESCRIPTION	
		CHECKED		R.S		
MATERIAL		FINISH		SIZE		DWG NO
DATE		7/6/2011		<b>B</b>		
C40 DECORATIVE FIXED BOLLARD GENERAL ARRANGEMENT				REV		
SCALE: 1:18		WEIGHT: 12094.74		SHEET 1 OF 1		

**PROPRIETARY AND CONFIDENTIAL**

THIS DRAWING, UNLESS OTHERWISE NOTED, REMAINS CONFIDENTIAL PROPERTY AND IS DESCRIBED AS TRADE SECRET. IT SHALL NOT BE DISCLOSED, REPRODUCED OR USED FOR MANUFACTURE, DESIGN OR CONSTRUCTION WITHOUT THE EXPRESS AUTHORIZATION OF SECUREUSA, INC. THIS DRAWING IS THE PROPERTY OF SECUREUSA, INC. AND IS NOT TO BE LOANED, REPRODUCED, COPIED, REPRODUCED, OR USED FOR ANY OTHER PURPOSE WITHOUT THE EXPRESS WRITTEN PERMISSION OF SECUREUSA, INC. ©2006 SECUREUSA INC. (ALL RIGHTS RESERVED)

Resource\SecureUSA Products\Product Drawing Files\Fixed Bollard\FX (FIXED BOLLARDS)\C40\GENERAL ARRANGEMENTS