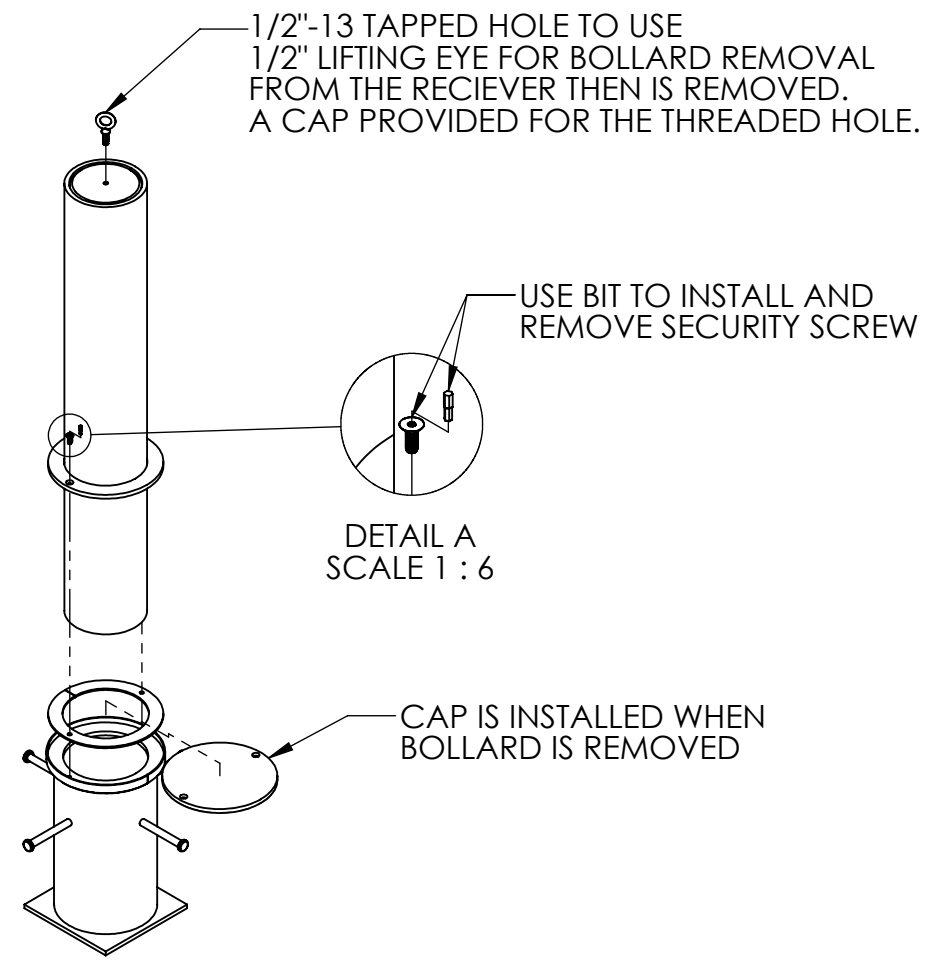


- NOTES:**
1. MAXIMUM BOLLARD SPACING IS 48"
  2. FOUNDATION SHALL EXTEND A MINIMUM OF 2 FEET BEYOND LAST BOLLARD.
  3. DECORATIVE SLEEVE NOT SHOWN.
  4. ABOVE FOUNDATION SURFACES ARE FINISHED WITH RUST INHIBITIVE PRIMER.
  5. REBAR REQUIRED: 100LBS (45KG) PER BOLLARD.
  6. INSTALLATION TO BE COMPLETED IN ACCORDANCE WITH MANUFACTURER'S SPECIFICATIONS.
  7. CRASH RATING: 15,000LBS (6750KG) @ 30MPH (64KM/H) K4/M40.
  8. BOLLARD WEIGHT: 190 LBS.
  9. CONCRETE 4000 PSI.
  10. SEE DRAWING RB-3608-4-FD FOR FOUNDATION DETAIL.

REVISIONS				
REV.	DESCRIPTION	DATE	DRAWN BY	APPROVED
A	CHANGED CONCRETE TO 4000 PSI. REMOVED REBAR DETAIL. ADDED NOTE TO REFERENCE FOUNDATION DRAWING FOR FOUNDATION DETAILS.	7/21/2014		PJR
B	FOUNDATION LENGTH WAS 60", NOW 54".	5/28/2020	AD	



**REMOVAL/INSTALLATION INSTRUCTIONS:**

1. REMOVE DECORATIVE SLEEVE (NOT SHOWN)
2. INSTALL A 1/2" EYE BOLT INTO TOP OF BOLLARD
3. REMOVE (2) SECURITY SCREWS
4. REMOVE BOLLARD USING A FORK LIFT (190 LB)
5. INSTALL RECEIVER CAP USING (2) SECURITY SCREWS
6. REVERSE STEPS 1-5 FOR BOLLARD INSTALLATION

**PROPRIETARY AND CONFIDENTIAL**  
 THIS DRAWING, UNLESS OTHERWISE NOTED, REMAINS CONFIDENTIAL PROPERTY AND IS DESCRIBED AS TRADE SECRET. IT SHALL NOT BE DISCLOSED, REPRODUCED OR USED FOR MANUFACTURE, DESIGN OR CONSTRUCTION WITHOUT THE EXPRESS AUTHORIZATION OF SECUREUSA, INC. THE RECIPIENT BY ACCEPTING THIS DRAWING, ASSUMES CUSTODY THEREOF AND UNDER THE ABOVE TERMS AGREES NOT TO ALLOW USE BY UNAUTHORIZED PERSONS.  
 ©2006 SECUREUSA INC. (ALL RIGHTS RESERVED)



PATH: C:\GUARDIAR\Products\USA\SUSA Product Drawing Files\Sentry Fixed Bollards\RB-360X-4\CAD\

CAD GENERATED DRAWING NO MANUAL REVISIONS ALLOWED		<p><b>SecureUSA, Inc.</b>                  4250 Keith Bridge Road Cumming, GA 30041                  Toll Free: 888.222.4559/Facsimile: 770.889.7939                  www.SecureUSA.net</p>	
TOLERANCES UNLESS OTHERWISE SPECIFIED DIMENSIONS ARE: INCHES X/X ±1/16 X ±0.05 XX ±0.02 XXX ±0.01 XXXX ±0.001 ANGLE ±30MIN BREAK ALL SHARP EDGES DO NOT SCALE DRAWING THIRD ANGLE PROJECTION			
		SCALE: 1:20 WEIGHT: 386.72	SHEET 1 OF 1