

MODEL NUMBER	BOLLARD HEIGHT (H)	BOLLARD WEIGHT	SHIPPING WEIGHT
RB-PU40-36-D	2'-11 1/2" (902mm)	153LB	280LB
RB-PU40-30-D	2'-5 1/2" (749mm)	139LB	266LB

REMOVAL INSTRUCTIONS:

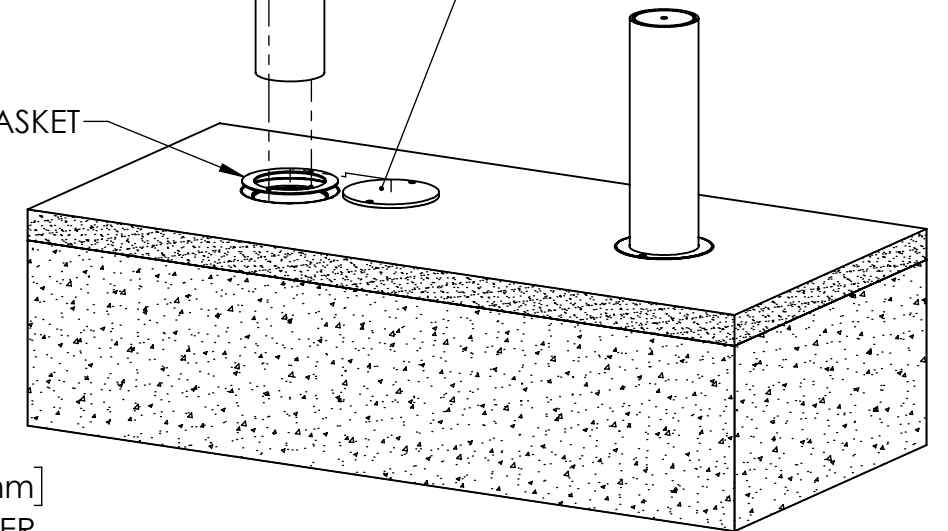
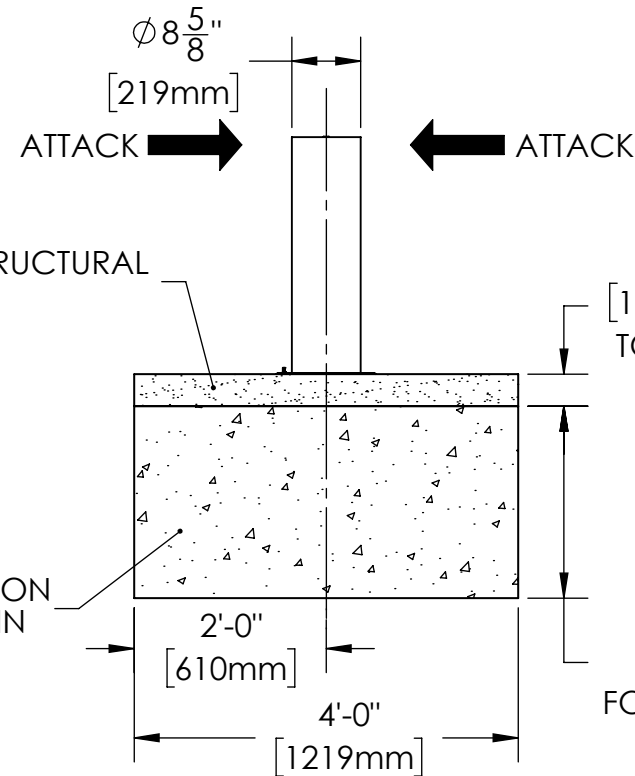
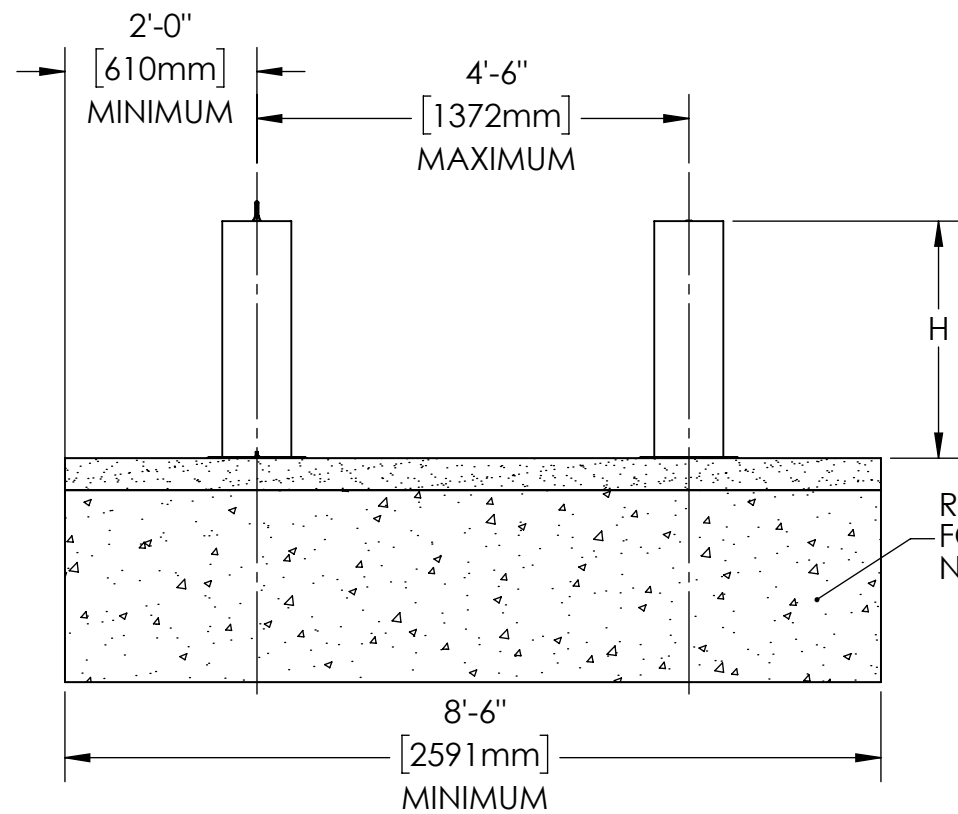
1. REMOVE DECORATIVE SLEEVE
2. INSTALL LIFTING EYE
3. REMOVE SECURITY SCREWS
4. REMOVE BOLLARD USING A FORKLIFT OR 2 MEN
5. INSTALL RECEIVER CAP AND SECURITY SCREWS
6. REVERSE STEPS 1-5 FOR BOLLARD INSTALLATION

LIFTING EYE INSTALLED FOR REMOVING BOLLARD

SECURITY FASTENERS

CAP INSTALLED WHEN BOLLARD IS REMOVED

GASKET



NOTES:

1. CRASH RATING: 5070LB (2299KG) @ 40MPH (65KPH) PU40
2. CRASH RATING BASED ON 2 BOLLARD HIT & MINIMUM FOUNDATION LENGTH OF 8'-6"
3. REBAR REQUIRED IS APPROXIMATELY 95LB (43KG)# 5 REBAR PER BOLLARD
4. INSTALLATION MUST BE COMPLETED IN ACCORDANCE WITH MANUFACTURE'S SPECIFICATIONS
5. OPTIONAL DECORATIVE SLEEVE NOT SHOWN
6. ALL EXPOSED METAL IS PAINTED WITH BarrierKOTE CORROSION RESISTANT COATING

CAD GENERATED DRAWING
NO MANUAL REVISIONS ALLOWED

TOLERANCES
UNLESS OTHERWISE SPECIFIED

DIMENSIONS ARE: INCHES

X/X	±1/16
X	±0.05
XX	±0.02
XXX	±0.01
XXXX	±0.001

ANGLE ±30MIN

BREAK ALL SHARP EDGES

DO NOT SCALE DRAWING

THIRD ANGLE PROJECTION

SecureUSA, Inc.
4250 Keith Bridge Road Cumming, GA 30041
Toll Free: 888.222.4559/Facsimile: 770.889.7939
www.SecureUSA.net

DRAWN BY	R.STATON	DESCRIPTION	
CHECKED	MLM	PU40 REMOVABLE DECORATIVE BOLLARD GENERAL ARRANGEMENT	
APVD		SIZE	DWG NO
MATERIAL		B	RB-PU40-D-GA
FINISH		SCALE: 1:24	WEIGHT: 247.68247.68
DATE	8/24/2011	SHEET 1 OF 1	

PROPRIETARY AND CONFIDENTIAL

THIS DRAWING, UNLESS OTHERWISE NOTED, REMAINS CONFIDENTIAL PROPERTY AND IS DESCRIBED AS TRADE SECRET. IT SHALL NOT BE DISCLOSED, REPRODUCED OR USED FOR MANUFACTURE, DESIGN OR CONSTRUCTION WITHOUT THE EXPRESS AUTHORIZATION OF SECUREUSA, INC. THE RECIPIENT BY ACCEPTING THIS DRAWING, ASSUMES CUSTODY THEREOF AND UNDER THE ABOVE TERMS AGREES NOT TO ALLOW USE BY UNAUTHORIZED PERSONS.

©2006 SECUREUSA INC. (ALL RIGHTS RESERVED)

Path: C:\GUARDIAR\Products\USA\SUSA Product Drawing Files\Sentry Fixed Bollards\RB-PU40-D3X\CAD\