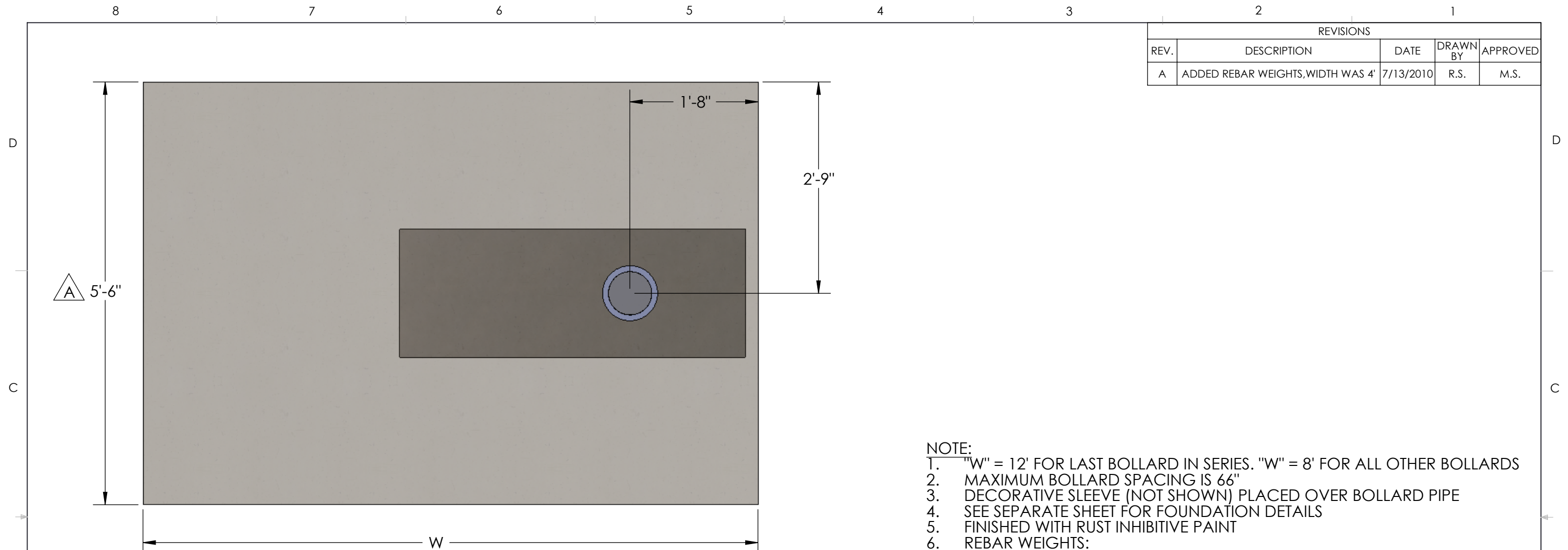
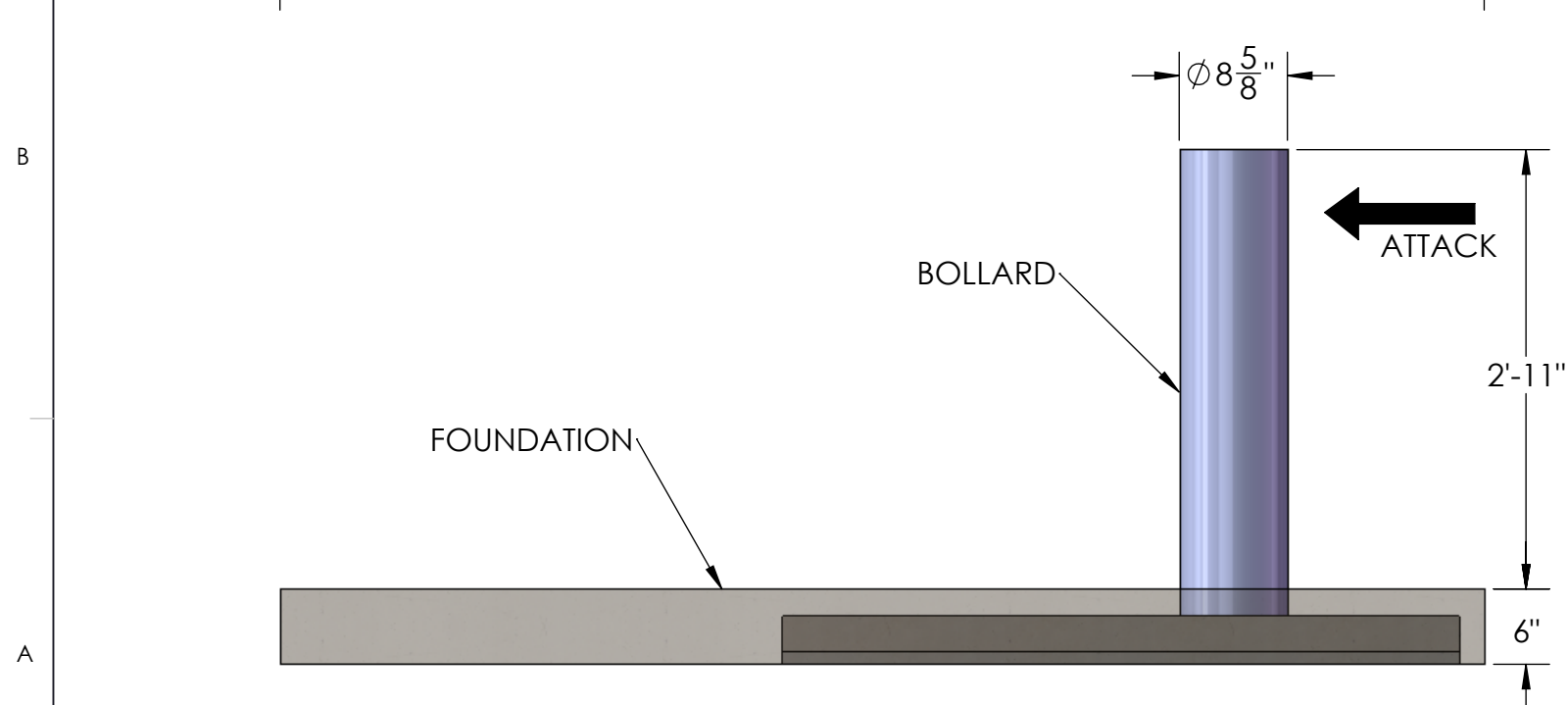


REVISIONS				
REV.	DESCRIPTION	DATE	DRAWN BY	APPROVED
A	ADDED REBAR WEIGHTS, WIDTH WAS 4'	7/13/2010	R.S.	M.S.


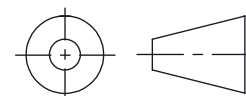


- NOTE:**
- "W" = 12' FOR LAST BOLLARD IN SERIES. "W" = 8' FOR ALL OTHER BOLLARDS
 - MAXIMUM BOLLARD SPACING IS 66"
 - DECORATIVE SLEEVE (NOT SHOWN) PLACED OVER BOLLARD PIPE
 - SEE SEPARATE SHEET FOR FOUNDATION DETAILS
 - FINISHED WITH RUST INHIBITIVE PAINT
 - REBAR WEIGHTS:
 - END CONDITION = 1152LB
 - CENTER CONDITION = 336LB



PROPRIETARY AND CONFIDENTIAL
 THIS DRAWING, UNLESS OTHERWISE NOTED, REMAINS CONFIDENTIAL PROPERTY AND IS DESCRIBED AS TRADE SECRET. IT SHALL NOT BE DISCLOSED, REPRODUCED OR USED FOR MANUFACTURE, DESIGN OR CONSTRUCTION WITHOUT THE EXPRESS AUTHORIZATION OF SECUREUSA, INC.
 THE RECIPIENT BY ACCEPTING THIS DRAWING, ASSUMES CUSTODY THEREOF AND UNDER THE ABOVE TERMS AGREES NOT TO ALLOW USE BY UNAUTHORIZED PERSONS.
 ©2006 SECUREUSA INC. (ALL RIGHTS RESERVED)

PATH: A:\Product Drawing Files\Fixed Bollard\SU-SSB\3608\

CAD GENERATED DRAWING NO MANUAL REVISIONS ALLOWED		 SecureUSA, Inc. 4250 Keith Bridge Road Cumming, GA 30041 Toll Free: 888.222.4559/Facsimile: 770.889.7939 www.SecureUSA.net	
TOLERANCES UNLESS OTHERWISE SPECIFIED			
DIMENSIONS ARE: INCHES X/X ±1/16 X ±0.05 XX DWN ±0.02 XXX ±0.01 XXXX ±0.001 ANGLE ±30MIN BREAK ALL SHARP EDGES		DRAWN BY	M.S.
DO NOT SCALE DRAWING		CHECKED	R.S.
THIRD ANGLE PROJECTION		APVD	
		MATERIAL	
		FINISH	
		DATE	2/25/2009
		DESCRIPTION	36" H X 8" DIA K4 SUPER SHALLOW BOLLARD
SIZE	DWG NO	REV	
B	SU-SSB-3608-K4-GA	A	
SCALE: 1:15		WEIGHT: 6081.03	SHEET 1 OF 1