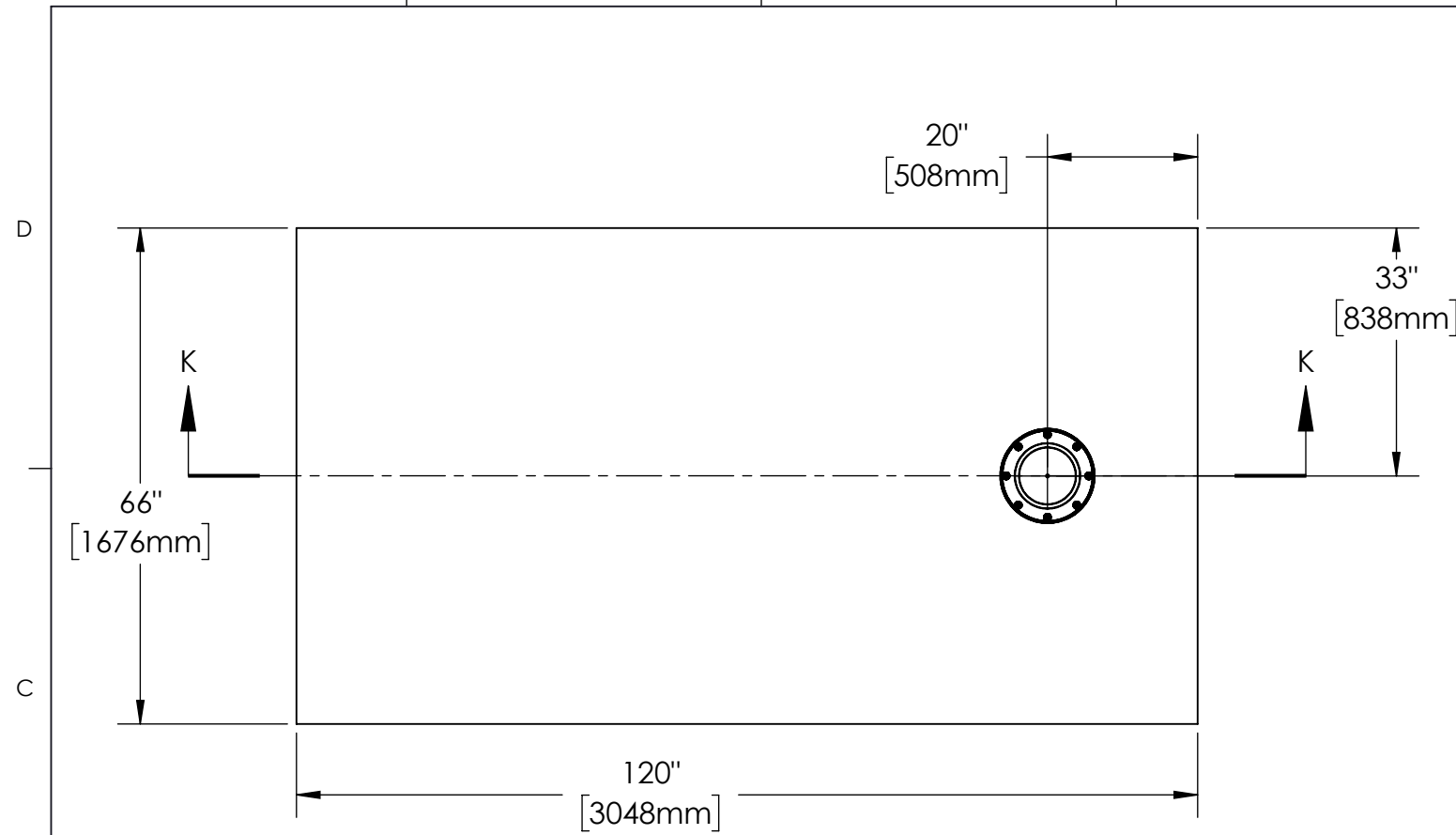
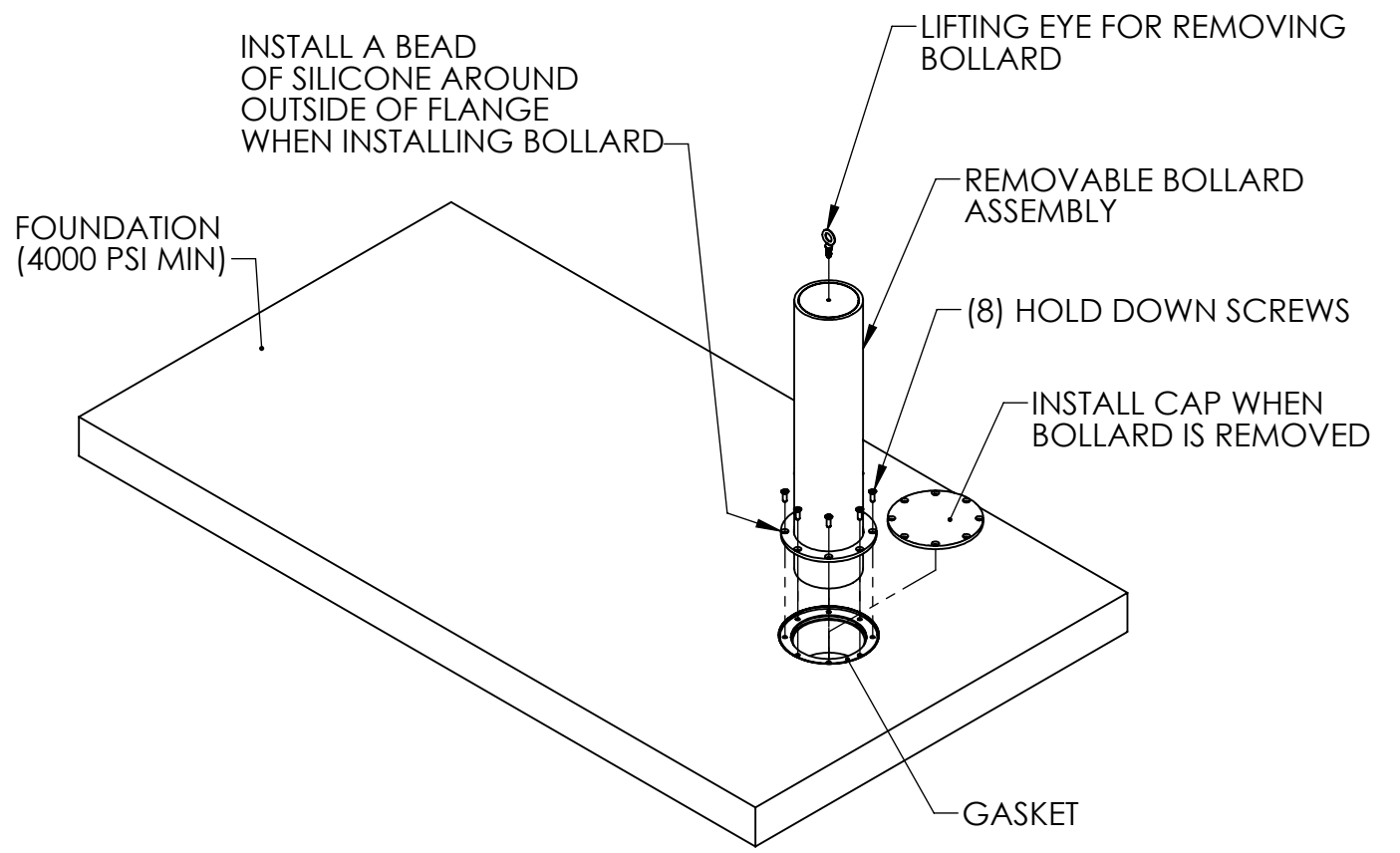
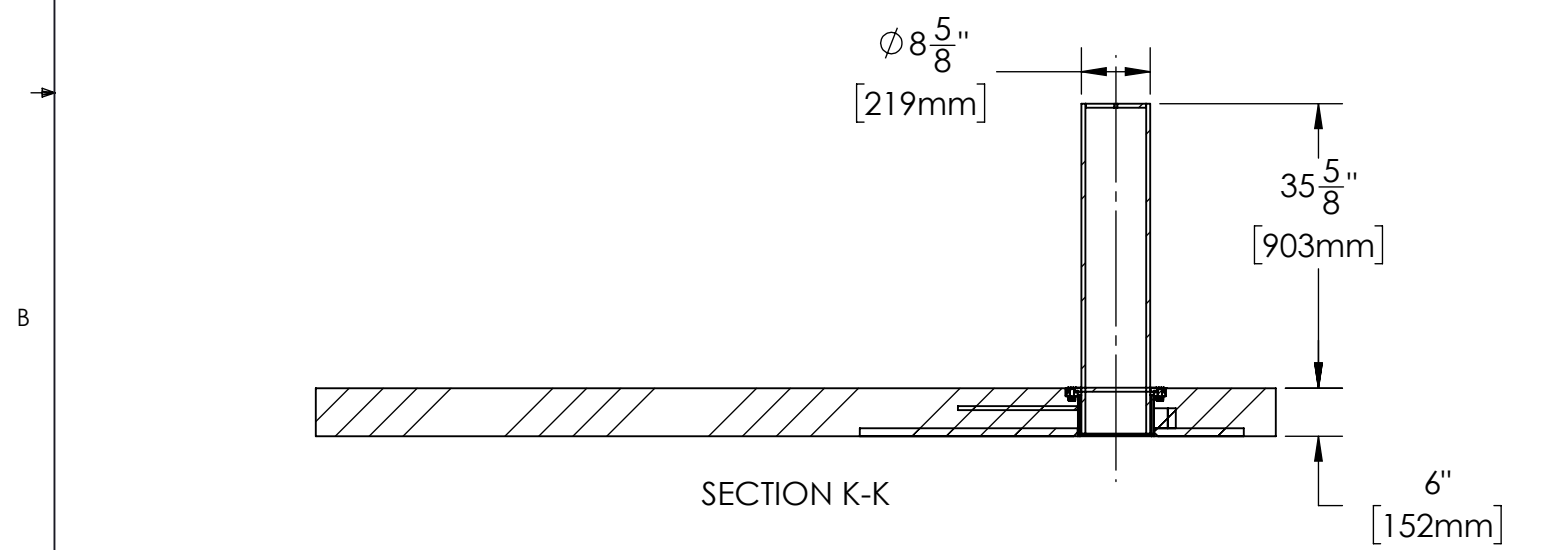


REVISIONS				
REV.	DESCRIPTION	DATE	DRAWN BY	APPROVED
A	ADDED THE USE OF LIFTING TOOL	8/23/2010	R.S.	M.S.
B	REVISED HOLD DOWN AND MATING SURFACE	9/21/2010	R.S.	M.S.
C	ADDED HOLD DOWN SCREWS	7/21/2011	R.S.	R.H
D	DESCRIPTION WAS FOR A 30" BOLLARD	8/30/2011	R.S.	M.S.



- REMOVAL INSTRUCTIONS:**
1. REMOVE DECORATIVE SLEEVE
 2. INSTALL LIFTING EYE
 3. CUT AROUND SILICONE SEAL
 4. REMOVE (8) HOLD DOWN SCREWS
 5. REMOVE BOLLARD USING A HOIST
 6. INSTALL RECEIVER CAP AND HOLD DOWN SCREWS
 7. REVERSE PROCEDURE WHEN INSTALLING BOLLARD
 8. INSTALL A FRESH BEAD OF SILICONE SEAL AROUND FLANGE AFTER INSTALLATION
 9. USE ANTI-SEIZE PASTE WHEN INSTALLING HOLD DOWN SCREWS



- NOTES:**
1. OPTIONAL DECORATIVE SLEEVE NOT SHOWN.
 2. HEIGHT WITH SLEEVE IS 36".
 3. BOLLARD ASSEMBLY WEIGHT: 161LB
 4. ENGINEERED K4 (M 30) RATING.
 5. MAXIMUM BOLLARD SPACING 66".
 6. REBAR REQUIRED 283LB/BOLLARD.
 7. SEE SEPARATE SHEET FOR FOUNDATION DETAILS.
 8. ALL EXPOSED METAL IS PAINTED WITH BarrierKOTE CORROSION RESISTANT COATING

PROPRIETARY AND CONFIDENTIAL
 THIS DRAWING, UNLESS OTHERWISE NOTED, REMAINS CONFIDENTIAL PROPERTY AND IS DESCRIBED AS TRADE SECRET. IT SHALL NOT BE DISCLOSED, REPRODUCED OR USED FOR MANUFACTURE, DESIGN OR CONSTRUCTION WITHOUT THE EXPRESS AUTHORIZATION OF SECUREUSA, INC. THE RECIPIENT BY ACCEPTING THIS DRAWING, ASSUMES CUSTODY THEREOF AND UNDER THE ABOVE TERMS AGREES NOT TO ALLOW USE BY UNAUTHORIZED PERSONS.
 ©2006 SECUREUSA INC. (ALL RIGHTS RESERVED)

PATH: C:\GUARDIAR\Products\USA\SUSA Product Drawing Files\SideWALK Bollards\RSSB-3X08-4\CAD\

CAD GENERATED DRAWING NO MANUAL REVISIONS ALLOWED		SecureUSA, Inc. 4250 Keith Bridge Road Cumming, GA 30041 Toll Free: 888.222.4559/Facsimile: 770.889.7939 www.SecureUSA.net	
TOLERANCES UNLESS OTHERWISE SPECIFIED DIMENSIONS ARE: INCHES X/X ±1/16 X ±0.05 XX ±0.02 XXX ±0.01 XXXX ±0.001 ANGLE ±30MIN BREAK ALL SHARP EDGES DO NOT SCALE DRAWING THIRD ANGLE PROJECTION			
DRAWN BY	R.STATON	DESCRIPTION K4 REMOVABLE SUPER SHALLOW BOLLARD FOUNDATION GENERAL ARRANGEMENT	
CHECKED	M.S.		
APVD		SIZE	DWG NO
MATERIAL		B	SU-RSSB-3608-6K4-GA
FINISH		REV	D
DATE	4/21/2010	SCALE: 1:24 WEIGHT: 46.7212	
		SHEET 1 OF 1	