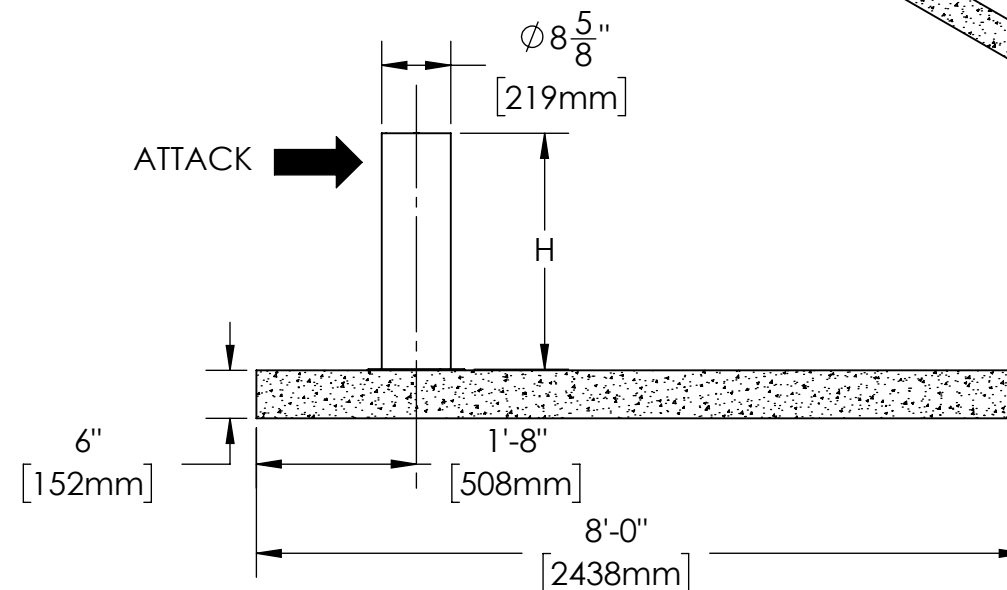
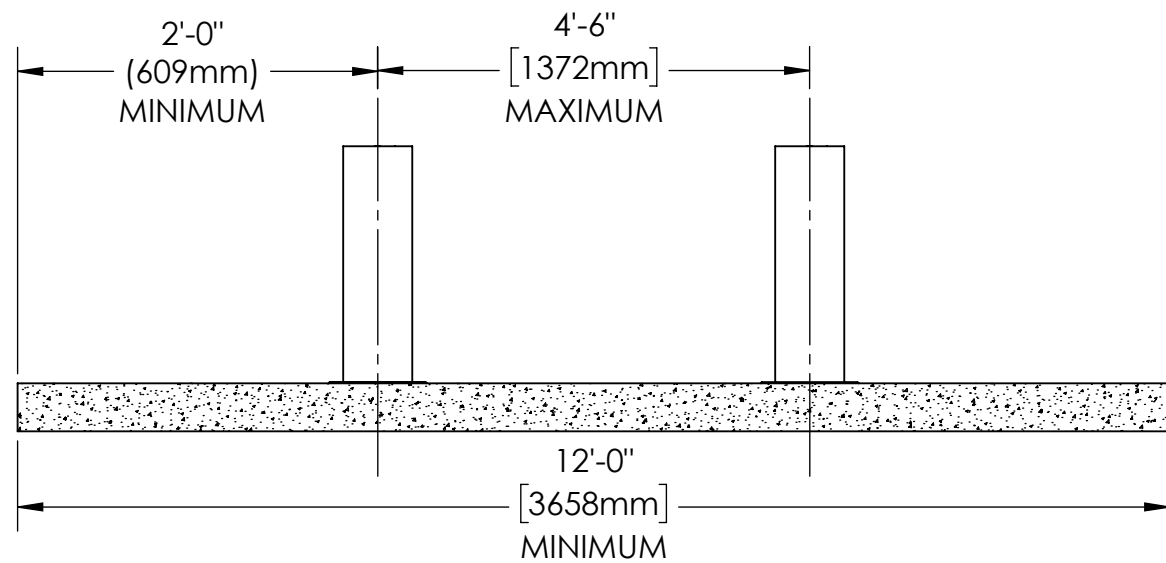
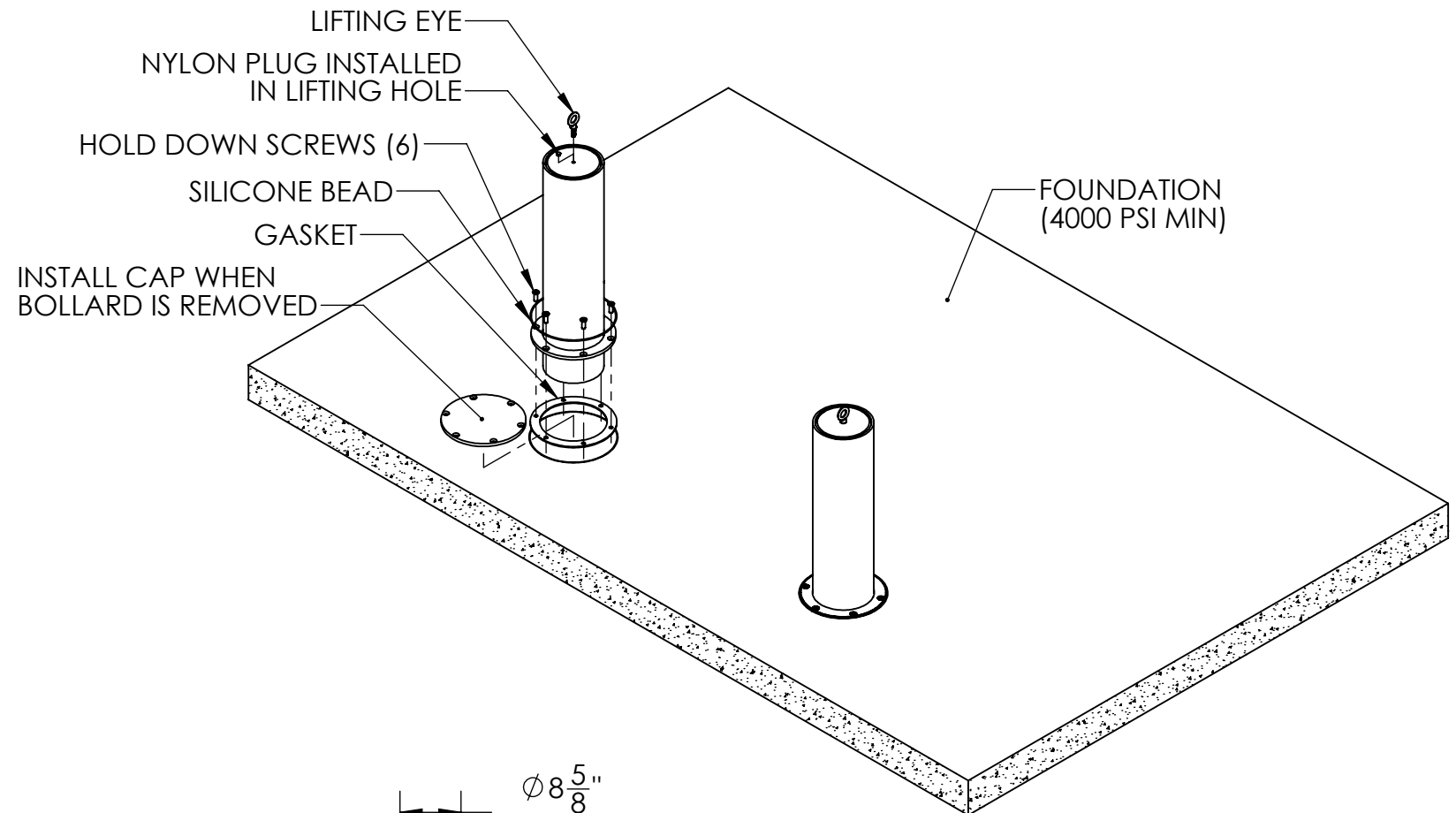


MODEL NUMBER	BOLLARD HEIGHT "H"	BOLLARD WEIGHT	SHIPPING WEIGHT
RSSB-PU40-36-D	2'-11 1/2" (902mm)	112 LB	417 LB
RSSB-PU40-30-D	2'-5 1/2" (749mm)	97 LB	402 LB


REMOVAL INSTRUCTIONS:

1. REMOVE DECORATIVE SLEEVE
2. INSTALL LIFTING EYE
3. CUT AROUND SILICONE SEAL
4. REMOVE (6) HOLD DOWN SCREWS
5. REMOVE BOLLARD USING A FORKLIFT OR 2 MEN
6. INSTALL RECEIVER CAP AND HOLD DOWN SCREWS
7. REVERSE STEPS 1-6 FOR BOLLARD INSTALLATION
8. INSTALL FRESH BEAD OF SILICONE SEAL AROUND FLANGE
9. USE ANTI-SEIZE PASTE WHEN INSTALLING HOLD DOWN SCREW



NOTES:

1. CRASH RATING: 5070LB (2300KG) @ 40MPH (65KPH) PU40
2. CRASH RATING BASED ON 2 BOLLARD HIT & MINIMUM FOUNDATION LENGTH OF 12 FT
3. REBAR REQUIRED IS APPROXIMATELY 185LB (84KG) # 5 REBAR PER BOLLARD
4. INSTALLATION MUST BE COMPLETED IN ACCORDANCE WITH MANUFACTURE'S SPECIFICATIONS
5. OPTIONAL DECORATIVE SLEEVE NOT SHOWN
6. ALL EXPOSED METAL IS PAINTED WITH BarrierKOTE CORROSION RESISTANT COATING

CAD GENERATED DRAWING NO MANUAL REVISIONS ALLOWED		 SecureUSA, Inc. 4250 Keith Bridge Road Cumming, GA 30041 Toll Free: 888.222.4559/Facsimile: 770.889.7939 www.SecureUSA.net	
TOLERANCES UNLESS OTHERWISE SPECIFIED DIMENSIONS ARE: INCHES X/X ±1/16 X ±0.05 XX ±0.02 XXX ±0.01 XXXX ±0.001 ANGLE ±30MIN BREAK ALL SHARP EDGES DO NOT SCALE DRAWING THIRD ANGLE PROJECTION			
DRAWN BY	M.S	PU40 DECORATIVE REMOVABLE SUPER SHALLOW BOLLARD GENERAL ARRANGEMENT	
CHECKED	R.S		
APVD		SIZE	DWG NO
MATERIAL		B	RSSB-PU40-D3X GA
FINISH		SCALE: 1:24	WEIGHT: 10071.8410071.84
DATE	12/2/2011	SHEET 1 OF 1	

PATH: C:\GUARDIAR\Products\USA\SUSA Product Drawing Files\SideWALK Bollards\RSSB-PU40-D3X\CAD\

PROPRIETARY AND CONFIDENTIAL
 THIS DRAWING, UNLESS OTHERWISE NOTED, REMAINS CONFIDENTIAL PROPERTY AND IS DESCRIBED AS TRADE SECRET. IT SHALL NOT BE DISCLOSED, REPRODUCED OR USED FOR MANUFACTURE, DESIGN OR CONSTRUCTION WITHOUT THE EXPRESS AUTHORIZATION OF SECUREUSA, INC. THE RECIPIENT BY ACCEPTING THIS DRAWING, ASSUMES CUSTODY THEREOF AND UNDER THE ABOVE TERMS AGREES NOT TO ALLOW USE BY UNAUTHORIZED PERSONS.
 ©2006 SECUREUSA INC. (ALL RIGHTS RESERVED)