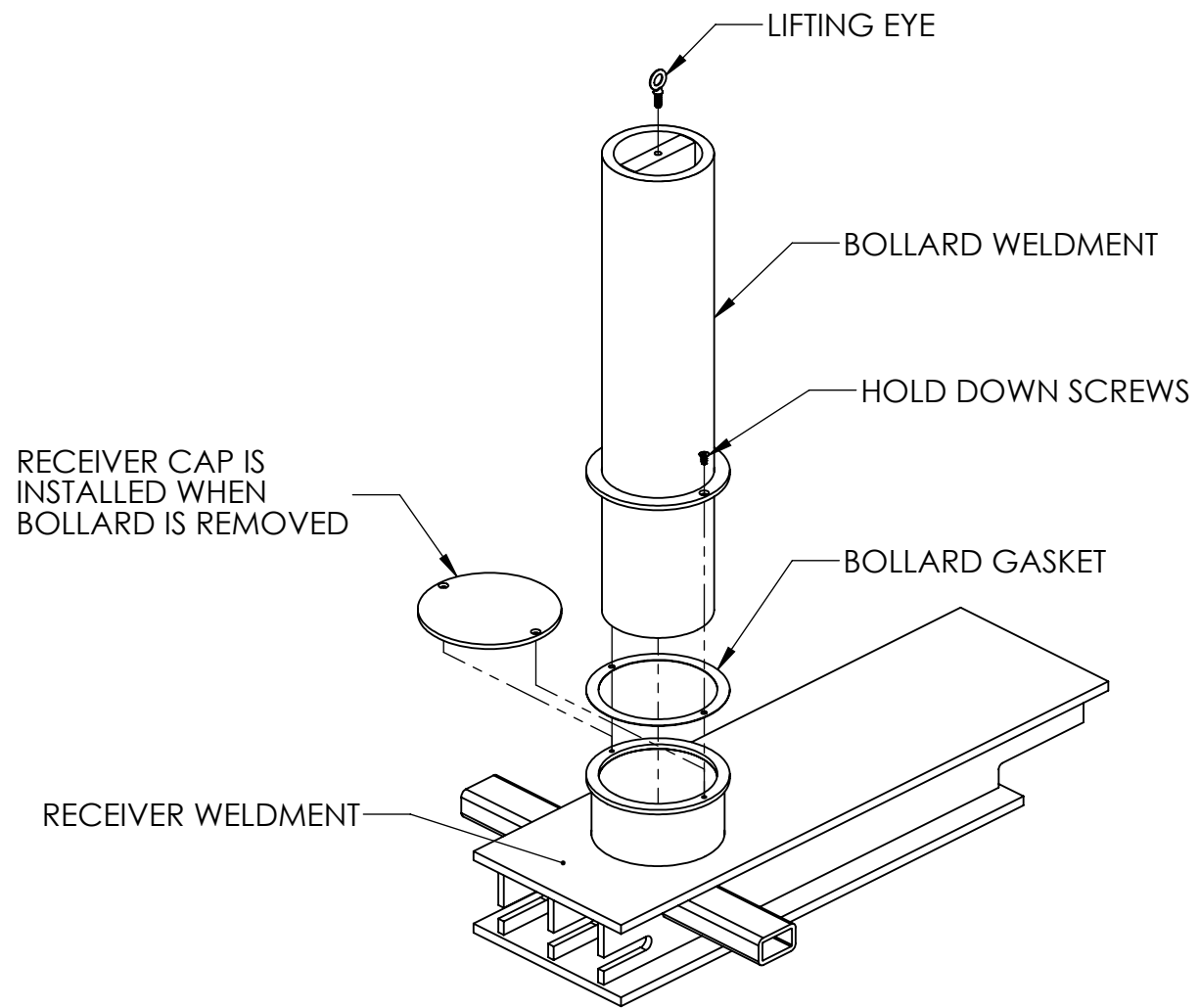
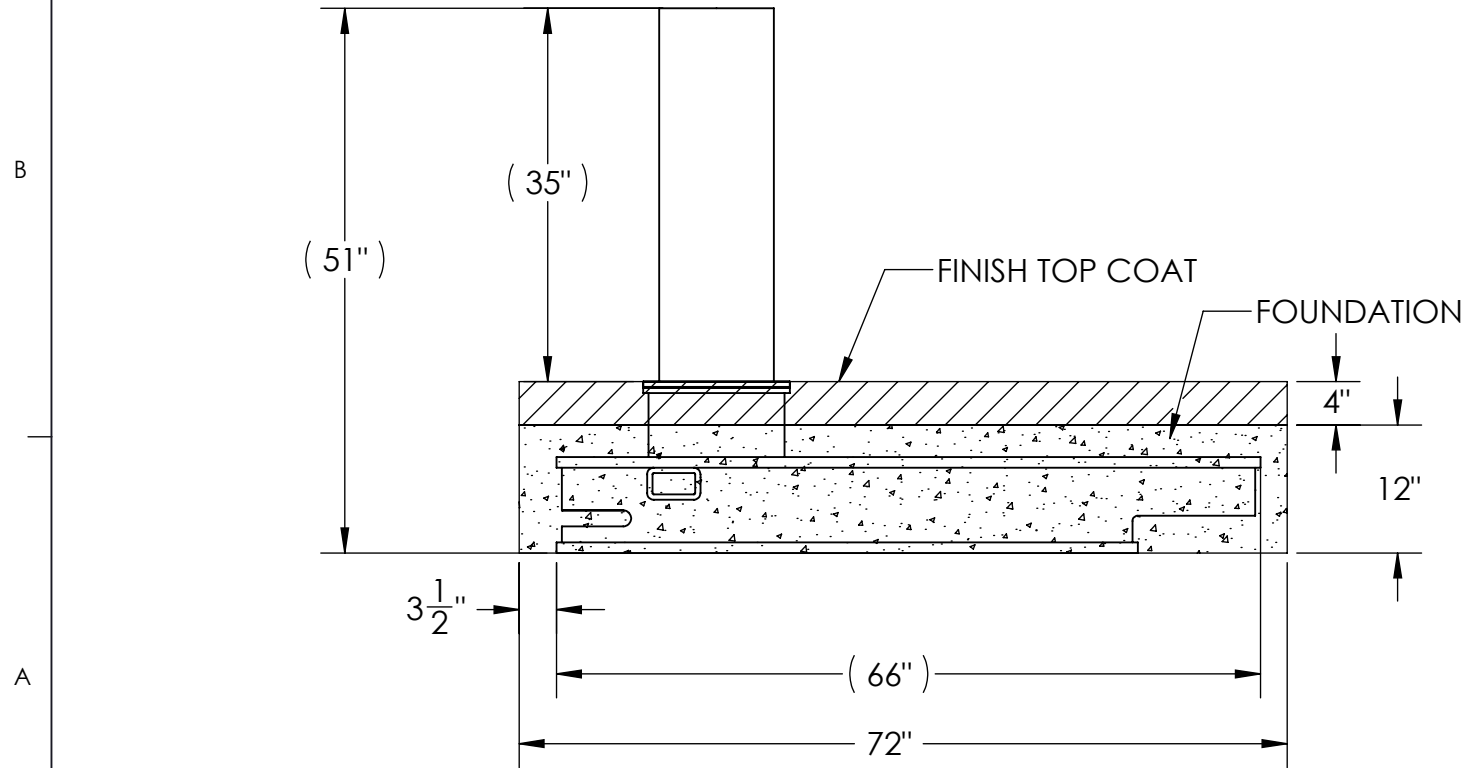


- NOTE:
1. MAXIMUM BOLLARD SPACING IS 54".
 2. FOUNDATION SHALL EXTEND A MINIMUM OF 2FT BEYOND THE LAST BOLLARD IN A SET.
 3. SEE SEPARATE SHEET FOR FOUNDATION DETAILS.



- REMOVAL INSTRUCTIONS:
1. REMOVE THE DECORATIVE SLEEVE (NOT SHOWN).
 2. INSTALL 1/2" LIFTING EYE BOLT INTO THE TOP OF THE BOLLARD.
 3. REMOVE (2) FLAT HEAD MOUNTING SCREWS.
 4. REMOVE THE BOLLARD (750LBS) USING A LIFTING STRAP AND FORK LIFT.
 5. INSTALL RECEIVER CAP USING (2) FLAT HEAD SCREWS.
 6. REVERSE STEPS 1-5 TO INSTALL.

PROPRIETARY AND CONFIDENTIAL
 THIS DRAWING, UNLESS OTHERWISE NOTED, REMAINS CONFIDENTIAL PROPERTY AND IS DESCRIBED AS TRADE SECRET. IT SHALL NOT BE DISCLOSED, REPRODUCED OR USED FOR MANUFACTURE, DESIGN OR CONSTRUCTION WITHOUT THE EXPRESS AUTHORIZATION OF SECUREUSA, INC. THE RECIPIENT BY ACCEPTING THIS DRAWING, ASSUMES CUSTODY THEREOF AND UNDER THE ABOVE TERMS AGREES NOT TO ALLOW USE BY UNAUTHORIZED PERSONS.
 ©2006 SECUREUSA INC. (ALL RIGHTS RESERVED)

PATH: N:\SecureUSA Products\Product Drawing Files\Fixed Bollard\SU-RSWB3610-K12\

CAD GENERATED DRAWING NO MANUAL REVISIONS ALLOWED		 SecureUSA Inc. Perimeter Defense Solutions		4250 Keith Bridge Road Cumming, GA 30041 Toll Free: 888.222.4559/Facsimile: 770.889.7939 www.SecureUSA.net	
TOLERANCES UNLESS OTHERWISE SPECIFIED DIMENSIONS ARE: INCHES X/X ±1/16 X ±0.05 XX ±0.02 XXX ±0.01 XXXX ±0.001 ANGLE ±30MIN BREAK ALL SHARP EDGES DO NOT SCALE DRAWING THIRD ANGLE PROJECTION				DRAWN BY: R.STATON CHECKED: M.S. APVD:	DESCRIPTION: 10" REMOVABLE BOLLARD 36" TALL K12 GENERAL ARRANGEMENT
		MATERIAL: FINISH: DATE: 5/11/2009	SCALE: 1:18 WEIGHT: 1805.91		SHEET 1 OF 1