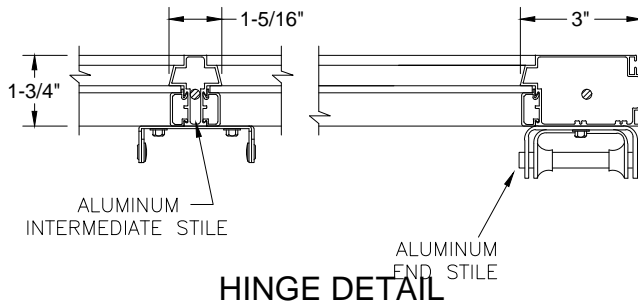


SIDE ELEVATION OF DOOR



GENERAL NOTES:

DOORS ARE CONSTRUCTED OF (BOX SHAPED) ALUMINUM EXTRUSIONS FROM 6063-T6 ALLOY. EXTRUSIONS TO BE MINIMUM .045" WALL THICKNESS WITH .125" WALL THICKNESS WHEREVER HARDWARE ATTACHES. STILES AND RAILS ARE FACTORY ASSEMBLED WITH THRU-BOLT CONSTRUCTION.

STANDARD FINISH IS CLEAR ANODIZED, OTHER FINISHES AVAILABLE. SOLID PANELS ARE MANUFACTURED FROM 18 GA. STUCCO EMBOSSED OR SMOOTH ALUMINUM SHEETS TO MATCH DOOR FINISH.

GLAZING, GLASS OR PANELS TO BE SET IN HOT MELT SEALANT AND HELD IN PLACE BY VINYL SNAP-IN BEAD.

MODEL NUMBER

CA110

320 Sycamore St.
Wauseon, Ohio 43567
© Copyright 2017

