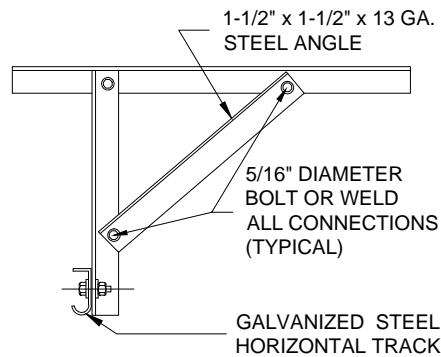
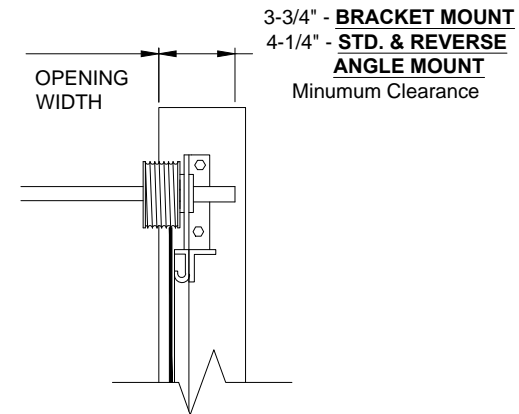


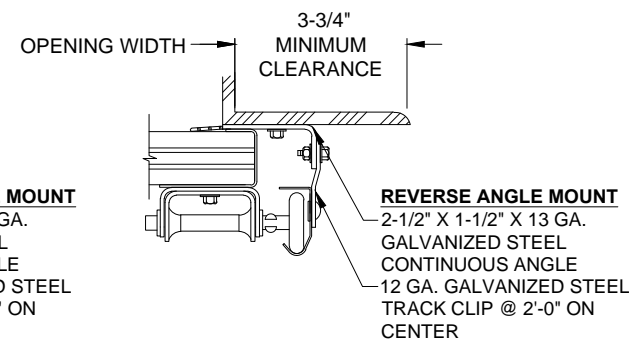
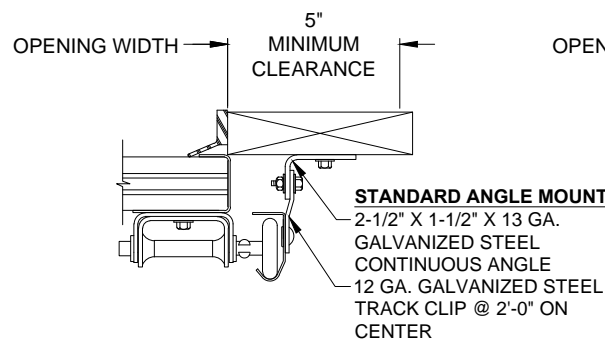
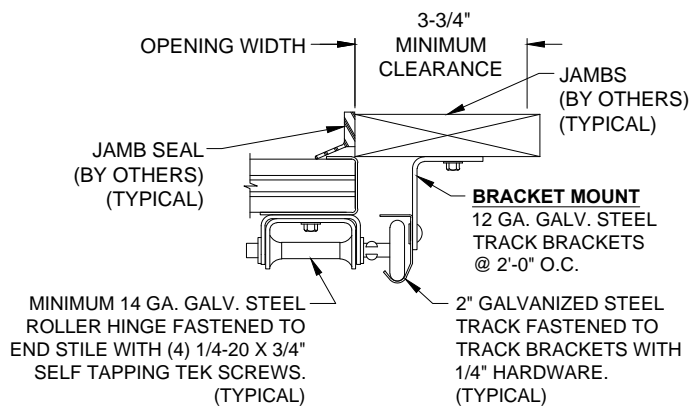
### HIGH LIFT



### HORIZONTAL TRACK SUPPORT



### DRUM SIDE ROOM CLEARANCE



### TRACK SIDE ROOM CLEARANCE

2" HIGH LIFT STRAIGHT & BREAKAWAY INCLINE BRACKET AND STD. & REVERSE ANGLE MOUNT

320 Sycamore St.  
Wauseon, Ohio 43567  
© Copyright 2017

