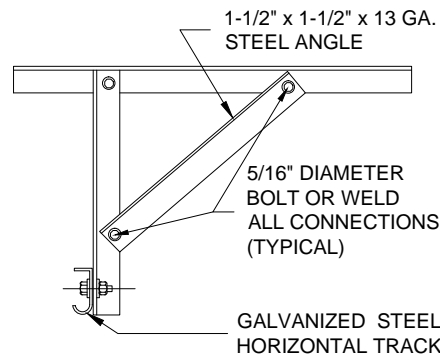
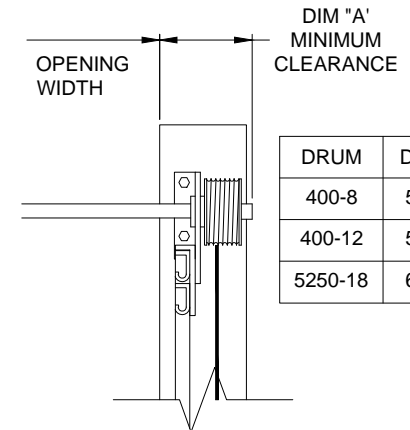


LOW HEADROOM FRONT

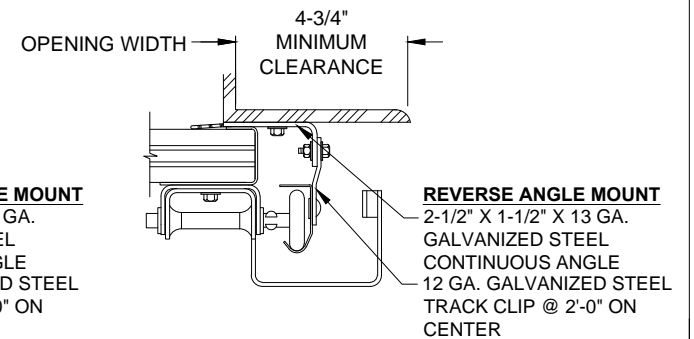
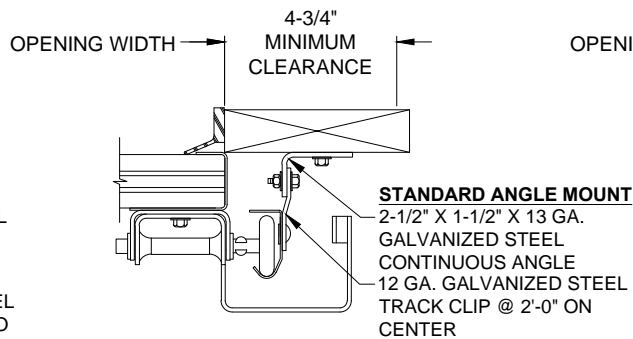
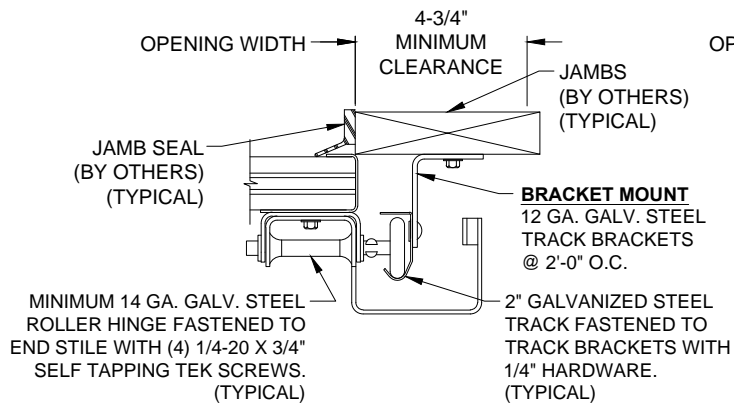


HORIZONTAL TRACK SUPPORT



DRUM	DIM "A"
400-8	5-1/4"
400-12	5-7/8"
5250-18	6-3/4"

DRUM SIDE ROOM CLEARANCE



TRACK SIDE ROOM CLEARANCE

**2" LOW HEADROOM FRONT
BRACKET AND STD. & REVERSE ANGLE MOUNT**

320 Sycamore St.
Wauseon, Ohio 43567
© Copyright 2017

