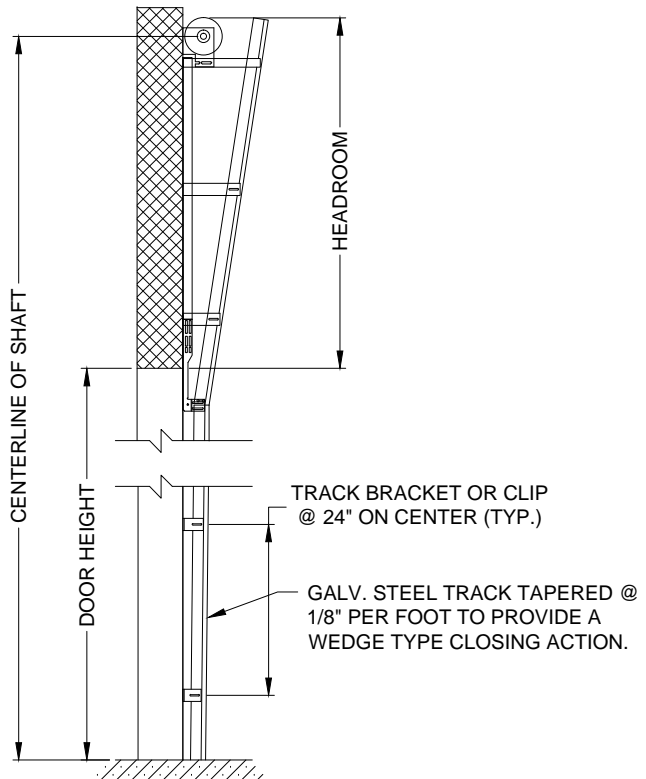


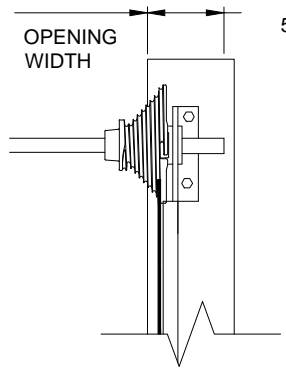
**STRAIGHT INCLINE**



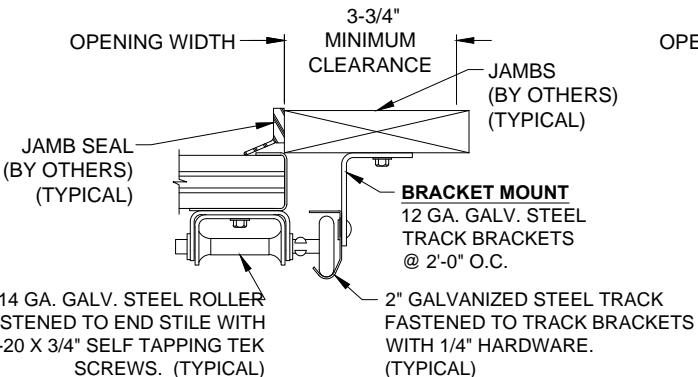
**BREAKAWAY INCLINE**

**VERTICAL LIFT**

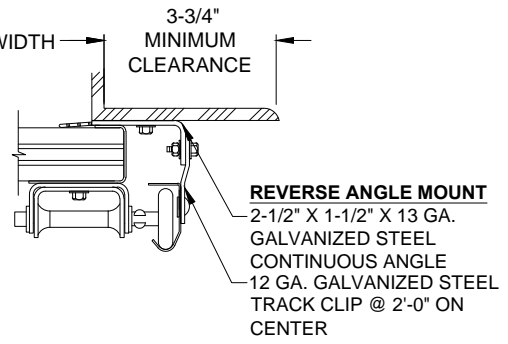
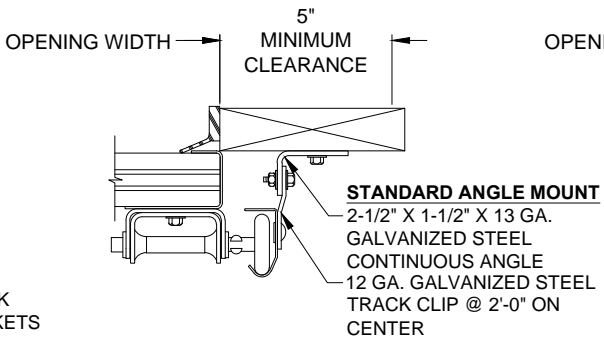
- 3-3/4" - **BRACKET MOUNT**
  - 4-1/4" - **REVERSE ANGLE MOUNT**
  - 5" - **STANDARD ANGLE MOUNT**
- Minimum Clearance



**DRUM SIDE ROOM CLEARANCE**



MINIMUM 14 GA. GALV. STEEL ROLLER HINGE FASTENED TO END STILE WITH (4) 1/4-20 X 3/4" SELF TAPPING TEK SCREWS. (TYPICAL)



**TRACK SIDE ROOM CLEARANCE**

**2" VERTICAL LIFT STRAIGHT & BREAKAWAY INCLINE BRACKET AND STD. & REVERSE ANGLE MOUNT**

320 Sycamore St.  
Wauseon, Ohio 43567  
© Copyright 2017

