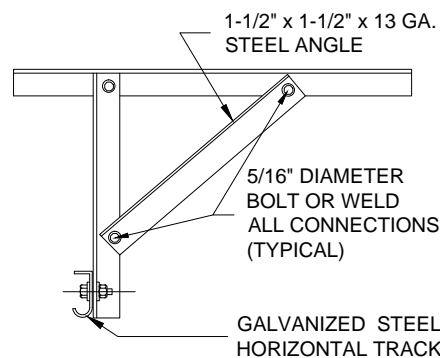
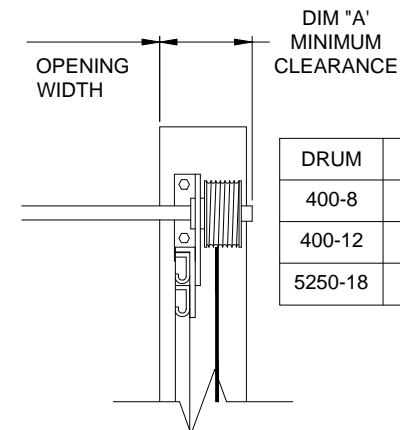


LOW HEADROOM REAR

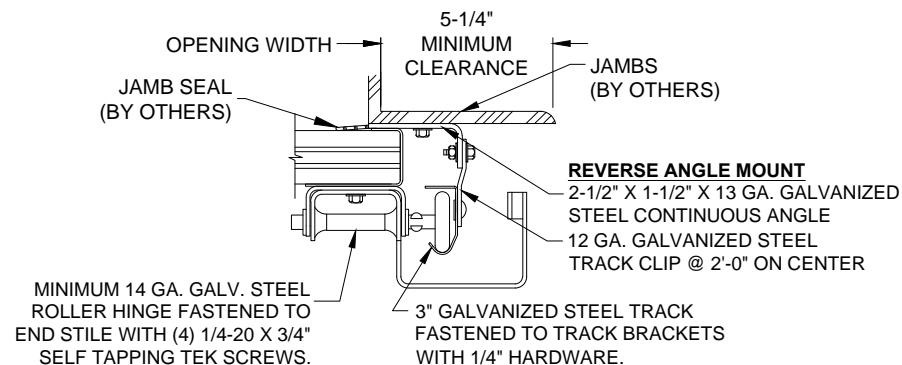
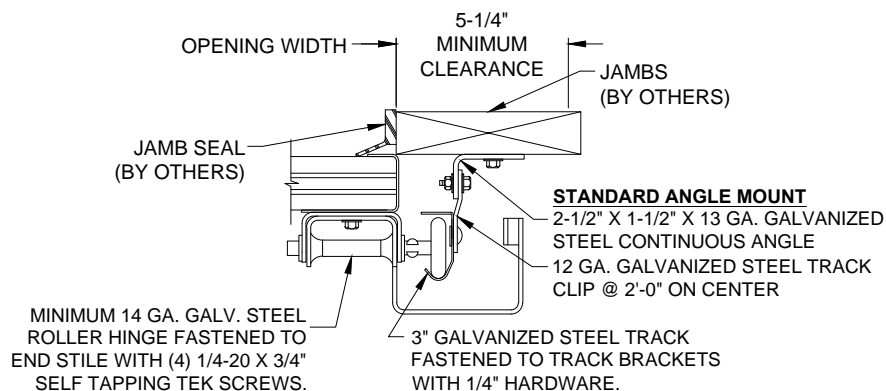


HORIZONTAL TRACK SUPPORT



DRUM	DIM 'A'
400-8	5-3/4"
400-12	6-1/8"
5250-18	7-1/4"

DRUM SIDE ROOM CLEARANCE



TRACK SIDE ROOM CLEARANCE

3" LOW HEADROOM REAR STANDARD & REVERSE ANGLE MOUNT

320 Sycamore St.
Wauseon, Ohio 43567
© Copyright 2017

