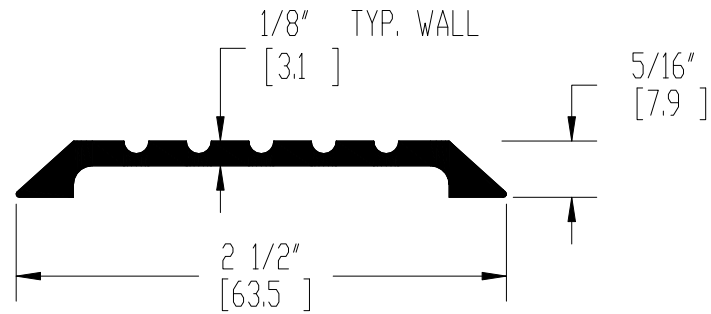



REV.	DESCRIPTION	ECD NO.	DATE
-	INITIAL CHECK IN	-	2/19/2013



#10 x 1-1/2" Flat Phillips Head Screws (Factory Provided)

 HAGER <small>COMPANIES ST. LOUIS, MISSOURI</small>	PROPRIETARY & CONFIDENTIAL	HAGER RESERVES THE RIGHT TO MAKE DESIGN CHANGES WITHOUT NOTICE. CALL HAGER ENGINEERING AT 1-800-325-9995 FOR THE LATEST REVISION DATE OF TEMPLATE.	DRAWN	MRJ	8/18/2011	401S SADDLE THRESHOLD			
	THE INFORMATION CONTAINED IN THIS DRAWING IS THE SOLE PROPERTY OF HAGER COMPANIES. ANY REPRODUCTION IN PART OR AS A WHOLE WITHOUT THE WRITTEN PERMISSION OF HAGER COMPANIES IS PROHIBITED.		MATERIAL	ENG. APPR.	-				-
			6063-T6	Q.A.			TOLERANCES: FRACTIONAL: ±0.015" ANGULAR: MACH: ±1° BEND: ±1° TWO PLACE DECIMAL: ±0.01" THREE PLACE DECIMAL: ±0.004"		
			FINISH	DO NOT SCALE DRAWING					
					A	S-TW00081	-		
					SCALE: 1:1	WEIGHT: 0.13	SHEET 1 OF 1		