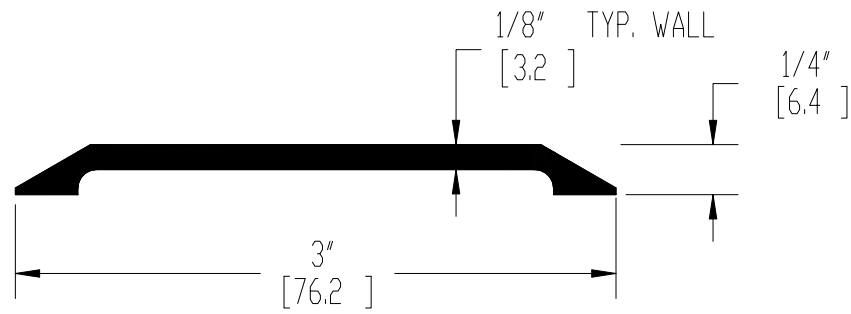



REV.	DESCRIPTION	ECD NO.	DATE
-	INITIAL CHECK IN		2/19/2013



#10 x 1-1/2" Flat Phillips Head Wood Screws (Factory Provided)

	PROPRIETARY & CONFIDENTIAL	HAGER RESERVES THE RIGHT TO MAKE DESIGN CHANGES WITHOUT NOTICE. CALL HAGER ENGINEERING AT 1-800-325-9995 FOR THE LATEST REVISION DATE OF TEMPLATE.	DRAWN	MRJ	8/18/2011	418S SADDLE THRESHOLD				
	THE INFORMATION CONTAINED IN THIS DRAWING IS THE SOLE PROPERTY OF HAGER COMPANIES. ANY REPRODUCTION IN PART OR AS A WHOLE WITHOUT THE WRITTEN PERMISSION OF HAGER COMPANIES IS PROHIBITED.		MATERIAL	ENG. APPR.	-				-	
			6063-T6	Q.A.			TOLERANCES: FRACTIONAL: ±0.015" ANGULAR: MACH: ±1° BEND: ±1° TWO PLACE DECIMAL: ±0.01" THREE PLACE DECIMAL: ±0.004"	SIZE	DWG. NO.	REV.
			FINISH	-				A	S-TW00093	-
	DO NOT SCALE DRAWING		SCALE: 1:1	WEIGHT: 0.15	SHEET 1 OF 1					