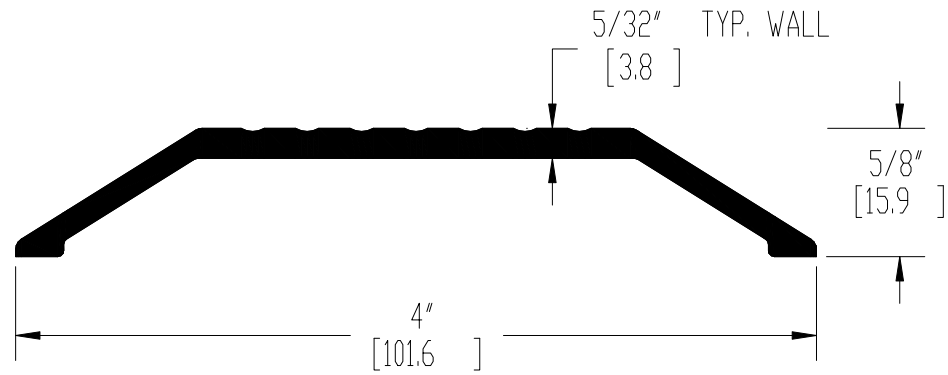



| REV. | DESCRIPTION | ECD NO. | DATE |
|------|------------------|---------|-----------|
| - | INITIAL CHECK IN | - | 2/19/2013 |



#10 x 1-1/2" Flat Phillips Head Wood Screws (Factory Provided)

| | | | | | | | | |
|--|--|--|------------|---------|--------------|---|--|------|
|  HAGER <small>COMPANIES ST. LOUIS, MISSOURI</small> | PROPRIETARY & CONFIDENTIAL THE INFORMATION CONTAINED IN THIS DRAWING IS THE SOLE PROPERTY OF HAGER COMPANIES. ANY REPRODUCTION IN PART OR AS A WHOLE WITHOUT THE WRITTEN PERMISSION OF HAGER COMPANIES IS PROHIBITED. | HAGER RESERVES THE RIGHT TO MAKE DESIGN CHANGES WITHOUT NOTICE. CALL HAGER ENGINEERING AT 1-800-325-9995 FOR THE LATEST REVISION DATE OF TEMPLATE. | DRAWN | MRJ | 8/18/2011 | 411S SADDLE THRESHOLD | | |
| | | | ENG. APPR. | - | - | | | |
| | | | MATERIAL | 6063-T6 | | Q.A. | | |
| | | | FINISH | - | | TOLERANCES: FRACTIONAL: ±0.015" ANGULAR: MACH: ±1° BEND: ±1° TWO PLACE DECIMAL: ±0.01" THREE PLACE DECIMAL: ±0.004" | | SIZE |
| DO NOT SCALE DRAWING | | | SCALE: 1:1 | | WEIGHT: 0.26 | S-TW00086 | | - |
| | | | | | | SHEET 1 OF 1 | | |