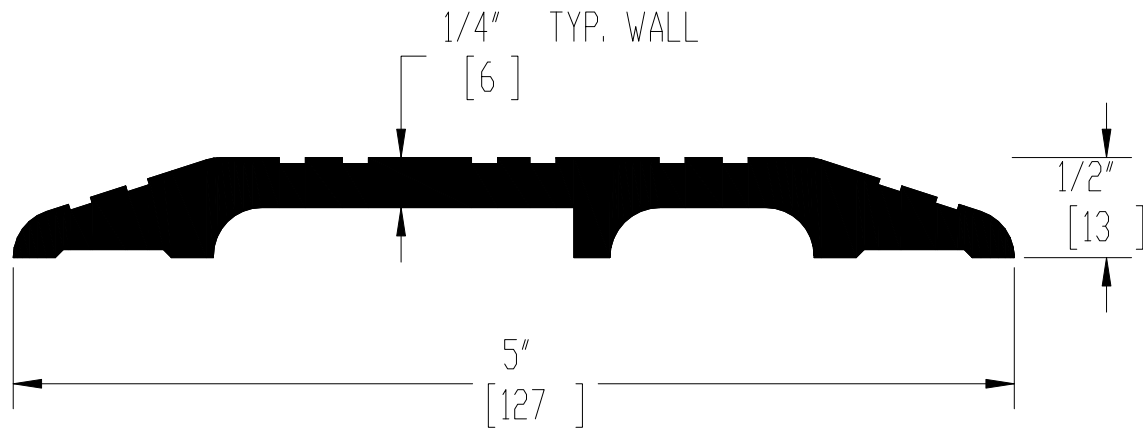



REV.	DESCRIPTION	ECD NO.	DATE
-	INITIAL CHECK IN		10/13/2014



#14 x 1-1/2" FLAT PHILLIPS HEAD WOOD SCREWS (FACTORY PROVIDED)

	HAGER RESERVES THE RIGHT TO MAKE DESIGN CHANGES WITH OUT NOTICE. CALL HAGER ENGINEERING AT 1-800-325-9995 FOR THE LATEST REVISION DATE OF TEMPLATE. PRIMARY DIMENSIONS SHOWN IN INCHES, DIMENSIONS IN [] ARE MILLIMETERS.	MATERIAL	6063-T6	FINISH	-	DO NOT SCALE DRAWING	DRAWN: MRJ 11/8/2011 ENG. APPR.: - Q.A.: -	427S SADDLE THRESHOLD		SIZE: A DWG. NO.: S-TW00136 SCALE: 1:1 WEIGHT: 0.55	REV.: - SHEET 1 OF 1
		TOLERANCES:		FRACTIONAL: ±0.015" ANGULAR: MACH: ±1° BEND: ±1° TWO PLACE DECIMAL: ±0.01" THREE PLACE DECIMAL: ±0.004"							