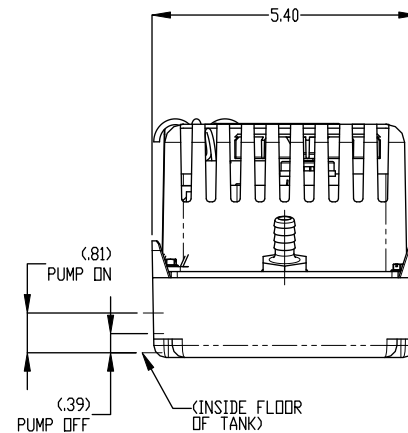
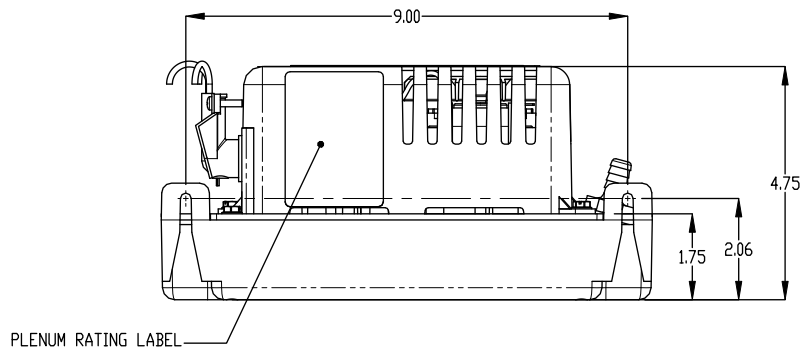


NOTES:

- DESCRIPTION: CONDENSATE PUMP, LOW PROFILE, 115V-1-50/60 HZ W/THERMALLY PROTECTED MOTOR
- RATINGS:
  - PUMP PERFORMANCE - SEE CHART
  - ASSEMBLY IS UL RECOGNIZED/CSA CERTIFIED FOR CONTINUOUS USE IN A 149°F AIR STREAM HOUSING. PUMP IS MADE FROM A UL RECOGNIZED MATERIAL RATED UL94-V0 WITH A MINIMUM CONTINUOUS TEMPERATURE RATING OF 212°F UNLESS OTHERWISE NOTED.
  - AUXILIARY FLOAT CONTACTS ARE SPDT WIRED NORMALLY CLOSED, RATED 125/250V, 4 AMP, 1/10HP
- MATERIAL:
  - SUMP AND MOTOR HOUSING: POLYPROPYLENE
  - MOTOR SHAFT: STAINLESS STEEL
  - BRONZE SLEEVE
  - AUXILIARY FLOAT TO BE RATED @ 212°F
- AGENCY INFORMATION:  
UL FILE: 51541, VOL 2
- PUMPS SUPPLIED COMPLETE WITH 3/8 CHECK VALVE.



				UNLESS OTHERWISE SPECIFIED: DIMENSIONS ARE IN INCHES(SI)		TOLERANCES: FRACTIONS XXX ± .004 XX ± .005 X ± .006		THIRD ANGLE PROJECTION		<b>HARTELL PUMPS</b> 201 Ivyland Rd, Ivyland, PA 19374 www.hartell.com	
A RELEASE TO PRODUCTION				17759	JHS	15JAN15	DRAWN		DATE		TITLE
REV	DESCRIPTION OF CHANGE				ECN	BY	DATE	JHS	15JAN15	PUMP ASSEMBLY KL-1DG-115	
THIS DOCUMENT CONTAINS PROPRIETARY INFORMATION OF MILTON ROY. NEITHER RECEIPT NOR POSSESSION THEREOF CONFERS ANY RIGHTS TO REPRODUCE, USE, OR DISCLOSE, IN WHOLE OR IN PART, ANY SUCH INFORMATION WITHOUT PRIOR WRITTEN AUTHORIZATION FROM MILTON ROY.								MATERIAL SPEC NO.		DO NOT SCALE DWG	REV
								NA		C	801030 SHEET 1 OF 1