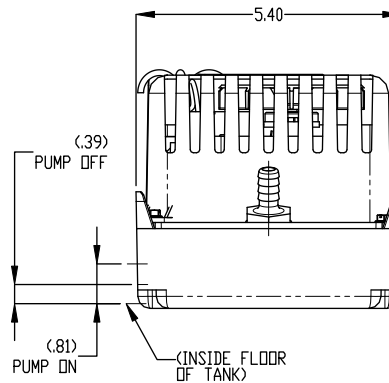


NOTES:

- DESCRIPTION: CONDENSATE PUMP, LOW PROFILE, 277-1-50/60 HZ W/THERMALLY PROTECTED MOTOR
- RATINGS:
 - PUMP PERFORMANCE - SEE CHART
 - ASSEMBLY IS UL RECOGNIZED/CSA CERTIFIED FOR CONTINUOUS USE IN A 149°F AIR STREAM HOUSING. SUMP IS MADE FROM A UL RECOGNIZED MATERIAL RATED UL94-5V WITH A MINIMUM CONTINUOUS TEMPERATURE RATING OF 212°F UNLESS OTHERWISE NOTED.
 - AUXILIARY FLOAT CONTACTS ARE SPDT WIRED NORMALLY CLOSED, RATED 125/250V, 4 AMP, 1/10HP
- MATERIAL:
 - SUMP AND MOTOR HOUSING: POLYPROPYLENE
 - MOTOR SHAFT: STAINLESS STEEL
 - BRONZE SLEEVE
 - AUXILIARY FLOAT TO BE RATED @ 212°F
- AGENCY INFORMATION: UL FILE: 51541, VOL 2
- PUMPS SUPPLIED COMPLETE WITH 3/8 CHECK VALVE.



				UNLESS OTHERWISE SPECIFIED: DIMENSIONS ARE IN INCHES(SI)		TOLERANCES: FRACTIONS XXX = 1/64 XX = 1/32 X = .005 Ø = .002		THIRD ANGLE PROJECTION		HARTELL PUMPS 201 Ivyland Rd, Ivyland, PA 18974 www.hartell.com	
A RELEASE TO PRODUCTION				17759	JHS	15JAN15	DRAWN		DATE		TITLE
REV	DESCRIPTION OF CHANGE			ECN	BY	DATE	JHS		15JAN15		PUMP ASSEMBLY KL-1DG-277
THIS DOCUMENT CONTAINS PROPRIETARY INFORMATION OF MILTON ROY. NEITHER RECEIPT NOR POSSESSION THEREOF CONFERS ANY RIGHTS TO REPRODUCE, USE, OR DISCLOSE, IN WHOLE OR IN PART, ANY SUCH INFORMATION WITHOUT PRIOR WRITTEN AUTHORIZATION FROM MILTON ROY.							MATERIAL SPEC. NO.		DO NOT SCALE DWG		REV
							NA		C		801053 SHEET 1 OF 1