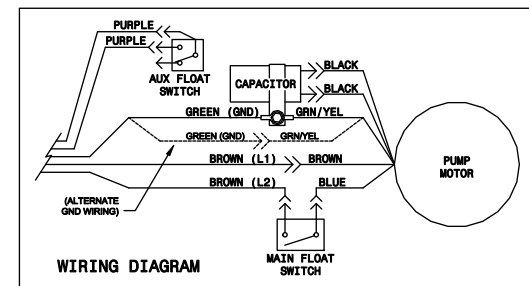
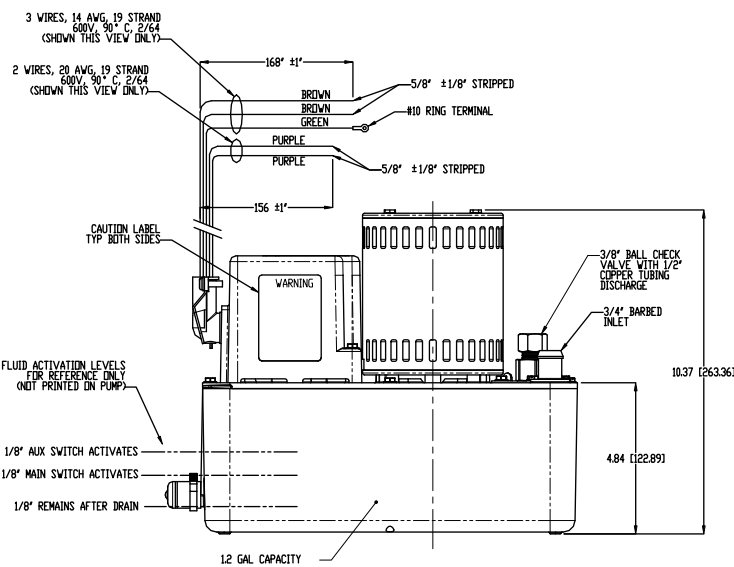


ELECTRICAL SPECIFICATIONS:
 VOLTS : 115V
 FREQ : 60Hz
 AMPS : 5.0A @ 60Hz
 LEADS : PWR & GND = 14 AWG
 AUX SWITCH = 20 AWG
 INS : 2/64, 90°C

PLUMBING INTAKE(S) : 3/4" BARBED IN TANK COVER (STANDARD)
 DISCHARGE : 1/2" COPPER TUBING



NOTE:
 1. DIMENSIONS ARE FOR REFERENCE ONLY
 2. ASSY IS UL COMPONENT RECOGNIZED, AND CSA CERTIFIED
 3. TEMPERATURE RATING : 212°F (100 °C)
 4. PACKAGING TO INCLUDE INSTALLATION INSTRUCTIONS, AND WIRING DIAGRAM
 5. PART NUMBER LABEL TO INCLUDE VENDOR P/N, VOLTAGE, AMPS, PHASE AND FREQUENCY INFORMATION
 6. SEE SEPERATE BOM FOR PARTS
 7. WIRING DIAGRAM PICTURED ABOVE LOCATED ON LABEL INSIDE SWITCH COVER

REV	DESCRIPTION OF CHANGE	ECN	BY	DATE	DESIGNED	DWG	DATE	BY	DATE	REV	DESCRIPTION OF CHANGE	ECN	BY	DATE
C	IMPLEMENT NEW SWITCH 508316 AND PLENUM LABEL	15559	DWG	26/CT/12										
D	CHANGED AUX WRG FROM N.C. TO N.O. LFD WRG BANG	10859	DWG	28/EP/08										
E	CHANGED CAPACITOR LFD WRG BANG	10880	DWG	28/EP/08										
F	REPLACED INLET ASSY WITH NEW DESIGN	2161	DWG	23/NOV/05										
A	RELEASE TO PRODUCTION	2165	DWG	17/JAN/05										

HARTELL PUMPS
 201 Inyond Rd., Inyond, PA 19374
 www.hartell.com

PUMP ASSEMBLY
ASX-115

DO NOT SCALE DWG

806025