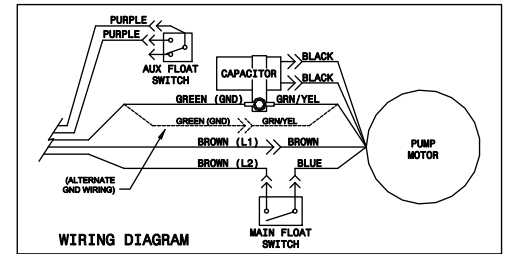
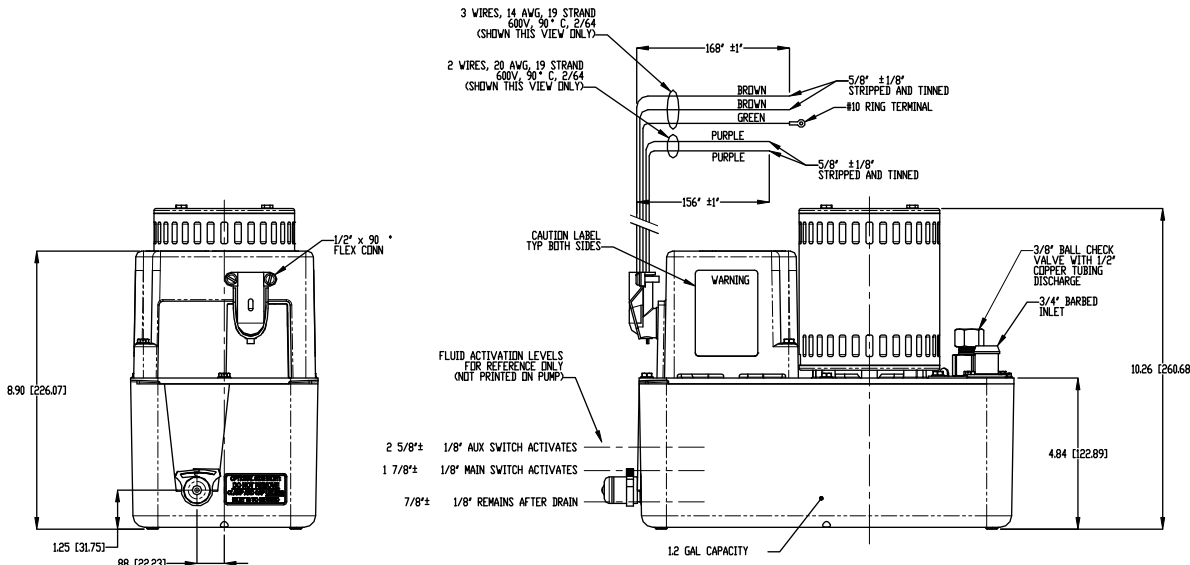


ELECTRICAL SPECIFICATIONS:  
 VOLTS : 230V  
 FREQ : 50/60Hz  
 AMPS : 2.3A @ 60Hz  
 LEADS : PWR & GND = 14 AWG  
 AUX SWITCH = 20 AWG  
 INS : 2/64, 90°C  
 PLUMBING : INTAKE : 3/4" BARBED  
 DISCHARGE : 1/2" CLIPPER TUBING



NOTE:  
 1. DIMENSIONS ARE FOR REFERENCE ONLY  
 2. SEE DRAWING 80600 FOR ADDITIONAL PUMP SPECIFICATIONS  
 3. WIRING DIAGRAM PICTURED ABOVE LOCATED ON LABEL INSIDE SWITCH COVER

REV	DESCRIPTION OF CHANGE	ENGR	BY	DATE	ISSUE NO	DATE	SCALE	DWG NO	REV
F	IMPLEMENT NEW SWITCH 500316 AND PLENUM LABEL	15559	DWG	26/02/12	1	17/02/13	AS/AS	806026	F
C	CHANGED CAPACITOR UPD WIR DIAG	10000	DWG	25/JAN/07	1				
D	REVISED TO ALLOW LIMER INLET OPTION	2197	DWG	06/MAY/06	1				
C	REPLACED INLET KEY WITH NEW DESIGN	2361	DWG	20/NOV/05	1				
B	DEL "NOTICE" LABEL REPLACED SV LEVER & SWITCH	2624	DWG	19/FEB/04	1				
A	RELEASE TO PRODUCTION	2638	DWG	18/FEB/04	1				

**HARTELL PUMPS**  
 70 Industrial Dr., Lyndale, PA 15084  
 www.hartell.com

**PUMP ASSEMBLY**  
**ASX-230**

DO NOT SCALE DWG