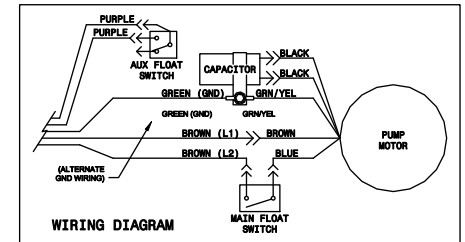
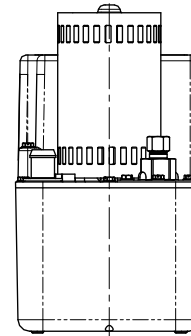
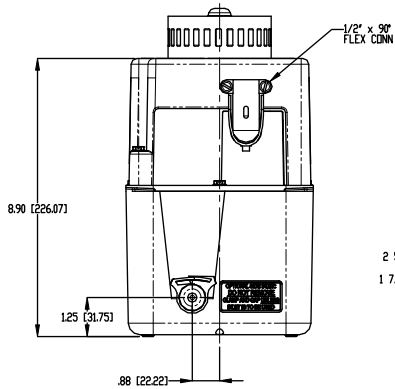
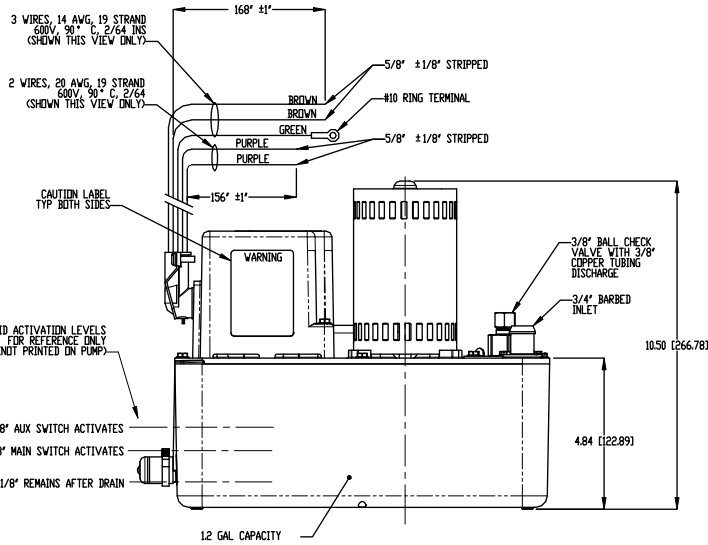


ELECTRICAL SPECIFICATIONS:

VOLTS : 115V
 FREQ : 50/60 Hz
 AMPS : 1.5A @ 60Hz
 LEADS : PWR & GND = 14 AWG
 AUX SWITCH = 20 AWG
 INS : 2/64, 90°C

PLUMBING:

INTAKE: 3/4" BARBED IN TANK COVER (STANDARD)
 3/4" BARBED IN TANK END (OPTIONAL)
 DISCHARGE: 3/8" COPPER TUBING



- NOTE:
1. DIMENSIONS ARE FOR REFERENCE ONLY.
 2. ASSY IS UL COMPONENT RECOGNIZED, AND CSA CERTIFIED.
 3. TEMPERATURE RATING: 212°F (100°C).
 4. PACKAGING TO INCLUDE INSTALLATION INSTRUCTIONS, AND WIRING DIAGRAM.
 5. PART NUMBER LABEL TO INCLUDE VENDOR P/N, VOLTAGE, AMPS, PHASE, AND FREQUENCY INFORMATION.
 6. SEE SEPARATE BOM FOR PARTS.
 7. WIRING DIAGRAM PICTURED ABOVE LOCATED ON LABEL INSIDE SWITCH COVER.

REV	DESCRIPTION OF CHANGE	EN	BY	DATE	REV	DESCRIPTION OF CHANGE	EN	BY	DATE
E	IMPLEMENT NEW SWITCH SWITCH, AND PLENUM LABEL	10059	DWG	24DEC12	1	IMPLEMENT NEW SWITCH SWITCH, AND PLENUM LABEL	10059	DWG	24DEC12
D	CHANGED AUX WRG FROM NC TO NAL LPI WRG DIAG	10899	DWG	28FEB08	1	CHANGED AUX WRG FROM NC TO NAL LPI WRG DIAG	10899	DWG	28FEB08
C	CHANGED CAPACITOR LPI WRG DIAG	10000	DWG	25JAN07	1	CHANGED CAPACITOR LPI WRG DIAG	10000	DWG	25JAN07
B	REPLACED INLET ASSY WITH NEW DESIGN	2161	DWG	23NOV05	1	REPLACED INLET ASSY WITH NEW DESIGN	2161	DWG	23NOV05
A	RELEASE TO PRODUCTION	2126	DWG	17AUG05	1	RELEASE TO PRODUCTION	2126	DWG	17AUG05

HARTELL PUMPS
 70 Industrial Dr., Lyndell, PA 19354
 www.hartell.com

PUMP ASSEMBLY
A3X-115

DO NOT SCALE DWG

REV E

806029