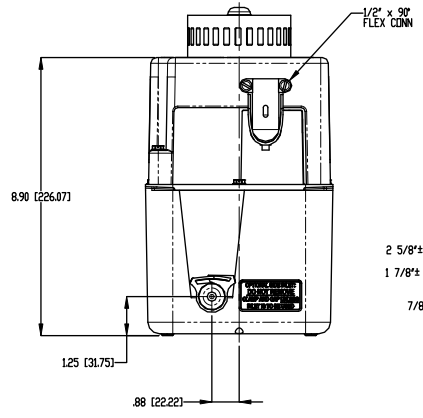
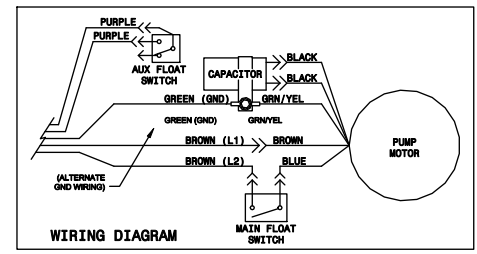
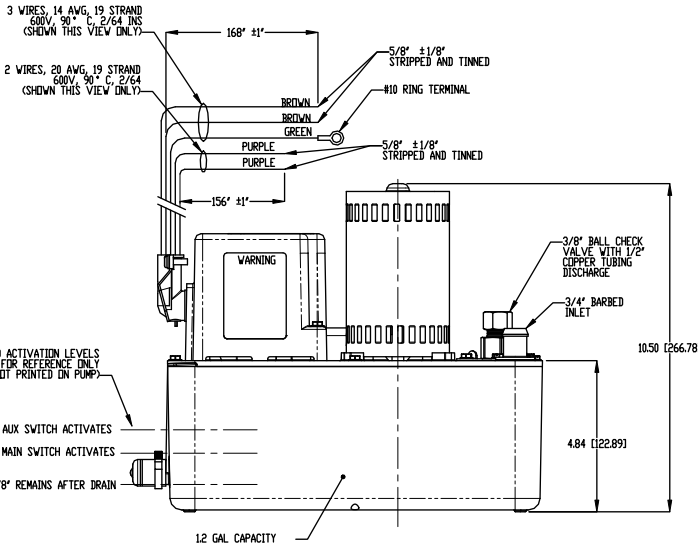


ELECTRICAL SPECIFICATIONS
 VOLTS : 277V
 FREQ : 50/60 Hz
 AMPS : 1.5A @ 60Hz
 LEADS : PWR & GND = 14 AWG
 AUX SWITCH = 20 AWG
 INS : 2/64, 90°C

PLUMBING
 INTAKE : 3/4" BARBED
 DISCHARGE : 1/2" COPPER TUBING



FLUID ACTIVATION LEVELS
FOR REFERENCE ONLY
(NOT PRINTED ON PUMP)

2 5/8" ± 1/8" AUX SWITCH ACTIVATES
 1 7/8" ± 1/8" MAIN SWITCH ACTIVATES
 7/8" ± 1/8" REMAINS AFTER DRAIN

NOTE:
 1. DIMENSIONS ARE FOR REFERENCE ONLY
 2. SEE DRAWING B06000 FOR ADDITIONAL PUMP SPECIFICATIONS
 3. WIRING DIAGRAM PICTURED ABOVE LOCATED ON LABEL INSIDE SWITCH COVER

REV	DESCRIPTION OF CHANGE	DATE	BY	DATE	BY	DATE	BY
F	IMPLEMENT NEW SWITCH SWITCHES AND PLENUM LABEL	15559	ING	26OCT12	ING	25JAN17	ING
C	CHANGED CAPACITOR UPD WRG DIAG	10000	ING	25JAN17	ING	25JAN17	ING
D	REVISED TO ALLOW LOWER INLET OPTION	2197	ING	06MAY16	ING	06MAY16	ING
C	REPLACED INLET ASSEMBLY WITH NEW DESIGN	2361	ING	23OCT15	ING	23OCT15	ING
B	DEL "NOTICE" LABEL REPLACED SW LEVER & SWITCH	2024	ING	19FEB14	ING	19FEB14	ING
A	RELEASE TO PRODUCTION	---	ING	23OCT12	ING	23OCT12	ING
G	IMPLEMENT NEW SWITCH SWITCHES AND PLENUM LABEL	15559	ING	26OCT12	ING	25JAN17	ING
REV	DESCRIPTION OF CHANGE	DATE	BY	DATE	BY	DATE	BY

HARTELL PUMPS
 70 Industrial Dr., Lyndell, NJ 08054
 www.hartell.com

PUMP ASSEMBLY
A3X-277

DO NOT SCALE DWG
 806030
 G