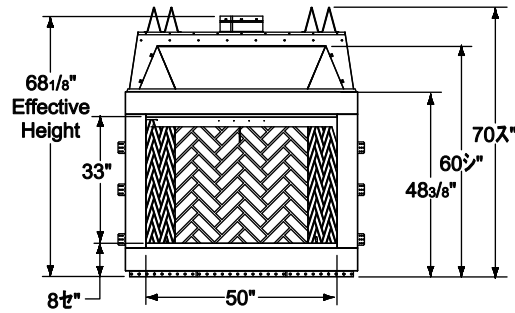
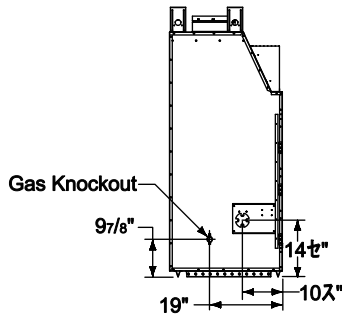
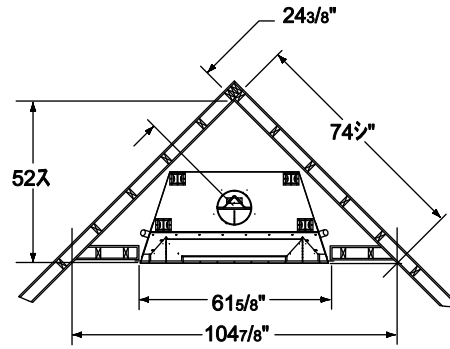
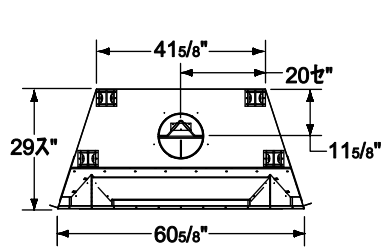
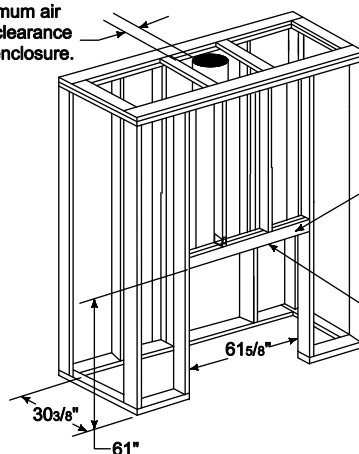


SPECIFICATIONS									
Model	Height		Front Width		Back Width		Depth		Firebox Opening Size
	Actual	Framing	Actual	Framing	Actual	Framing	Actual	Framing	
EXCLAIM-50	60 1/4"	61"	60 5/8"	61 5/8"	41 5/8"	61 5/8"	29 1/2"	30 3/8"	50 x 33"

Reference dimensions only. We recommend measuring individual units at installation.



2" minimum air space clearance to the enclosure.



Note: Fireplace header cannot be positioned until after the fireplace assembly is in place.

61" header height. Use only noncombustible material below the top of the front standoffs.