

helo

COMMERCIAL

DRAWING #

CC46IS

INVOICE #

COMPANY:

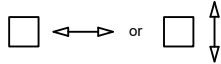
JOB NAME:

WOOD TYPE: CEDAR

T&G DIRECTION:

ROOM HEIGHT: 84"

JOIST DIRECTION:



SQ. FOOTAGE: 23

Door Size/Style AG 24X80

Door Jamb Width _____

Interior Upgrade NONE

Htr. Size/Model IS301S/MIKI 45SL2

Control Type SL2

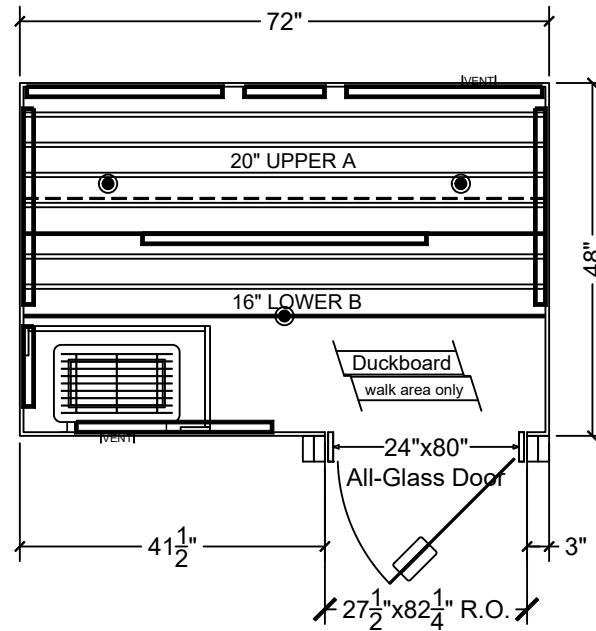
Voltage/Phase 240V/1P

Lighting Option SL2 PUCKS

Infrared Room Design Statement:

TyloHelo will not guarantee room performance of Infrared room heights over 84" or incorporating One-Tier bench systems. Room Performance will not be deemed a warranty situation when the design fails to follow these guidelines.

Doc.# 271-102 Rev. 2



Customer Approval: _____

Dimensions are stud to stud, unless otherwise noted

DATE: 2020

custom cut sauna