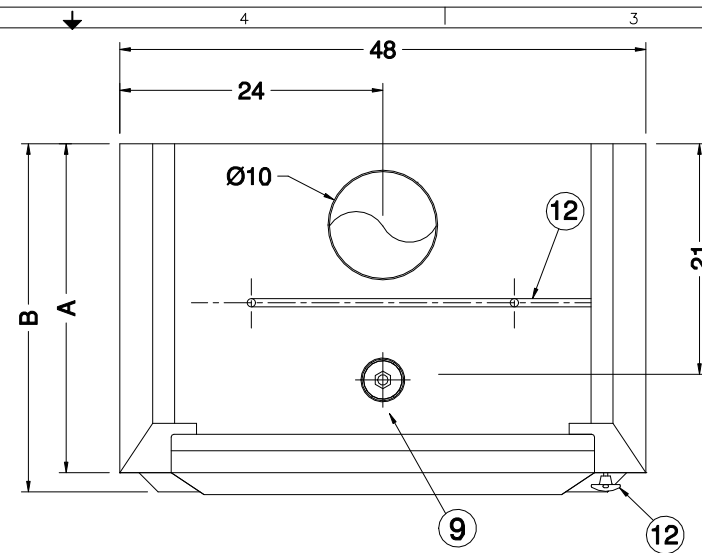


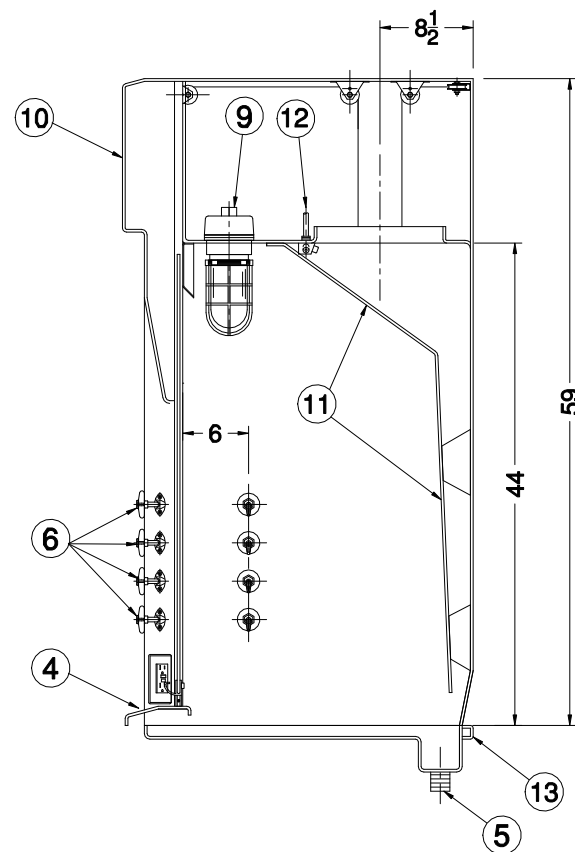
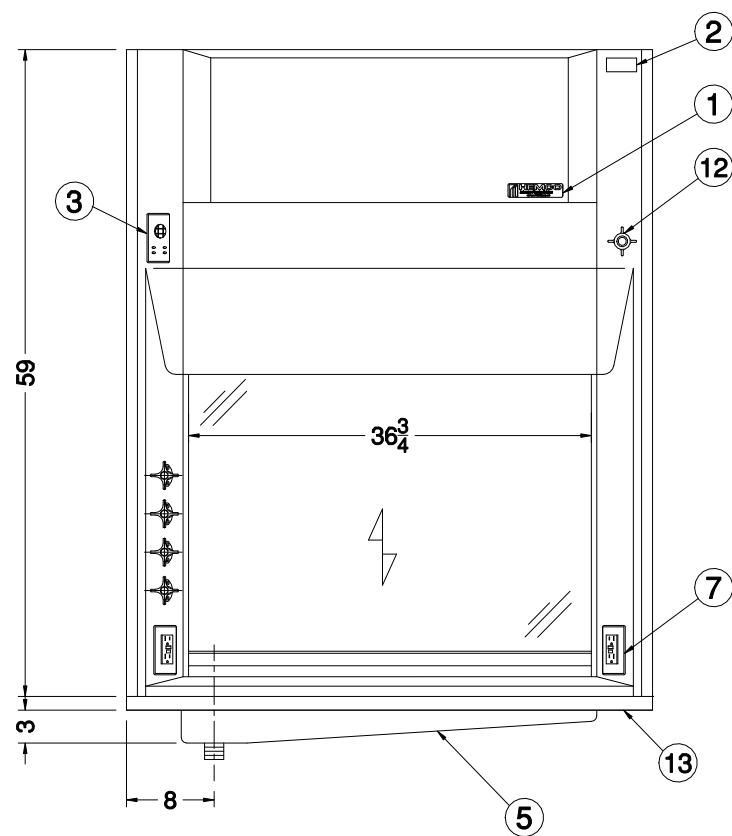
PART #	DIM "A"	DIM "B"
12421	30	32
12430	36	38

PVC PERCHLORIC ACID FUME HOOD

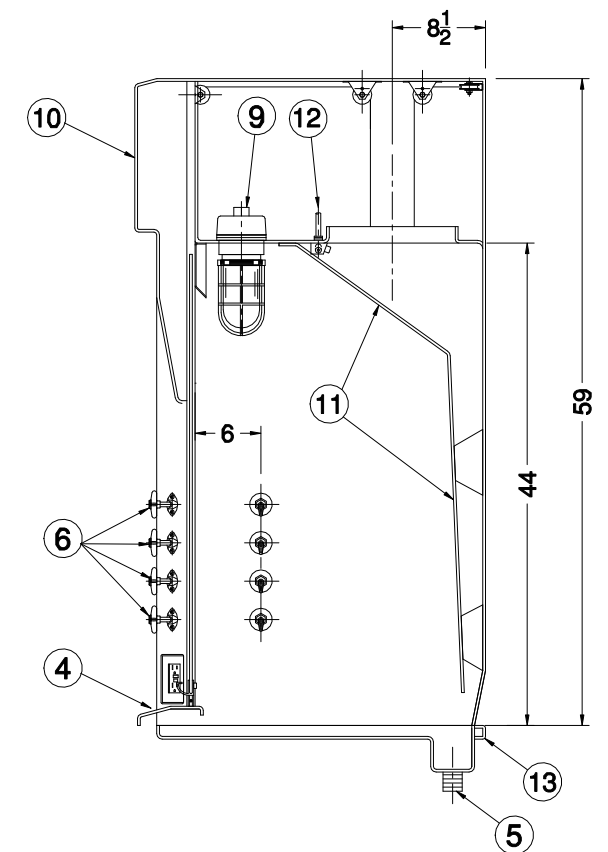
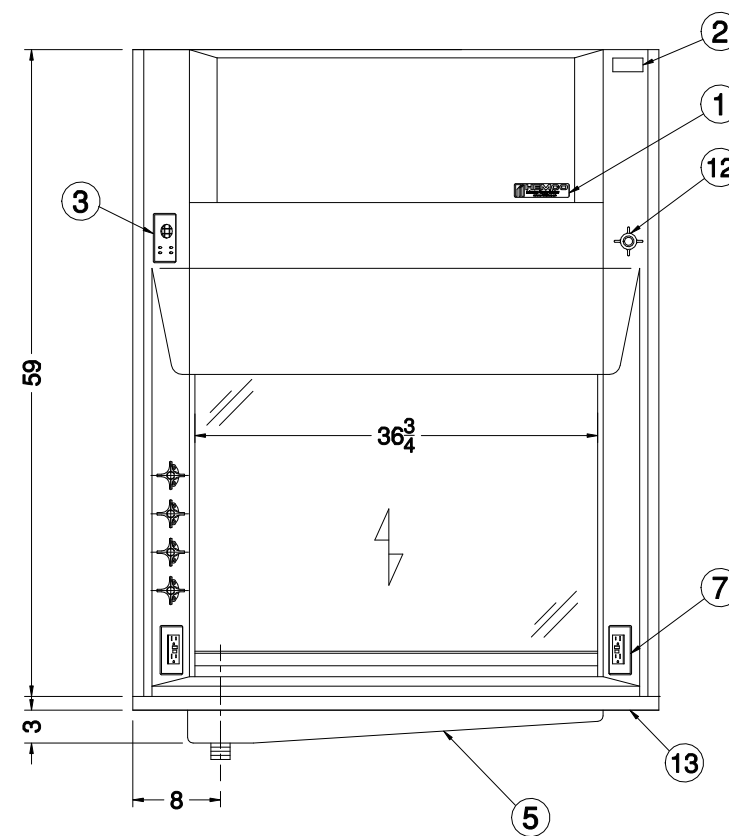


PART #	DIM "A"	DIM "B"
12401	30	32
12411	36	38

316 SS PERCHLORIC ACID FUME HOOD



SECTION A-A



SECTION A-A

1. NAME PLATE
2. SER. # & I.D. PLATE
3. AIR FLOW MONITOR 12V 115VAC
4. AIR FOIL
5. DRAIN TROUGH (OPT)
6. SERVICE FIXTURES LEFT OR RIGHT (OPT)
7. DUPLEX RECEPTACLE 115-230 15A 20A GFI (OPT)
8. VERTICAL RISING SASH (CLEAR TEMPERED SAFETY GLASS)
9. EXPLOSION PROOF LIGHT FIXTURE CLASS I DIV II
10. REMOVABLE ACCESS PANEL
11. VARAFLOW BAFFLE SYSTEM
12. FUME CHAMBER WASHDOWN VALVE
13. WORKSURFACE (WELDED INTEGRAL TO FUME CHAMBER)

NOTE:
ALL ELECTRICAL COMPONENTS UL
AND CSA LISTED

48" PERCHLORIC ACID FUME HOOD
HEMCO Corporation

DRAWN BY: HDK	DATE: 05/11/19	DWG. NO. P
PROPRIETARY AND CONFIDENTIAL		MODEL NO: #12000
THE INFORMATION CONTAINED IN THIS DRAWING IS THE SOLE PROPERTY OF HEMCO CORPORATION. ANY REPRODUCTION IN PART OR AS A WHOLE WITHOUT THE WRITTEN PERMISSION OF HEMCO CORPORATION IS PROHIBITED.		
BY <i>R. E. Hill</i> DATE 02/11/19		SCALE: 1" = 20"
711 S. Powell Rd. Independence, MO 64056 PH: 816-796-2900 FAX: 816-796-3333 www.HEMCOcorp.com		SHEET 1 OF 1

HEMCO
Laboratory Planning Solutions

REV: **A**