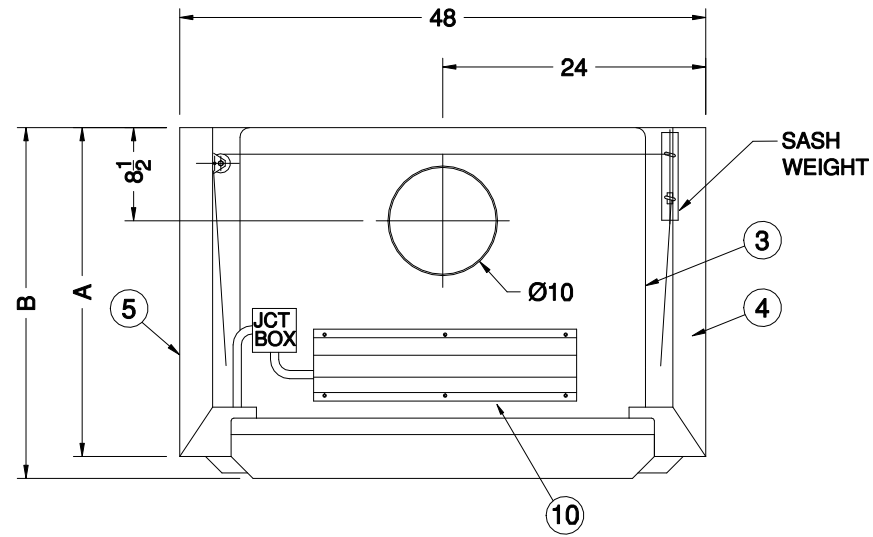
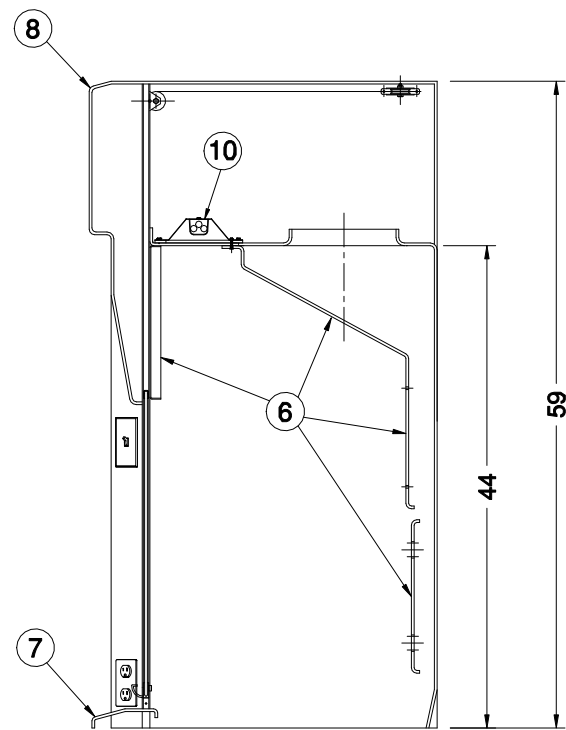
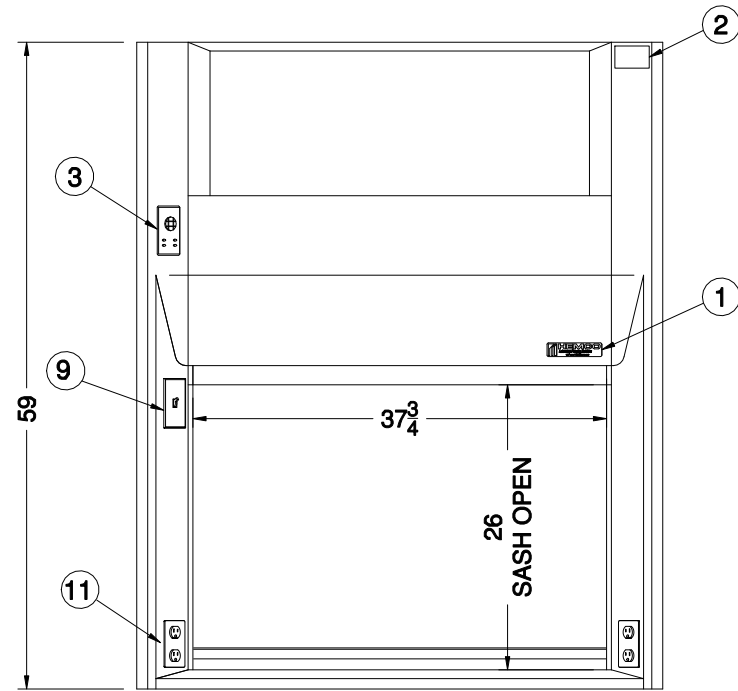


| PART # | DIM "A" | DIM "B" |
|--------|---------|---------|
| 14401 | 30 | 32 |



TOP VIEW



1. HEMCO NAMEPLATE
2. SERIAL NO. LABEL
3. SS 304 FUME CHAMBER/ WORKSURFACE
4. FIBERGLASS SHELL RIGHT
5. FIBERGLASS SHELL LEFT
6. 3 PIECE SS 304 BAFFLE
7. STAINLESS STEEL OR FIBERGLASS AIRFOIL
8. FRONT ACCESS PANEL
9. LIGHT SWITCH 115V, 15 AMP
10. VAPOR PROOF LED LIGHT FIXTURE, 115V
11. DUPLEX RECEPTACLE 115-230 15A 20A GFI (OPT)

NOTE:
ALL ELECTRICAL COMPONENTS UL AND CSA LISTED

304 SS RADIOISOTOPE FUME HOOD
HEMCO Corporation

DRAWN BY: **HDK** DATE: **05/11/19** DWG. NO. **STD-14401**

PROPRIETARY AND CONFIDENTIAL
THE INFORMATION CONTAINED IN THIS DRAWING IS THE SOLE PROPERTY OF HEMCO CORPORATION. ANY REPRODUCTION IN PART OR AS A WHOLE WITHOUT THE WRITTEN PERMISSION OF HEMCO CORPORATION IS PROHIBITED.
BY *R. E. Hill* DATE **02/11/19** MODEL NO: **#14401**
SCALE: **1" = 20"**
SHEET **1** OF **1**

HEMCO
Laboratory Planning Solutions
711 S. Powell Rd.
Independence, MO 64056
PH: 816-796-2900
FAX: 816-796-3333
www.HEMCOcorp.com

REV: **A**