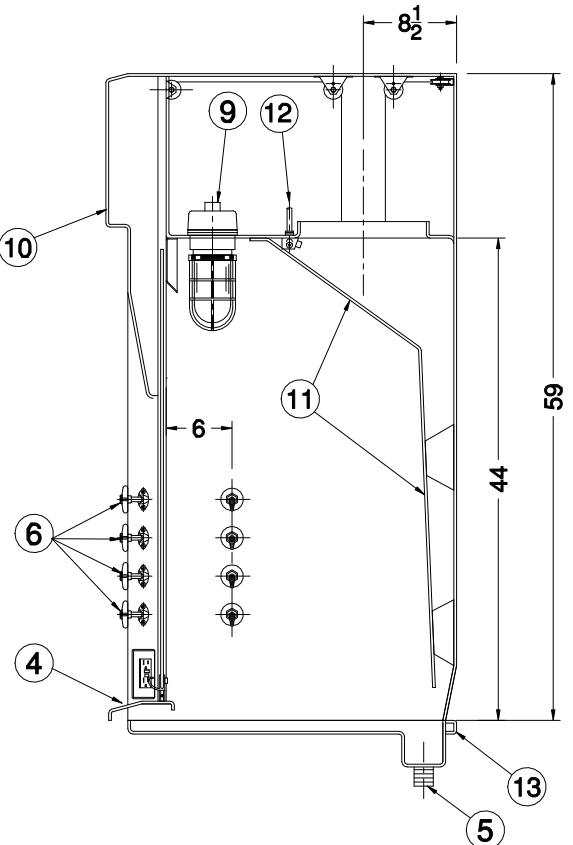
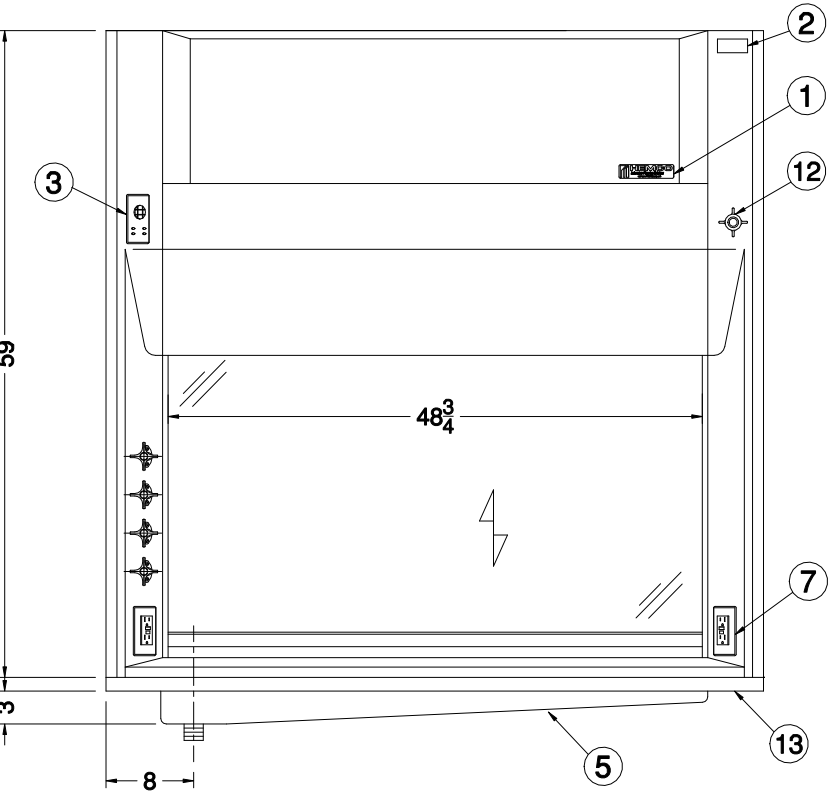
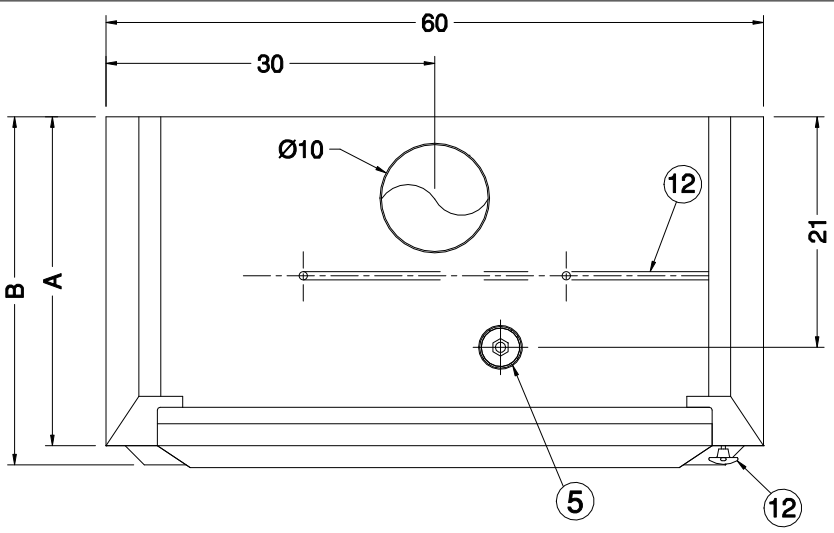


PART #	DIM "A"	DIM "B"
12521	30	32
12530	36	38

PVC PERCHLORIC ACID FUME HOOD



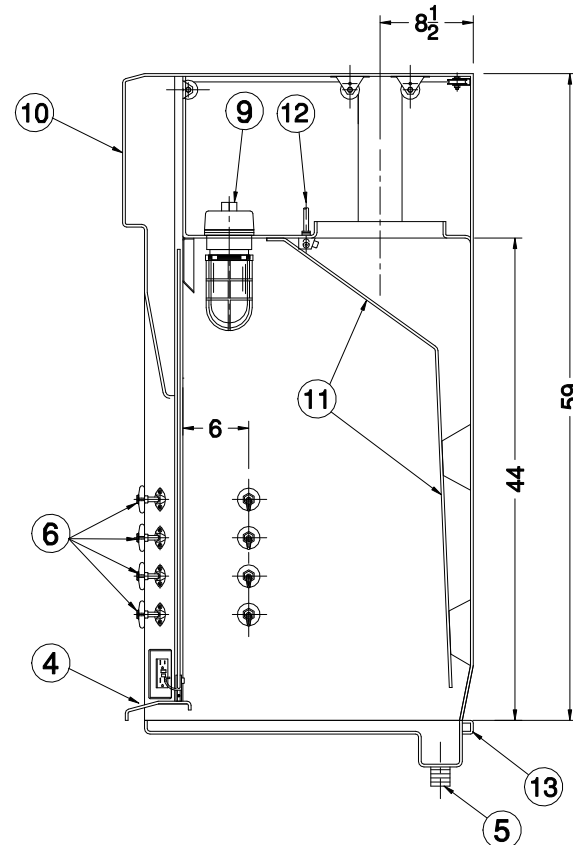
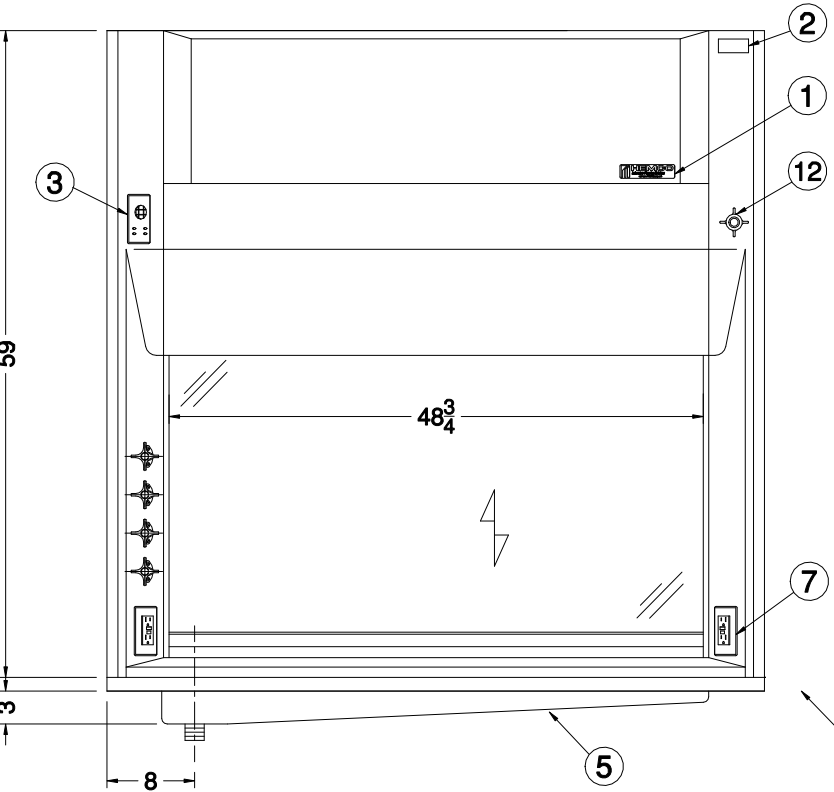
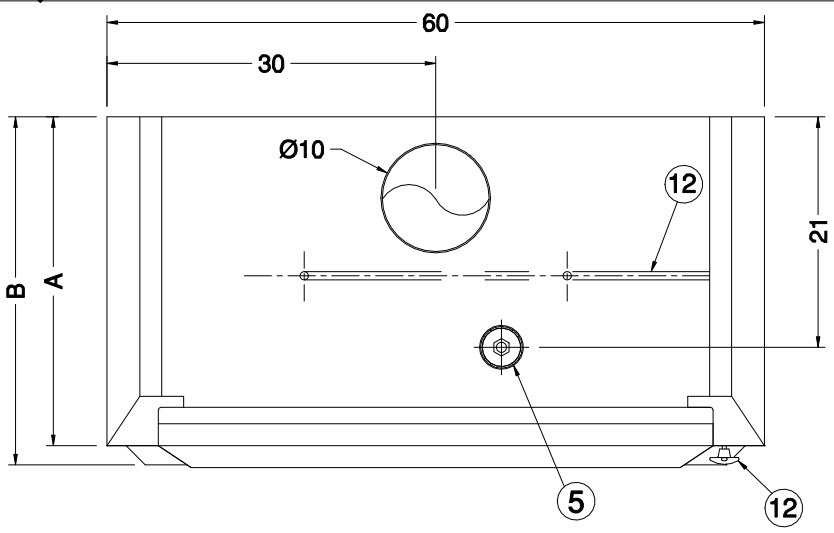
SECTION A-A

NOTE:
ALL ELECTRICAL COMPONENTS UL
AND CSA LISTED

1. NAME PLATE
2. SER. # & I.D. PLATE
3. AIR FLOW MONITOR 12V 115VAC
4. AIR FOIL
5. DRAIN TROUGH (OPT)
6. SERVICE FIXTURES LEFT OR RIGHT (OPT)
7. DUPLEX RECEPTACLE 115-230 15A 20A GFI (OPT)
8. VERTICAL RISING SASH (CLEAR TEMPERED SAFETY GLASS)
9. EXPLOSION PROOF LIGHT FIXTURE CLASS I DIV II
10. REMOVABLE ACCESS PANEL
11. VARAFLOW BAFFLE SYSTEM
12. FUME CHAMBER WASHDOWN VALVE
13. WORKSURFACE (WELDED INTEGRAL TO FUME CHAMBER)

PART #	DIM "A"	DIM "B"
12501	30	32
12511	36	38

316 SS PERCHLORIC ACID FUME HOOD



SECTION A-A

60" PERCHLORIC ACID FUME HOOD

HEMCO Corporation

DRAWN BY: HDK DATE: 05/11/19 DWG. NO. P

PROPRIETARY AND CONFIDENTIAL
THE INFORMATION CONTAINED IN THIS DRAWING IS THE SOLE PROPERTY OF HEMCO CORPORATION. ANY REPRODUCTION IN PART OR AS A WHOLE WITHOUT THE WRITTEN PERMISSION OF HEMCO CORPORATION IS PROHIBITED.
PLANS & DRAWINGS ARE COPYRIGHTED BY R. E. Hill DATE 02/11/19
MODEL NO: #12000
SCALE: 1" = 20"
SHEET 1 OF 1

HEMCO
Laboratory Planning Solutions
711 S. Powell Rd.
Independence, MO 64056
PH: 816-796-2900
FAX: 816-796-3333
www.HEMCOcorp.com

REV: A