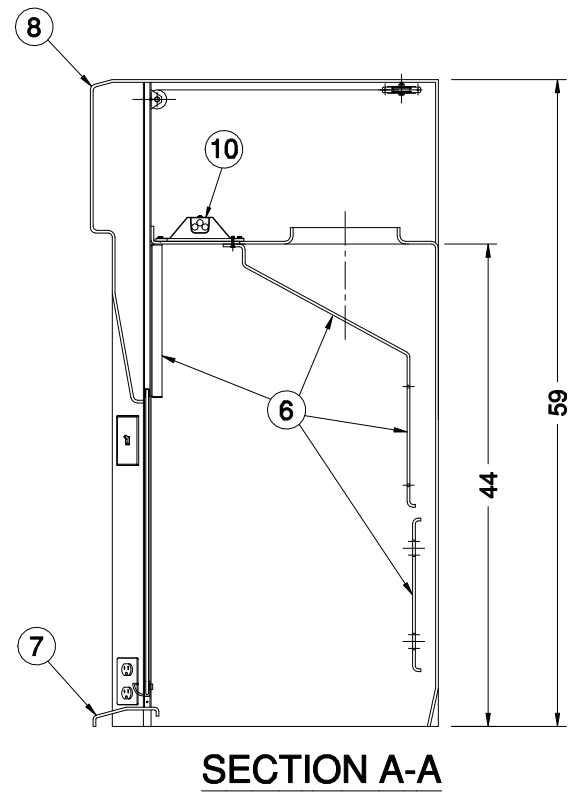
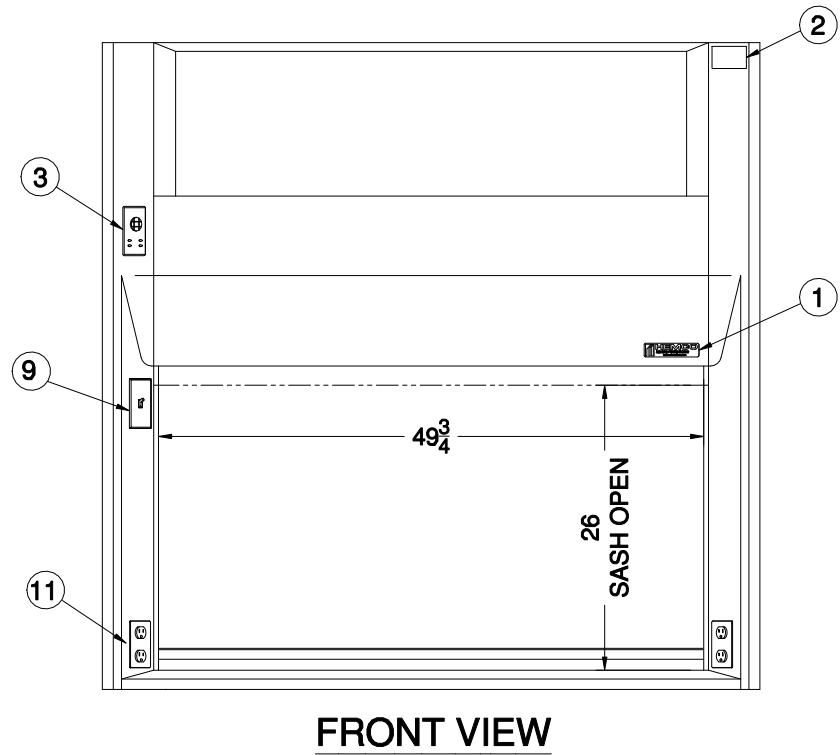
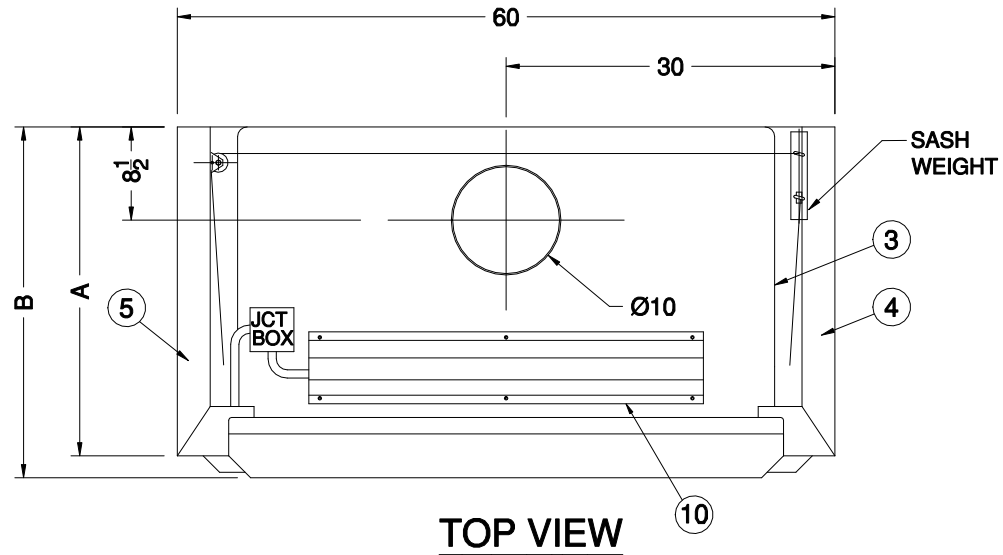


PART #	DIM "A"	DIM "B"
14501	30	32



1. HEMCO NAMEPLATE
2. SERIAL NO. LABEL
3. SS 304 FUME CHAMBER/ WORKSURFACE
4. FIBERGLASS SHELL RIGHT
5. FIBERGLASS SHELL LEFT
6. 3 PIECE SS 304 BAFFLE
7. STAINLESS STEEL OR FIBERGLASS AIRFOIL
8. FRONT ACCESS PANEL
9. LIGHT SWITCH 115V, 15 AMP
10. VAPOR PROOF LED LIGHT FIXTURE, 115V
11. DUPLEX RECEPTACLE 115-230 15A 20A GFI (OPT)

NOTE:
ALL ELECTRICAL COMPONENTS UL AND CSA LISTED

304 SS RADIOISOTOPE FUME HOOD			
HEMCO Corporation			
DRAWN BY:	DATE:	DWG. NO.	MODEL NO:
HDK	05/11/19	STD-14501	#14501
PROPRIETARY AND CONFIDENTIAL			
THE INFORMATION CONTAINED IN THIS DRAWING IS THE SOLE PROPERTY OF HEMCO CORPORATION. ANY REPRODUCTION IN PART OR AS A WHOLE WITHOUT THE WRITTEN PERMISSION OF HEMCO CORPORATION IS PROHIBITED.			
BY <i>R. E. Hill</i>		DATE 02/11/19	SCALE: 1" = 20"
711 S. Powell Rd. Independence, MO 64056 PH: 816-796-2900 FAX: 816-796-3333 www.HEMCOcorp.com			REVISION: A
Laboratory Planning Solutions			SHEET 1 OF 1