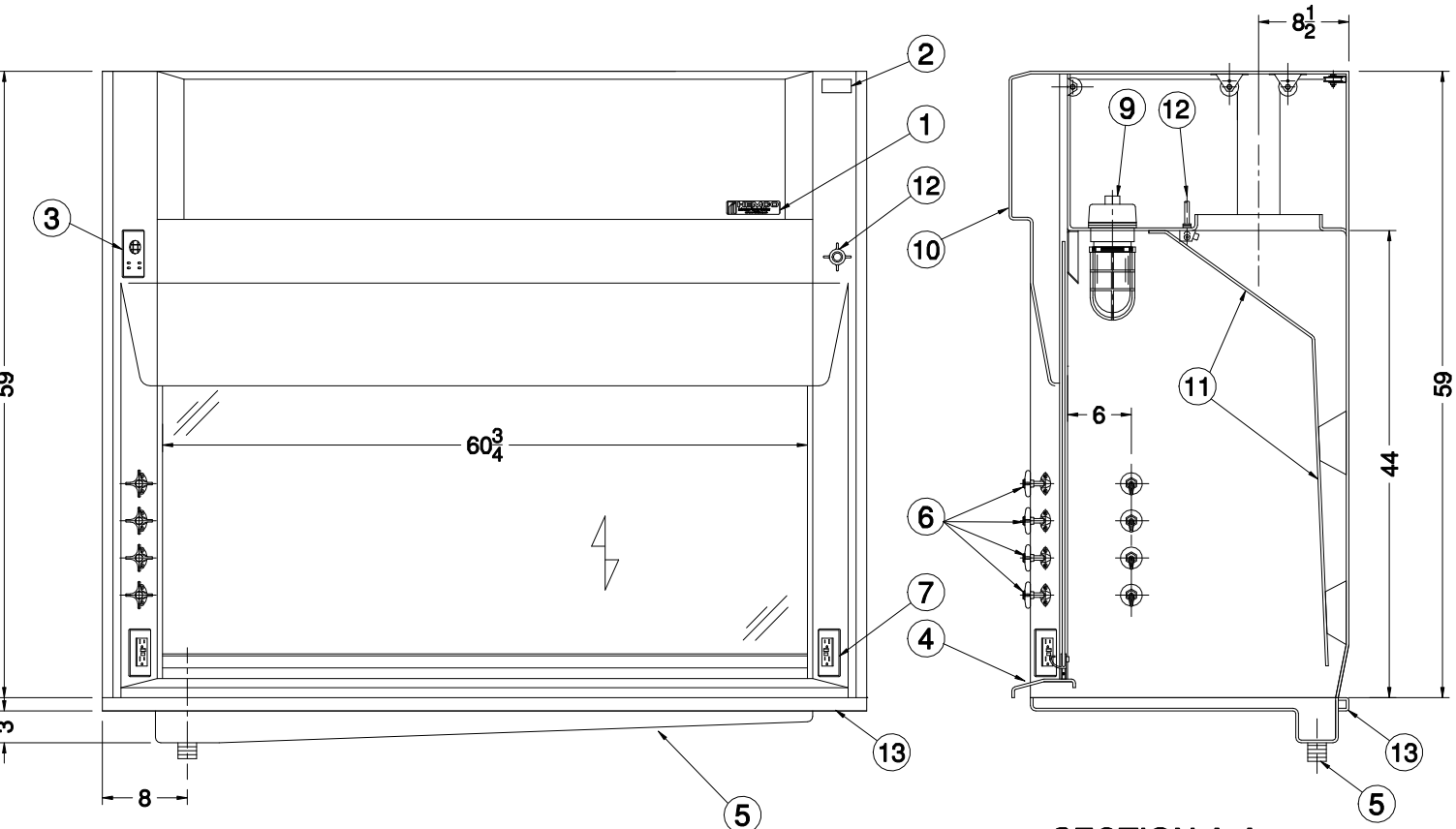
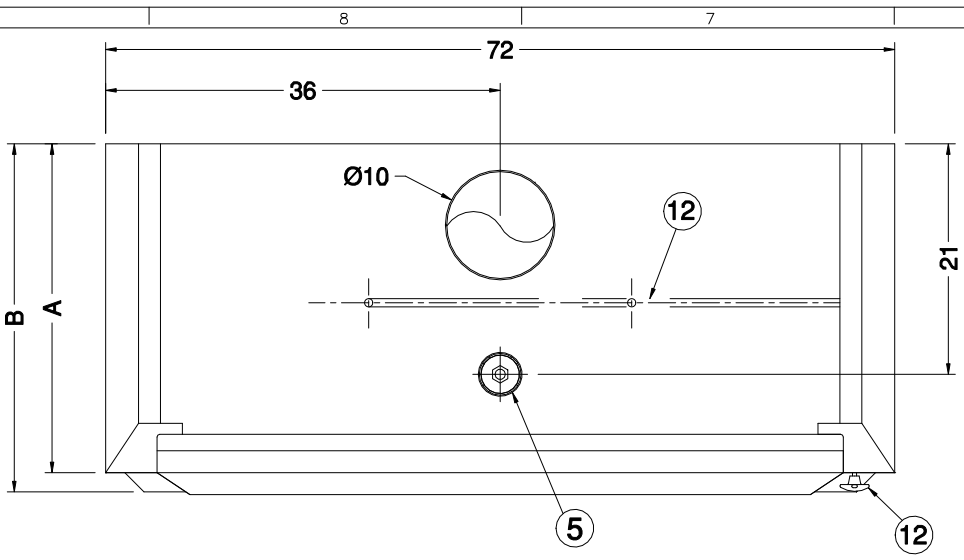


PART #	DIM "A"	DIM "B"
12621	30	32
12630	36	38

PVC PERCHLORIC ACID FUME HOOD



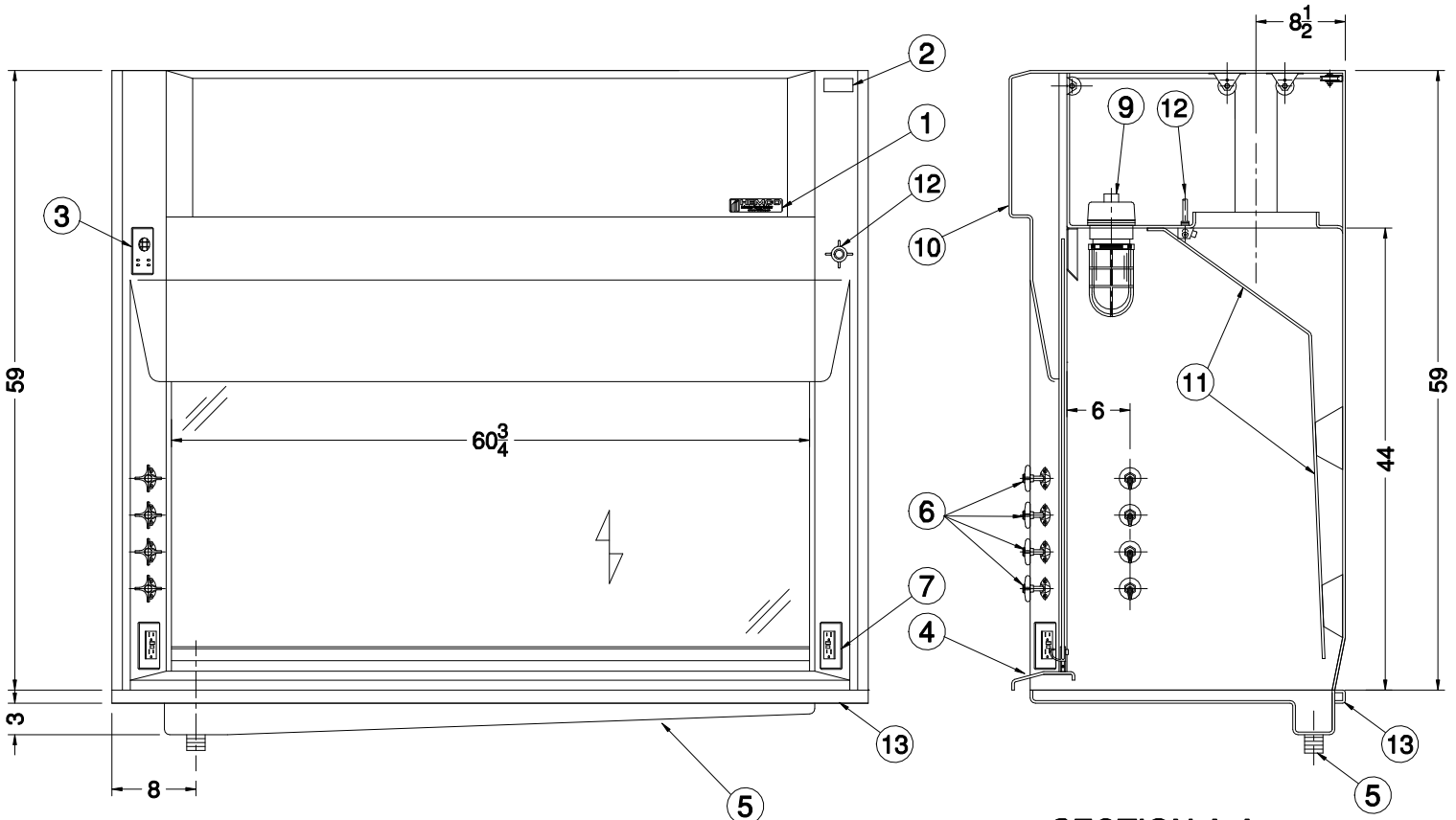
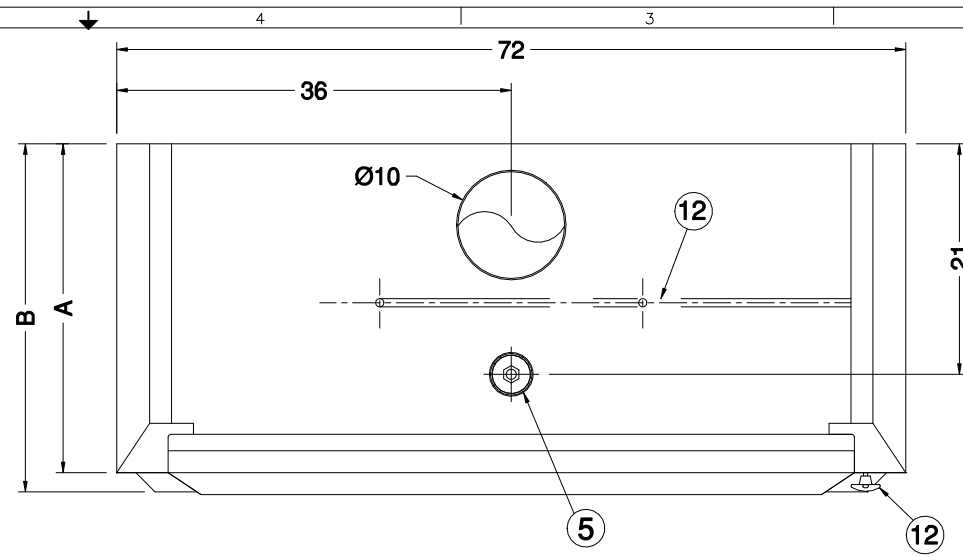
SECTION A-A

NOTE:
ALL ELECTRICAL COMPONENTS UL
AND CSA LISTED

1. NAME PLATE
2. SER. # & I.D. PLATE
3. AIR FLOW MONITOR 12V 115VAC
4. AIR FOIL
5. DRAIN TROUGH (OPT)
6. SERVICE FIXTURES LEFT OR RIGHT (OPT)
7. DUPLEX RECEPTACLE 115-230 15A 20A GFI (OPT)
8. VERTICAL RISING SASH (CLEAR TEMPERED SAFETY GLASS)
9. EXPLOSION PROOF LIGHT FIXTURE CLASS I DIV II
10. REMOVABLE ACCESS PANEL
11. VARAFLOW BAFFLE SYSTEM
12. FUME CHAMBER WASHDOWN VALVE
13. WORKSURFACE (WELDED INTEGRAL TO FUME CHAMBER)

PART #	DIM "A"	DIM "B"
12601	30	32
12611	36	38

316 SS PERCHLORIC ACID FUME HOOD



SECTION A-A

72" PERCHLORIC ACID FUME HOOD

HEMCO Corporation

DRAWN BY: **HDK** DATE: **05/11/19** DWG. NO. **#12000**

PROPRIETARY AND CONFIDENTIAL
THE INFORMATION CONTAINED IN THIS DRAWING IS THE SOLE PROPERTY OF HEMCO CORPORATION. ANY REPRODUCTION IN PART OR AS A WHOLE WITHOUT THE WRITTEN PERMISSION OF HEMCO CORPORATION IS PROHIBITED.
PLANS & DRAWINGS ARE COPYRIGHTED BY *R. E. Hill* DATE **02/11/19** SCALE: **1" = 20"** SHEET **1** OF **1**

HEMCO
Laboratory Planning Solutions
711 S. Powell Rd.
Independence, MO 64056
PH: 816-796-2900
FAX: 816-796-3333
www.HEMCOcorp.com

REV: **A**