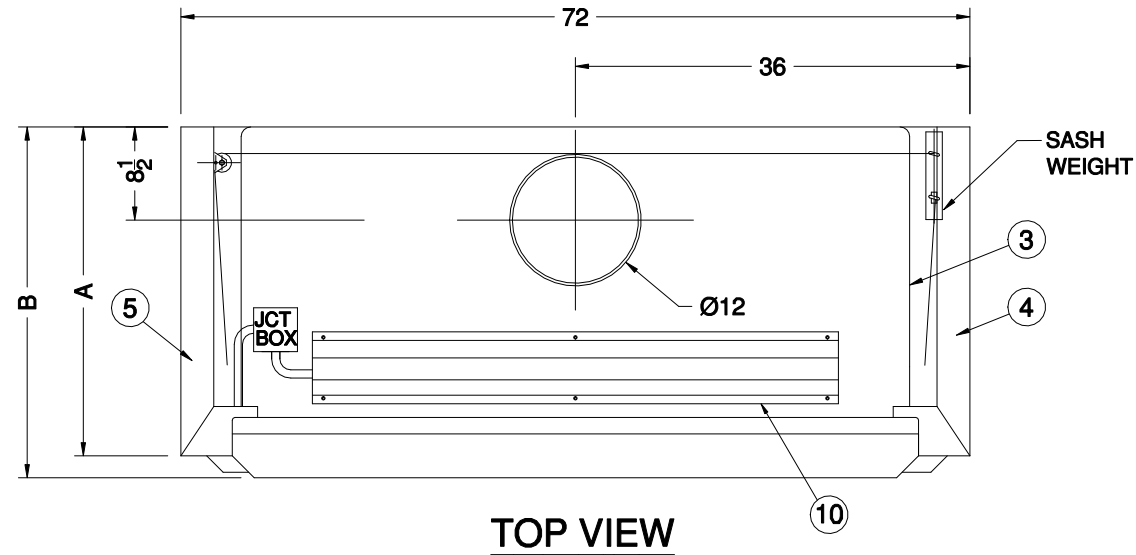
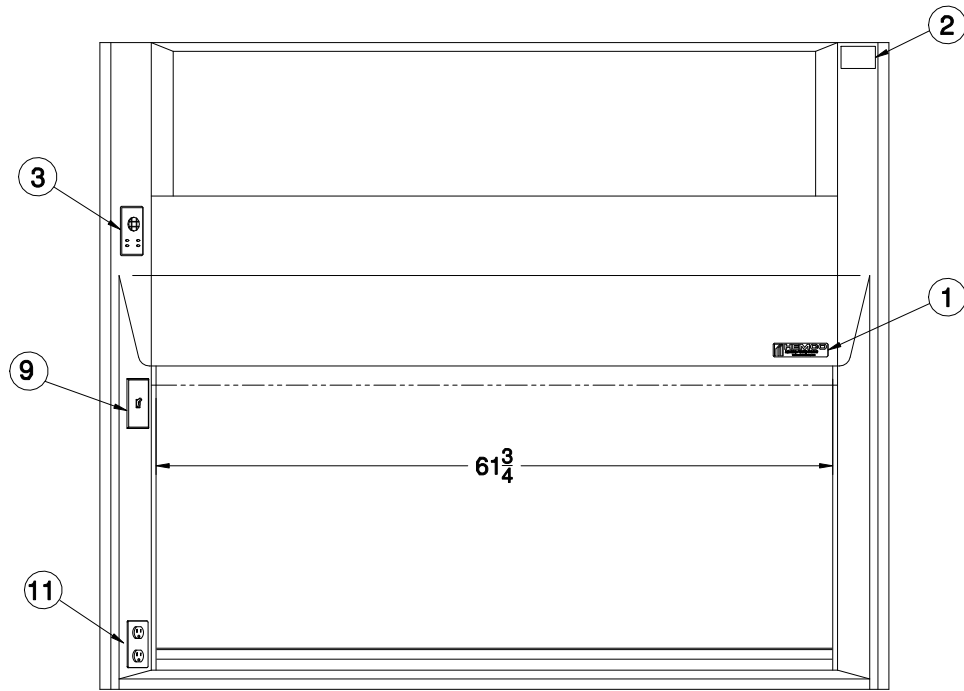


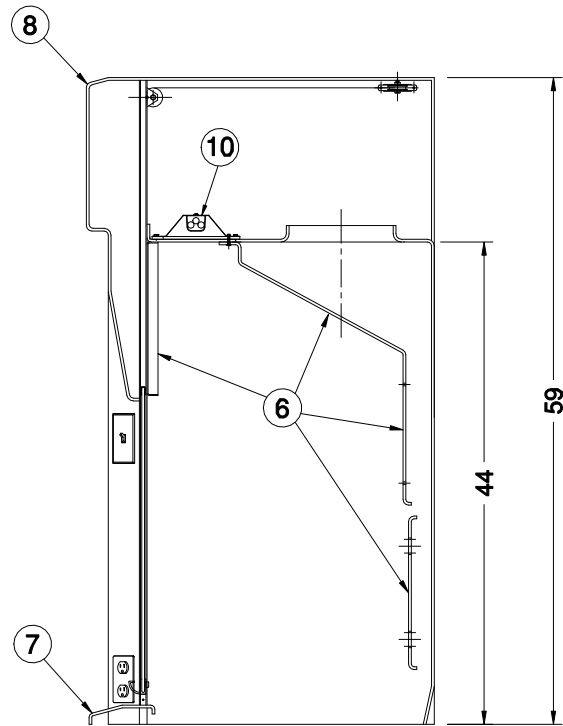
PART #	DIM "A"	DIM "B"
14601	30	32



**TOP VIEW**



**FRONT VIEW**



**SECTION A-A**

1. HEMCO NAMEPLATE
2. SERIAL NO. LABEL
3. SS 304 FUME CHAMBER / WORKSURFACE
4. FIBERGLASS SHELL RIGHT
5. FIBERGLASS SHELL LEFT
6. 3 PIECE SS 304 BAFFLE
7. STAINLESS STEEL OR FIBERGLASS AIRFOIL
8. FRONT ACCESS PANEL
9. LIGHT SWITCH 115V, 15 AMP
10. VAPOR PROOF LED LIGHT FIXTURE, 115V
11. DUPLEX RECEPTACLE 115-230 15A 20A GFI (OPT)

**NOTE:**  
ALL ELECTRICAL COMPONENTS UL AND CSA LISTED

**304 SS RADIOISOTOPE FUME HOOD**  
HEMCO Corporation

DRAWN BY: **HDK** DATE: **05/11/19** DWG. NO. **STD-14601**

PROPRIETARY AND CONFIDENTIAL  
THE INFORMATION CONTAINED IN THIS DRAWING IS THE SOLE PROPERTY OF HEMCO CORPORATION. ANY REPRODUCTION IN PART OR AS A WHOLE WITHOUT THE WRITTEN PERMISSION OF HEMCO CORPORATION IS PROHIBITED.  
BY *R. E. Hill* DATE **02/11/19** MODEL NO: **#14601**  
SCALE: **1" = 20"** SHEET **1** OF **1**

**HEMCO**  
Laboratory Planning Solutions  
711 S. Powell Rd.  
Independence, MO 64056  
PH: 816-796-2900  
FAX: 816-796-3333  
www.HEMCOcorp.com

REV: **A**