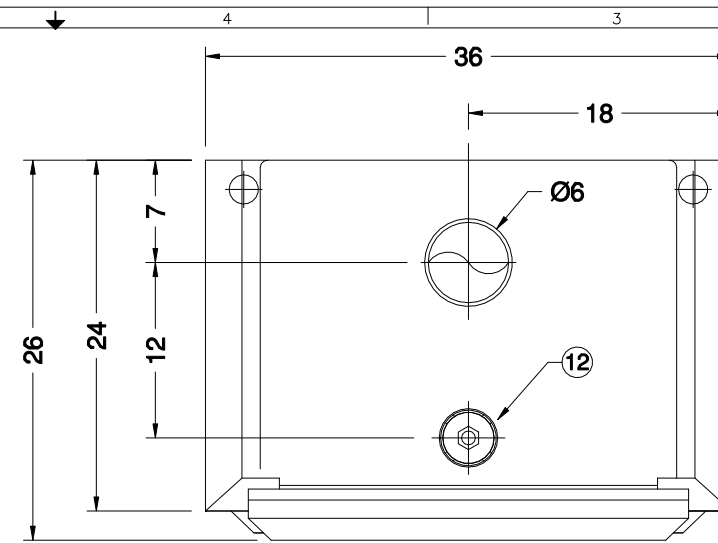
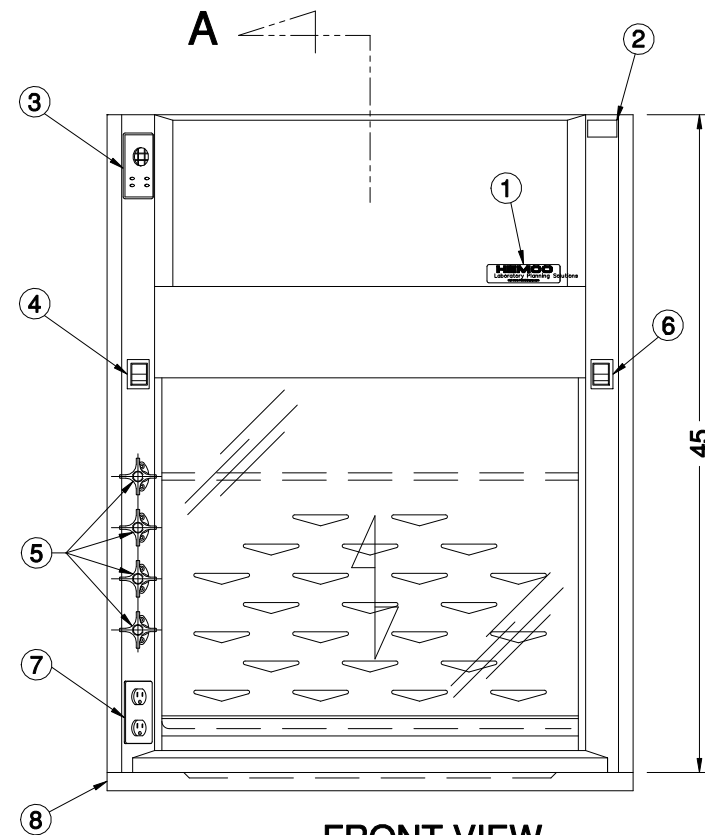


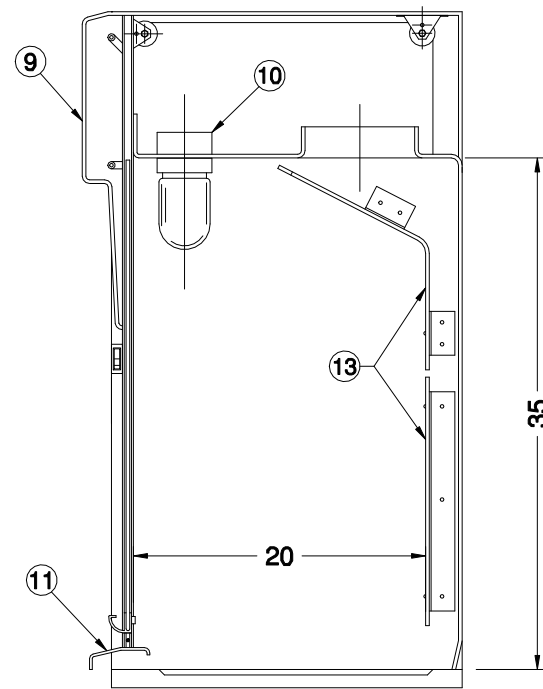
13641
VAPOR PROOF
LIGHT FIXTURE



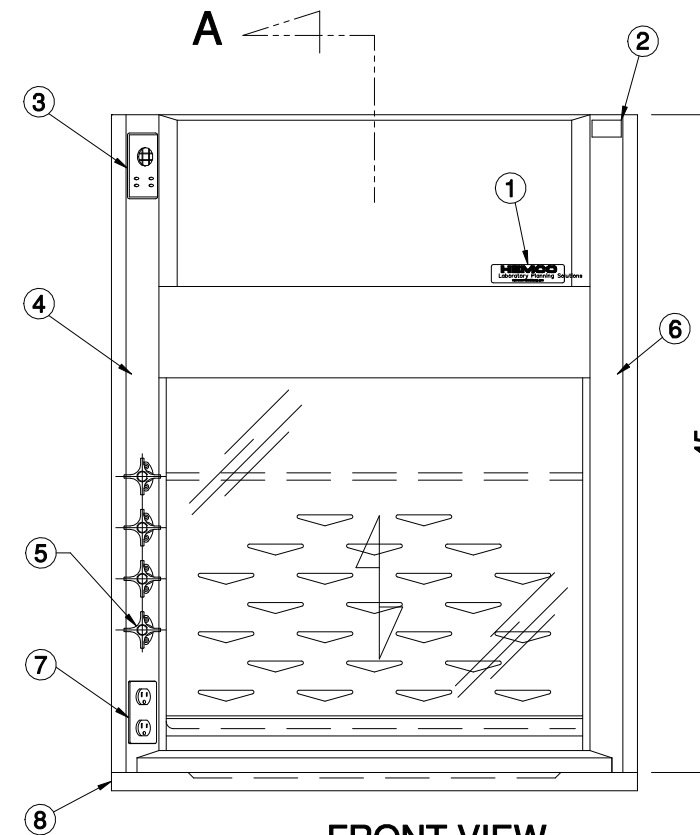
13643
EXPLOSION PROOF
LIGHT FIXTURE



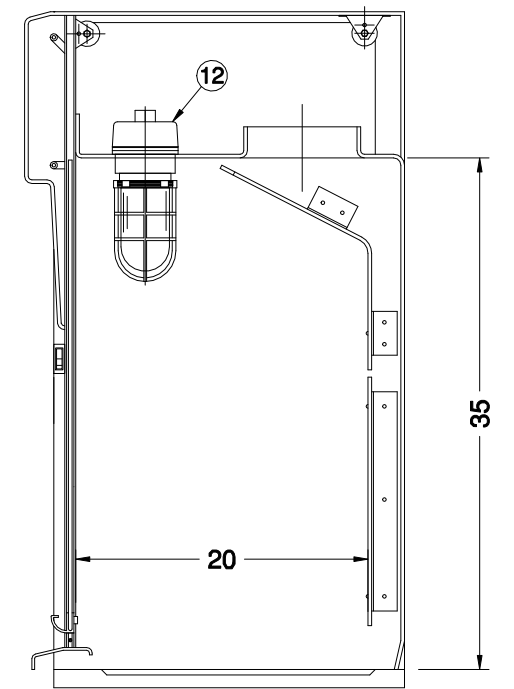
FRONT VIEW



SECTION A-A



FRONT VIEW



SECTION A-A

1. NAME PLATE
2. SERIAL # & I.D. PLATE
3. AIR FLOW MONITOR 12V 115VAC (OPT)
4. LIGHT SWITCH LEFT OR RIGHT (OPT)
5. SERVICE FIXTURES LEFT OR RIGHT (OPT)
6. BLOWER SWITCH (OPT)
7. DUPLEX RECEPT. 115-230 15A 20A GFI (OPT)
8. WORK SURFACE BLACK EPOXY RESIN, PHENOLIC OR COMPOSITE (OPT)
9. REMOVABLE ACCESS PANEL
10. LED LIGHT FIXTURE 115V UL LISTED
11. AIR FOIL
12. EXPLOSION PROOF LIGHT FIXTURE CLASS I DIV II
13. BAFFLE SYSTEM

NOTE: ALL ELECTRICAL COMPONENTS UL AND CSA LISTED

UNIFLOW 36" CE AIRE STREAM FUME HOOD
HEMCO Corporation

DRAWN BY: **HDK** DATE: **05/11/19** DWG. NO. **STD-13640**

PROPRIETARY AND CONFIDENTIAL
THE INFORMATION CONTAINED IN THIS DRAWING IS THE SOLE PROPERTY OF HEMCO CORPORATION. ANY REPRODUCTION IN PART OR AS A WHOLE WITHOUT THE WRITTEN PERMISSION OF HEMCO CORPORATION IS PROHIBITED.
BY *R. E. Hill* DATE **02/11/19** MODEL NO: **#88888**
SCALE: **1" = 1'-0"**
SHEET **1** OF **1**

HEMCO
Laboratory Planning Solutions
711 S. Powell Rd.
Independence, MO 64056
PH: 816-796-2900
FAX: 816-796-3333
www.HEMCOcorp.com

REV: **A**