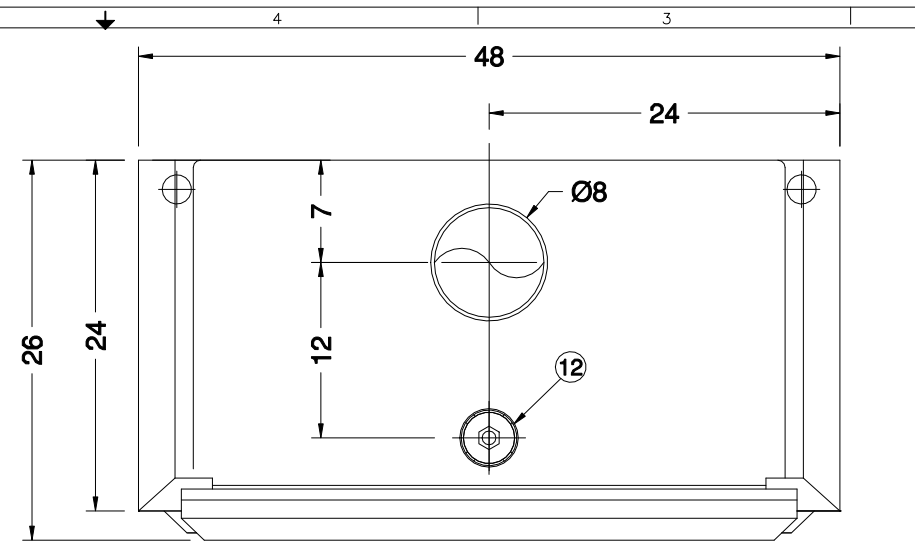
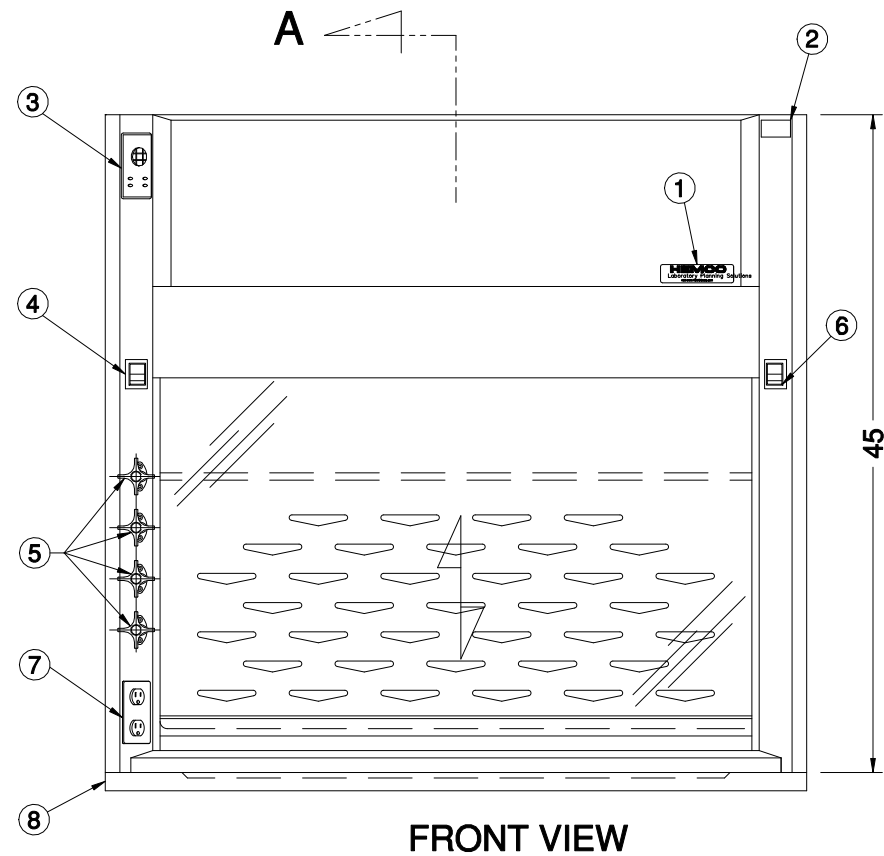


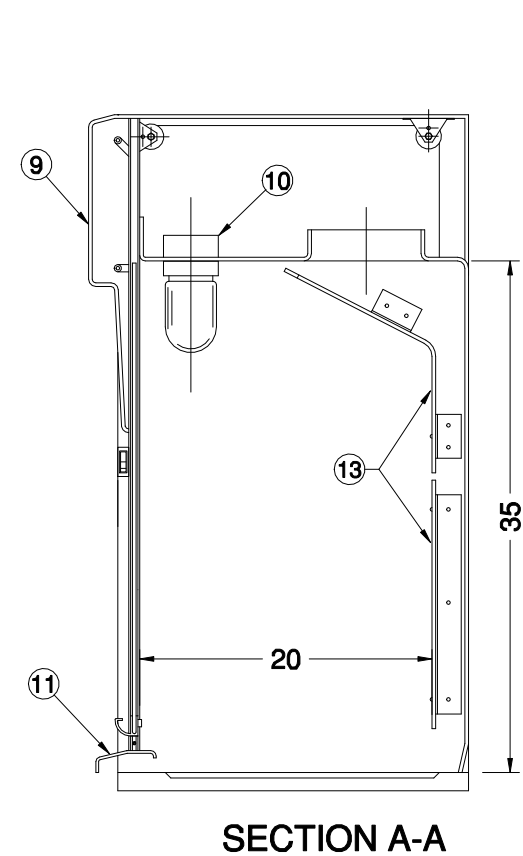
**14841**  
VAPOR PROOF  
LIGHT FIXTURE



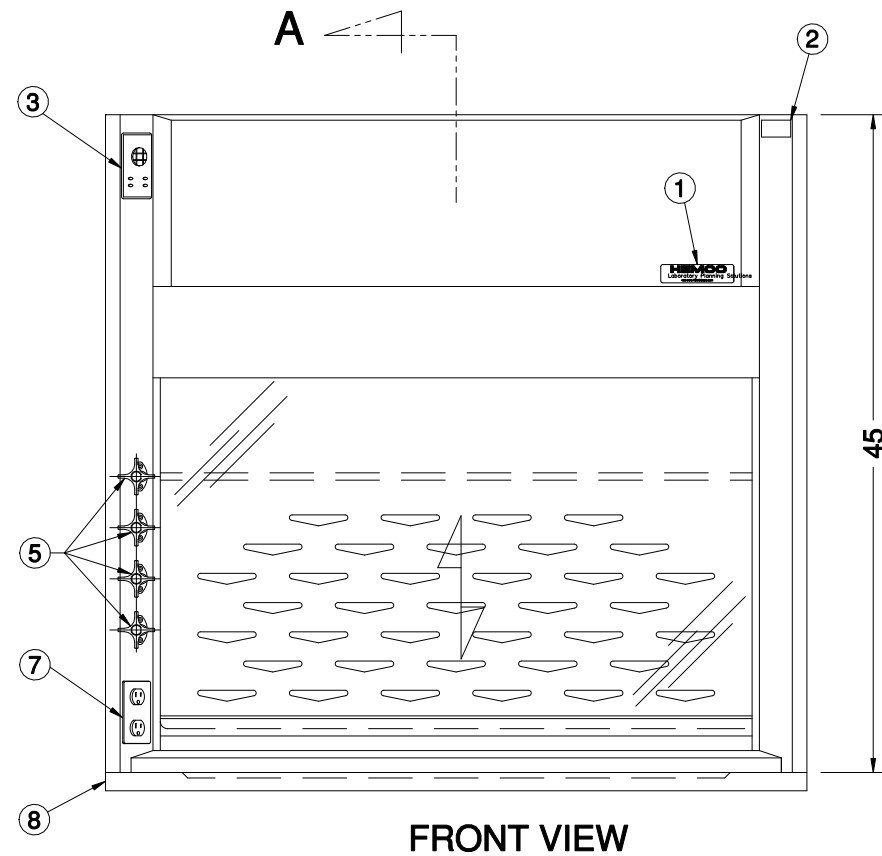
**14843**  
EXPLOSION PROOF  
LIGHT FIXTURE



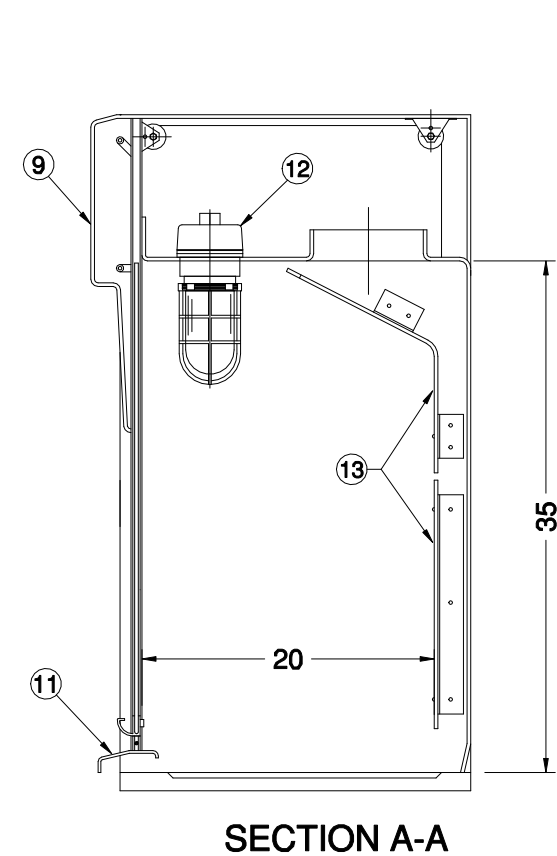
**FRONT VIEW**



**SECTION A-A**



**FRONT VIEW**



**SECTION A-A**

- 1. NAME PLATE
- 2. SERIAL # & I.D. PLATE
- 3. AIR FLOW MONITOR 12V 115VAC (OPT)
- 4. LIGHT SWITCH LEFT OR RIGHT (OPT)
- 5. SERVICE FIXTURES LEFT OR RIGHT (OPT)
- 6. BLOWER SWITCH (OPT)
- 7. DUPLEX RECEPT. 115-230 15A 20A GFI (OPT)
- 8. WORK SURFACE BLACK EPOXY RESIN, PHENOLIC OR COMPOSITE (OPT)
- 9. REMOVABLE ACCESS PANEL
- 10. LED LIGHT FIXTURE 115V UL LISTED
- 11. AIR FOIL
- 12. EXPLOSION PROOF LIGHT FIXTURE CLASS I DIV II
- 13. BAFFLE SYSTEM

**NOTE: ALL ELECTRICAL COMPONENTS UL AND CSA LISTED**

**UNIFLOW 48" CE AIRE STREAM FUME HOOD**  
HEMCO Corporation

DRAWN BY: <b>HDK</b>	DATE: <b>05/11/19</b>	DWG. NO. <b>STD-14840</b>
PROPRIETARY AND CONFIDENTIAL		
THE INFORMATION CONTAINED IN THIS DRAWING IS THE SOLE PROPERTY OF HEMCO CORPORATION. ANY REPRODUCTION IN PART OR AS A WHOLE WITHOUT THE WRITTEN PERMISSION OF HEMCO CORPORATION IS PROHIBITED.		
BY: <i>R. E. Hill</i>	DATE: <b>02/11/19</b>	MODEL NO. <b>STD-14840</b>
711 S. Powell Rd. Independence, MO 64056 PH: 816-796-2900 FAX: 816-796-3333		SCALE: <b>1" = 1'-0"</b>
Laboratory Planning Solutions www.HEMCOcorp.com		SHEET <b>1</b> OF <b>1</b>

REV: **A**