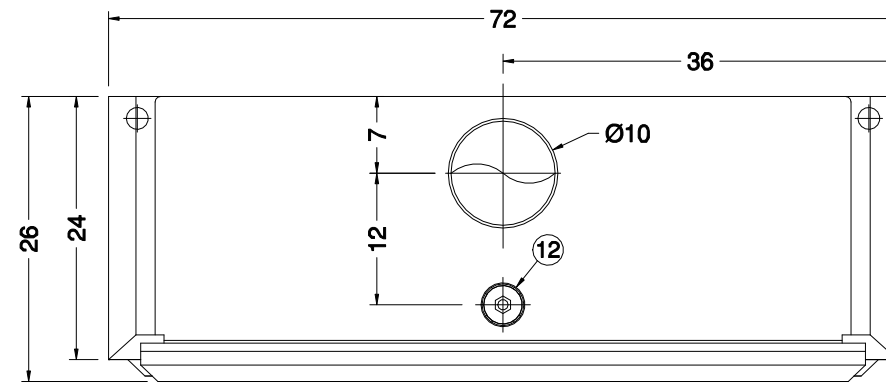
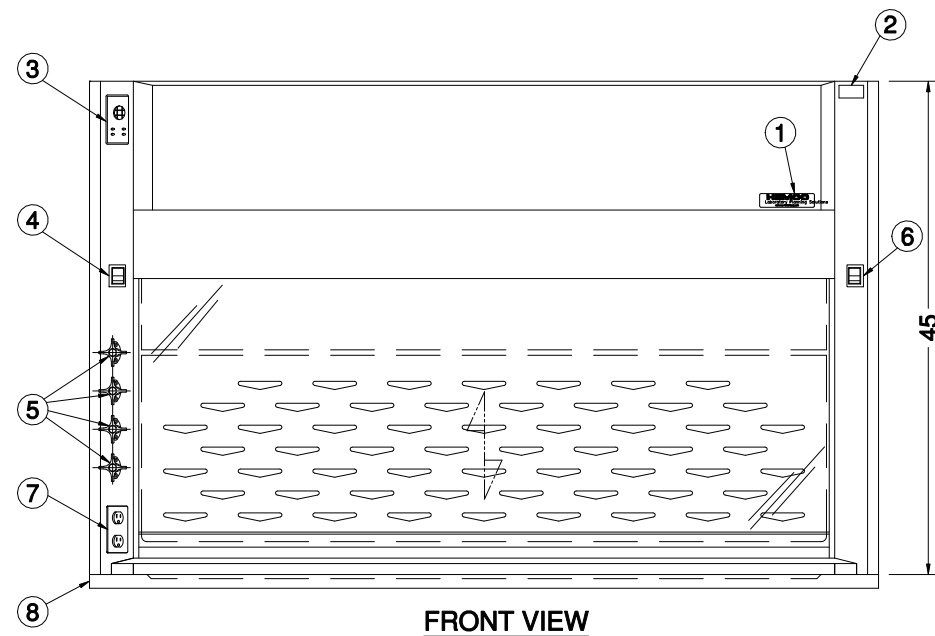


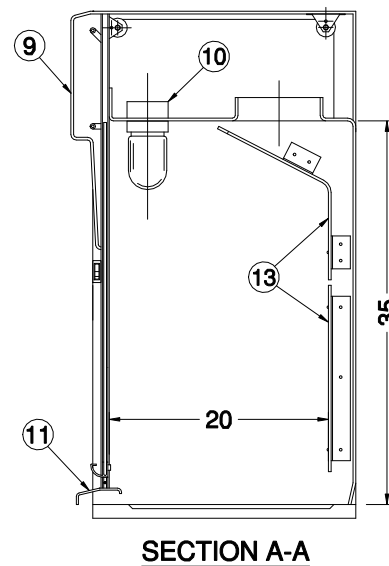
17241
VAPOR PROOF
LIGHT FIXTURE



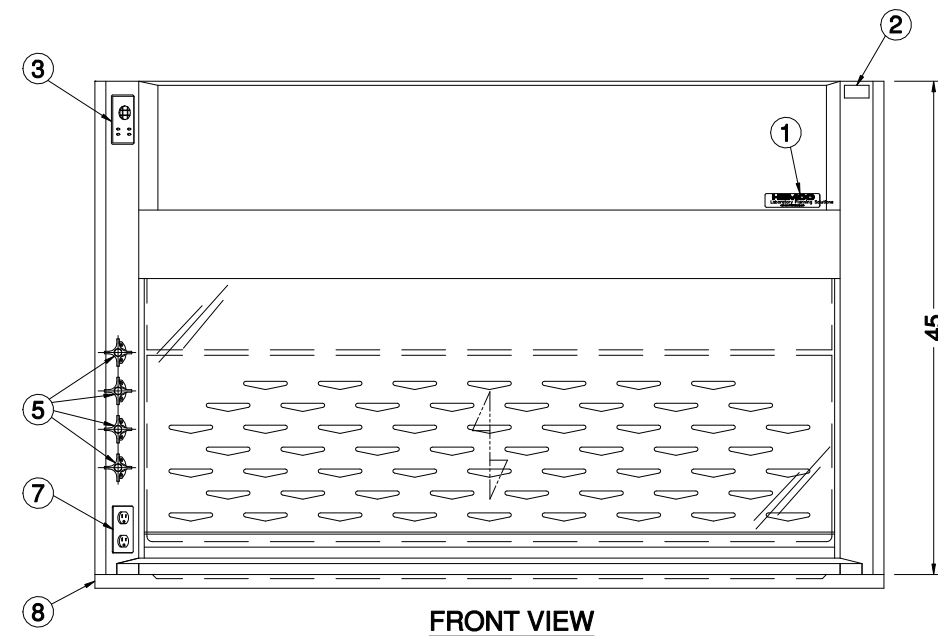
17243
EXPLOSION PROOF
LIGHT FIXTURE



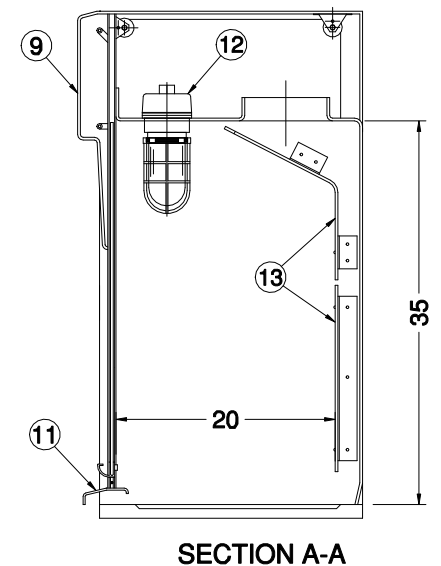
FRONT VIEW



SECTION A-A



FRONT VIEW



SECTION A-A

1. NAME PLATE
2. SERIAL # & I.D. PLATE
3. AIR FLOW MONITOR 12V 115VAC (OPT)
4. LIGHT SWITCH LEFT OR RIGHT (OPT)
5. SERVICE FIXTURES LEFT OR RIGHT (OPT)
6. BLOWER SWITCH (OPT)
7. DUPLEX RECEPT. 115-230 15A 20A GFI (OPT)
8. WORK SURFACE BLACK EPOXY RESIN, PHENOLIC OR COMPOSITE (OPT)
9. REMOVABLE ACCESS PANEL
10. LED LIGHT FIXTURE 115V UL LISTED
11. AIR FOIL
12. EXPLOSION PROOF LIGHT FIXTURE CLASS I DIV II
13. BAFFLE SYSTEM

**NOTE: ALL ELECTRICAL
COMPONENTS UL AND
CSA LISTED**

UNIFLOW 72" CE AIRE STREAM FUME HOOD			
HEMCO Corporation			
DRAWN BY:	DATE:	DWG. NO.	MODEL NO:
HDK	05/11/19	STD-17240	#88888
PROPRIETARY AND CONFIDENTIAL			
THE INFORMATION CONTAINED IN THIS DRAWING IS THE SOLE PROPERTY OF HEMCO CORPORATION. ANY REPRODUCTION IN PART OR AS A WHOLE WITHOUT THE WRITTEN PERMISSION OF HEMCO CORPORATION IS PROHIBITED.			
BY: <i>R. E. Hill</i>		DATE: 02/11/19	SCALE: 1" = 1'-0"
711 S. Powell Rd. Independence, MO 64056 PH: 816-796-2900 FAX: 816-796-3333 www.HEMCOcorp.com		SHEET 1 OF 1 REV: A	
HEMCO Laboratory Planning Solutions			