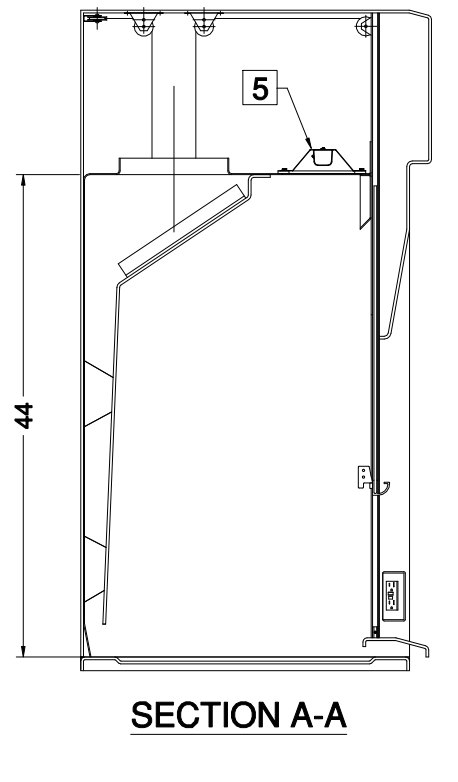
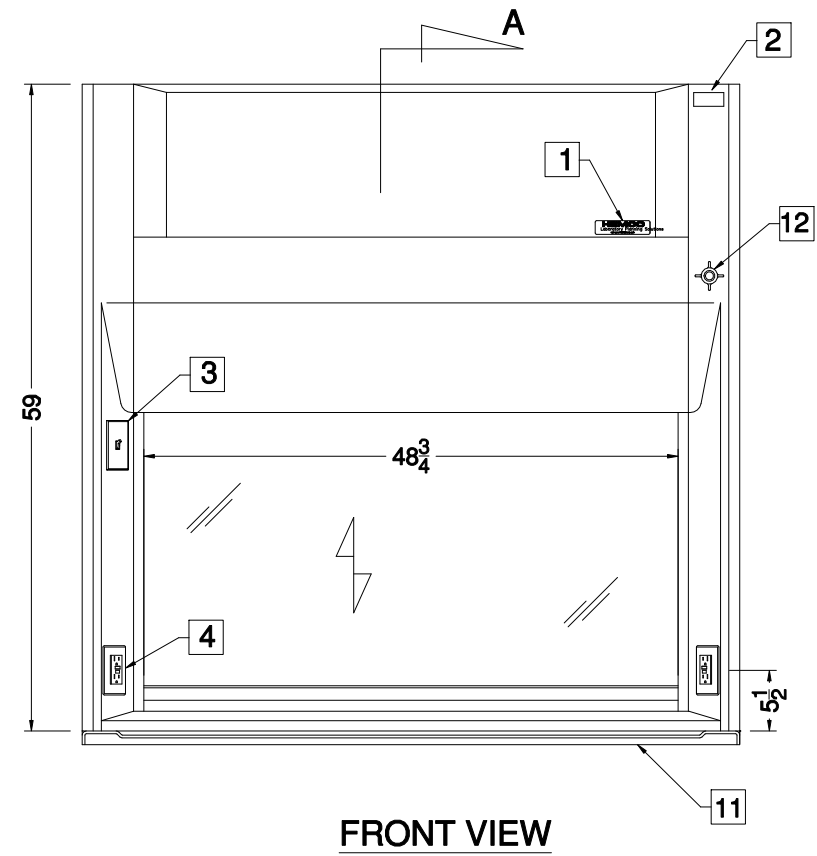
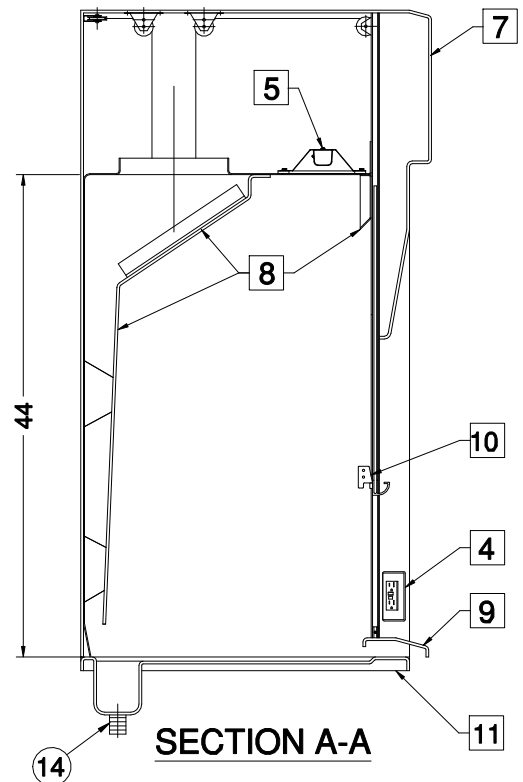
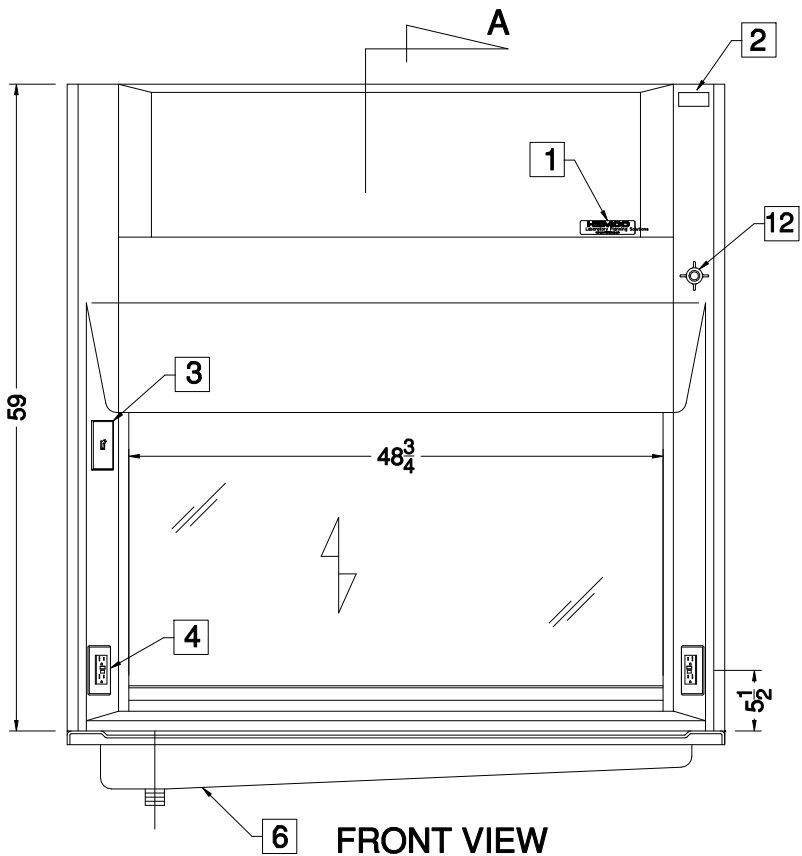
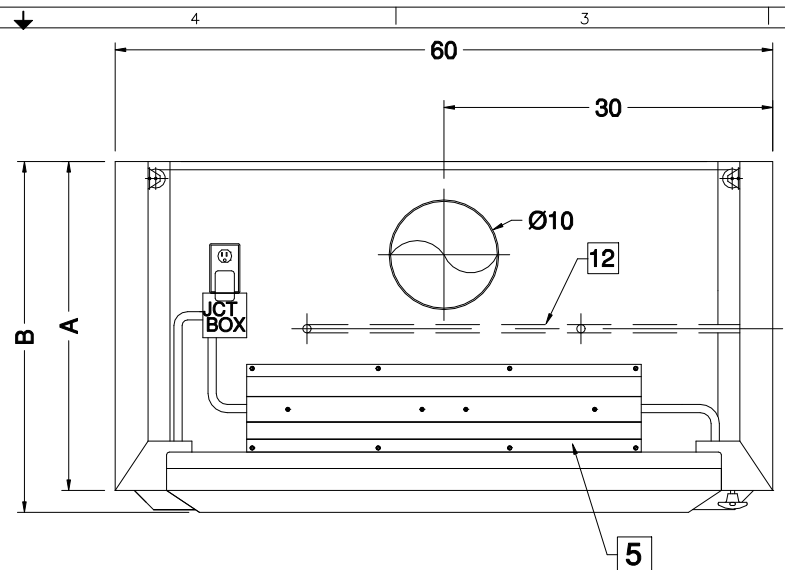
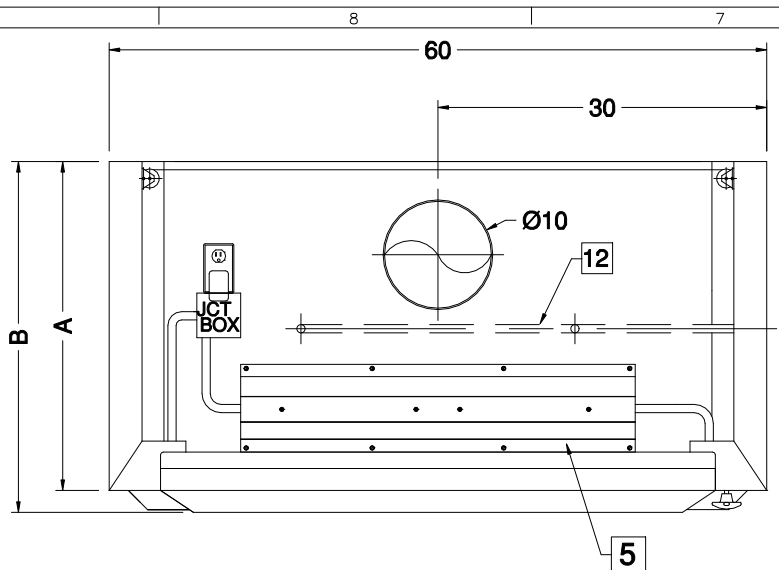


PART #	DIM "A"	DIM "B"
23511	30	32
23521	36	38

PART #	DIM "A"	DIM "B"
23531	30	32
23541	36	38



1. NAME PLATE
2. SER. # & I.D. PLATE
3. LIGHT SWITCH
4. GFI DUPLEX RECEPTACLE 115-230 15A 20A
5. VAPOR PROOF LED LIGHT FIXTURE
6. DRAIN TROUGH
7. REMOVABLE ACCESS PANEL
8. VARAFLOW BAFFLE SYSTEM
9. AIR FOIL
10. SASH STOP
11. HDPE WORKSURFACE (WELDED INTEGRAL TO FUME CHAMBER))

NOTE:
ALL ELECTRICAL COMPONENTS UL AND CSA LISTED

60" HDPE ACID DIGESTION FUME HOOD
HEMCO Corporation

DRAWN BY: **HDK** DATE: **05/11/19** DWG. NO. **ADFH-VPL**

PROPRIETARY AND CONFIDENTIAL

THE INFORMATION CONTAINED IN THIS DRAWING IS THE SOLE PROPERTY OF HEMCO CORPORATION. ANY REPRODUCTION IN PART OR AS A WHOLE WITHOUT THE WRITTEN PERMISSION OF HEMCO CORPORATION IS PROHIBITED.

BY *R. E. Hill* DATE **02/11/19**

HEMCO Laboratory Planning Solutions

711 S. Powell Rd.
Independence, MO 64056
PH: 816-796-2900
FAX: 816-796-3333
www.HEMCOcorp.com

MODEL NO: #
SCALE: 1" = 1'-0"
SHEET 1 OF 1
REV: **A**