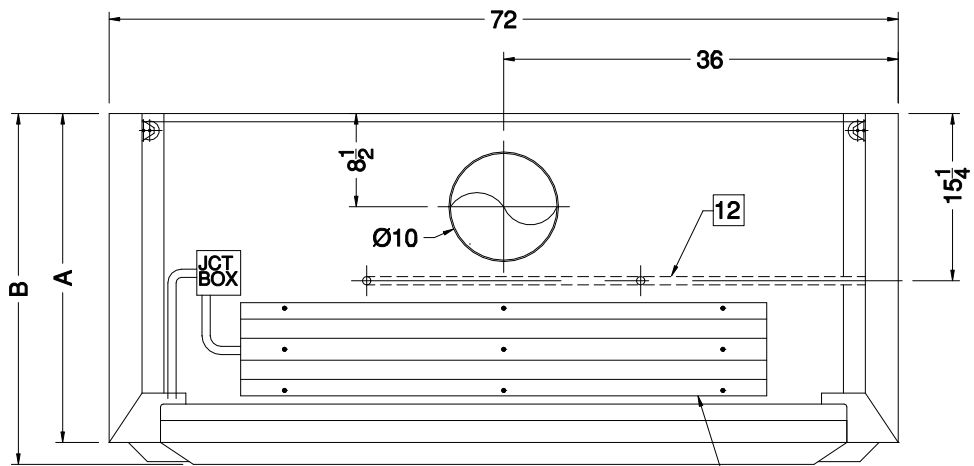
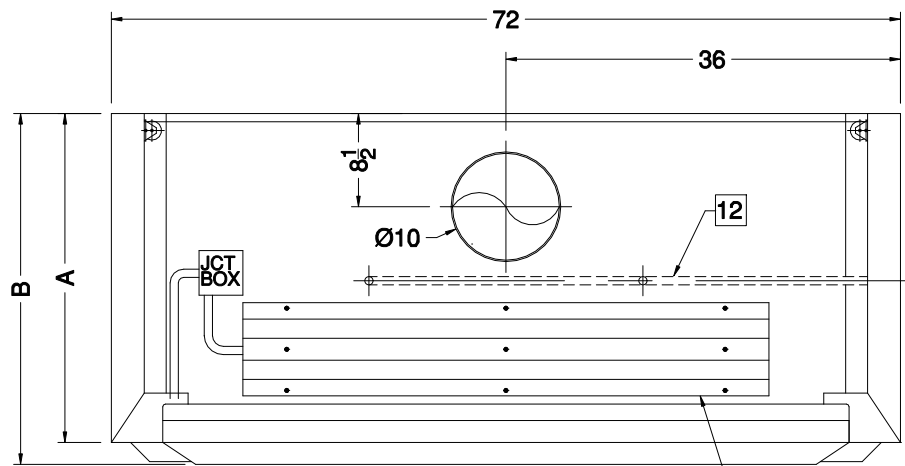


PART #	DIM "A"	DIM "B"
23611	30	32
23621	36	38

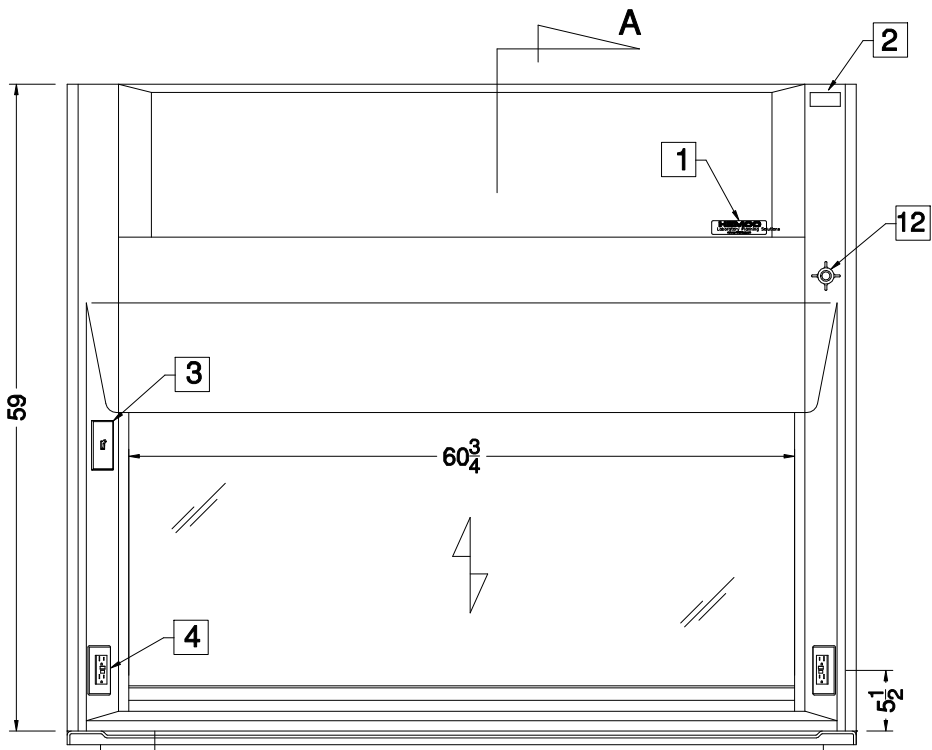
PART #	DIM "A"	DIM "B"
23631	30	32
23641	36	38



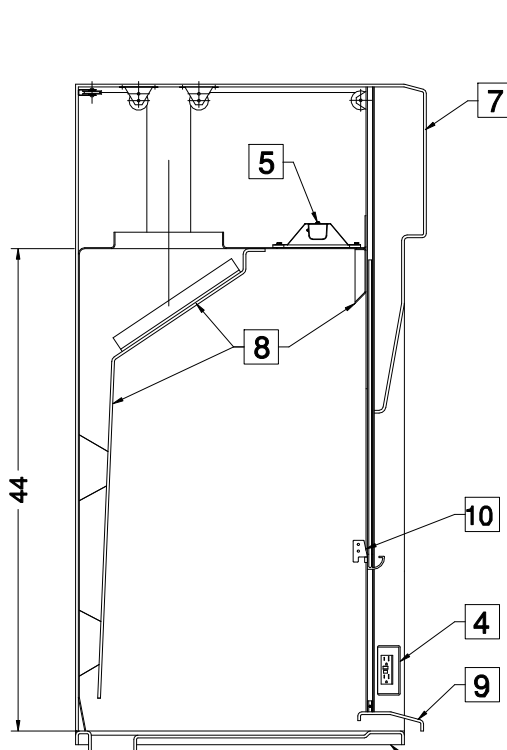
TOP VIEW



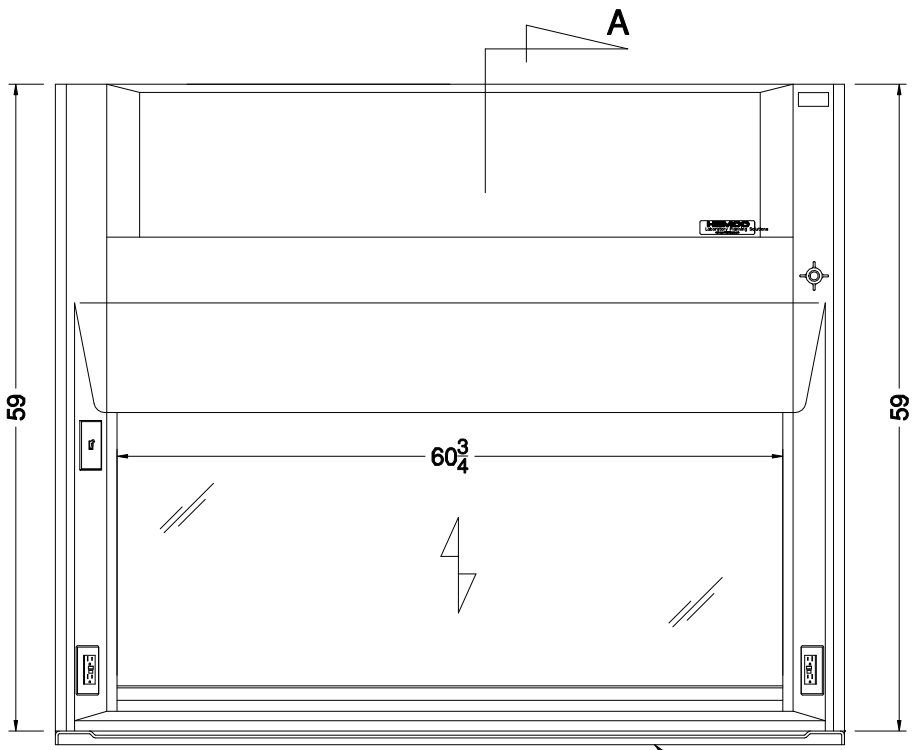
TOP VIEW



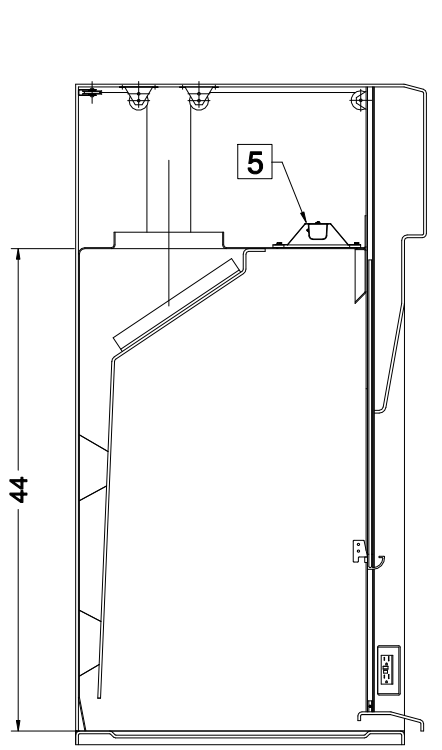
FRONT VIEW



SECTION A-A



FRONT VIEW



SECTION A-A

- 1. NAME PLATE
- 2. SER. # & I.D. PLATE
- 3. LIGHT SWITCH
- 4. GFI DUPLEX RECEPTACLE 115-230 15A 20A
- 5. VAPOR PROOF LED LIGHT FIXTURE
- 6. DRAIN TROUGH
- 7. REMOVABLE ACCESS PANEL
- 8. VARIFLOW BAFFLE SYSTEM
- 9. AIR FOIL
- 10. SASH STOP
- 11. HDPE WORKSURFACE (WELDED INTEGRAL TO FUME CHAMBER))
- 12. FUME CHAMBER WASHDOWN VALVE

NOTE:
ALL ELECTRICAL COMPONENTS UL AND CSA LISTED

72" HDPE ACID DIGESTION FUME HOOD
HEMCO Corporation

DRAWN BY: **HDK** DATE: **05/11/19** DWG. NO. **ADFH-VPL**

PROPRIETARY AND CONFIDENTIAL

THE INFORMATION CONTAINED IN THIS DRAWING IS THE SOLE PROPERTY OF HEMCO CORPORATION. ANY REPRODUCTION IN PART OR AS A WHOLE WITHOUT THE WRITTEN PERMISSION OF HEMCO CORPORATION IS PROHIBITED.

BY *R. E. Hill* DATE **02/11/19**

HEMCO 711 S. Powell Rd. Independence, MO 64056
 PH: 816-796-2900
 FAX: 816-796-3333
 Laboratory Planning Solutions www.HEMCOcorp.com

MODEL NO: #
 SCALE: 1" = 1'-0"
 SHEET 1 OF 1
 REV: **A**