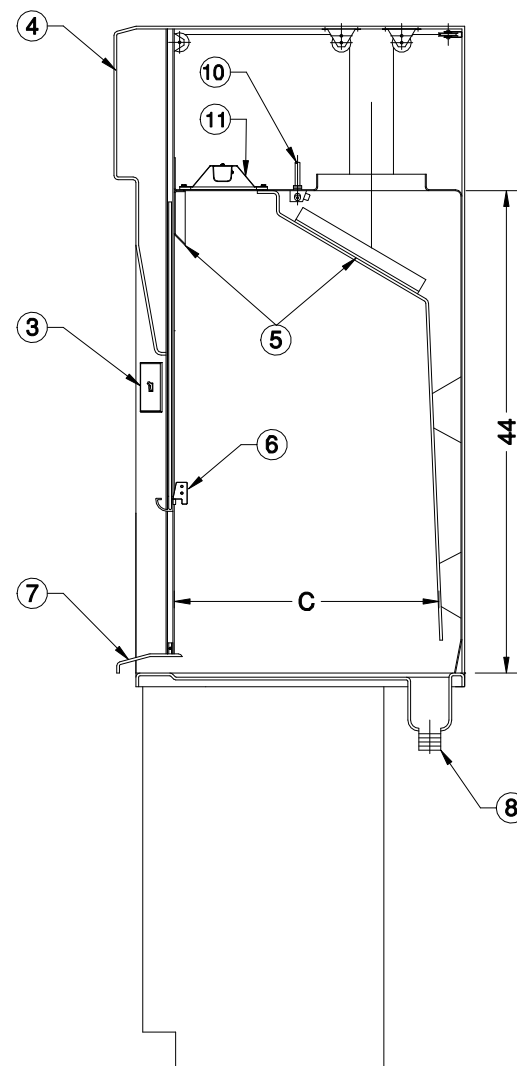
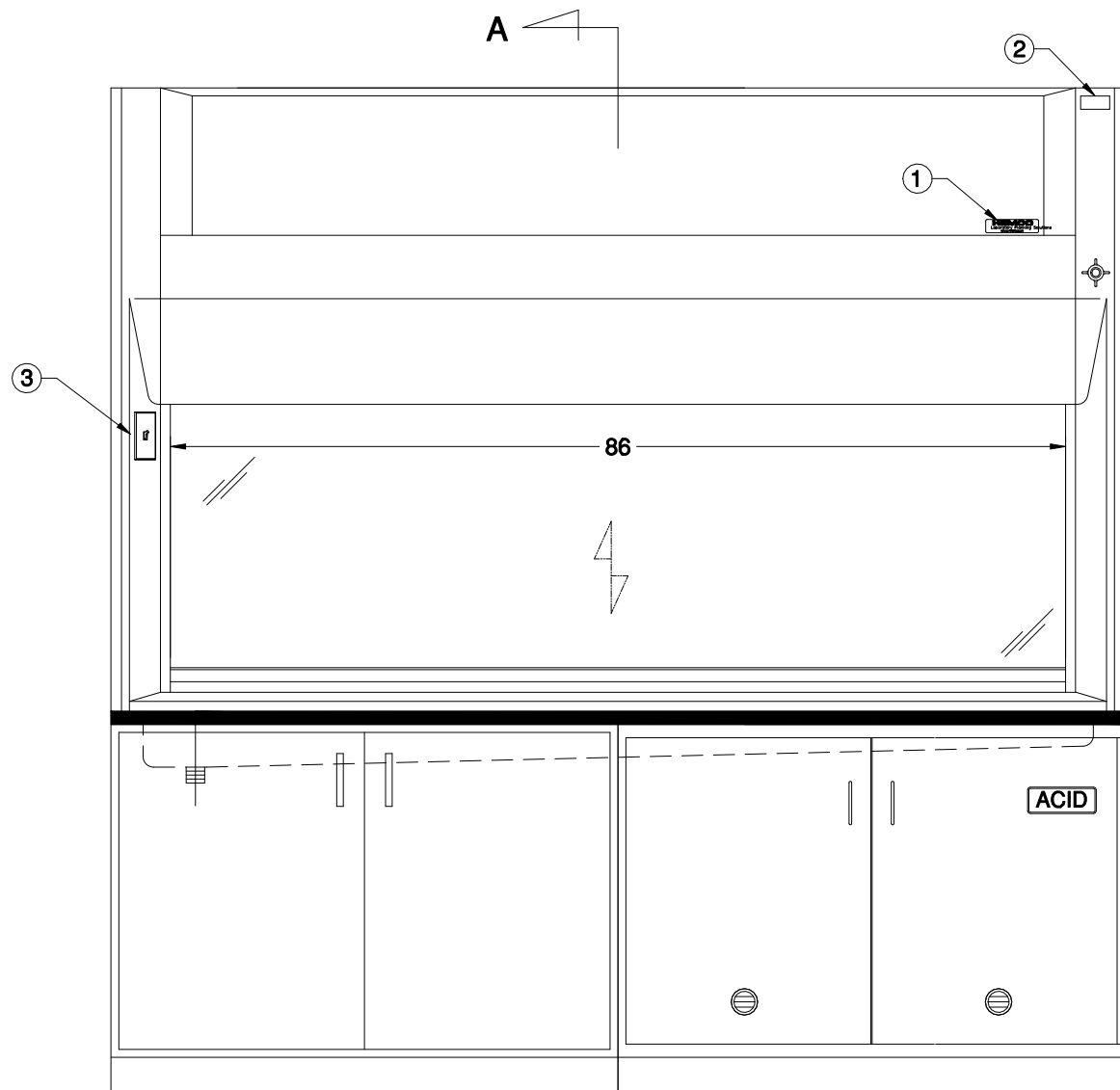


**TOP VIEW**



PART NUMBER	DIM "A"	DIM "B"	DIM "C"
11080	30	32	22
11082	36	38	28
11083	48	50	40
INTERNATIONAL 220V/50Hz AC			
11182	30	32	22
11183	36	38	28
11184	48	50	40

**NOTES:**

1. NAME PLATE
2. SER. # & I.D. PLATE
3. LIGHT SWITCH
4. ACCESS PANEL
5. VERAFLow BAFFLE SYSTEM
6. SASH STOP
7. AIRFOIL
8. FLOOR MOUNT
9. DRAIN TROUGH
10. WASHDOWN NOZZLES
11. VAPOR PROOF LED LIGHT FIXTURE

**UNIFLOW 96" HDPE ACID DIGESTION FUME HOOD**  
**HEMCO Corporation**

DRAWN BY: **HDK** DATE: **05/11/19** DWG. NO. **96" - ADFH**

PROPRIETARY AND CONFIDENTIAL  
 THE INFORMATION CONTAINED IN THIS DRAWING IS THE SOLE PROPERTY OF HEMCO CORPORATION. ANY REPRODUCTION IN PART OR AS A WHOLE WITHOUT THE WRITTEN PERMISSION OF HEMCO CORPORATION IS PROHIBITED.  
 PLANS & DRAWINGS ARE COPYRIGHTED BY *R. E. Hill* DATE **02/11/19**

**HEMCO**  
 Laboratory Planning Solutions  
 711 S. Powell Rd.  
 Independence, MO 64056  
 PH: 816-796-2900  
 FAX: 816-796-3333  
 www.HEMCOcorp.com

MODEL NO: #  
 SCALE: 1" = 1'-0"  
 SHEET 1 OF 1  
 REV: **A**