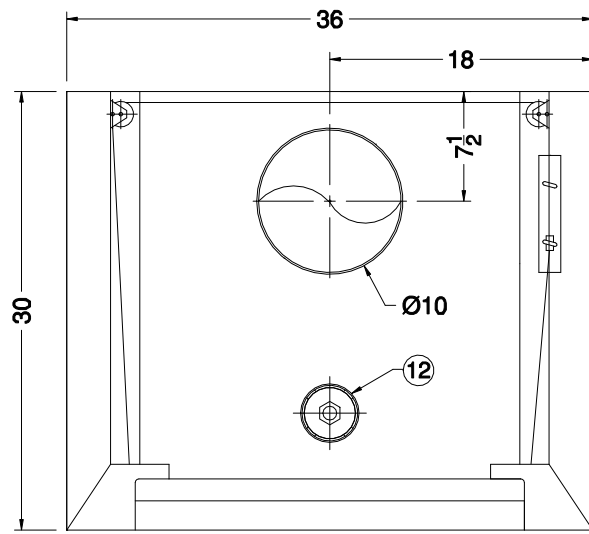


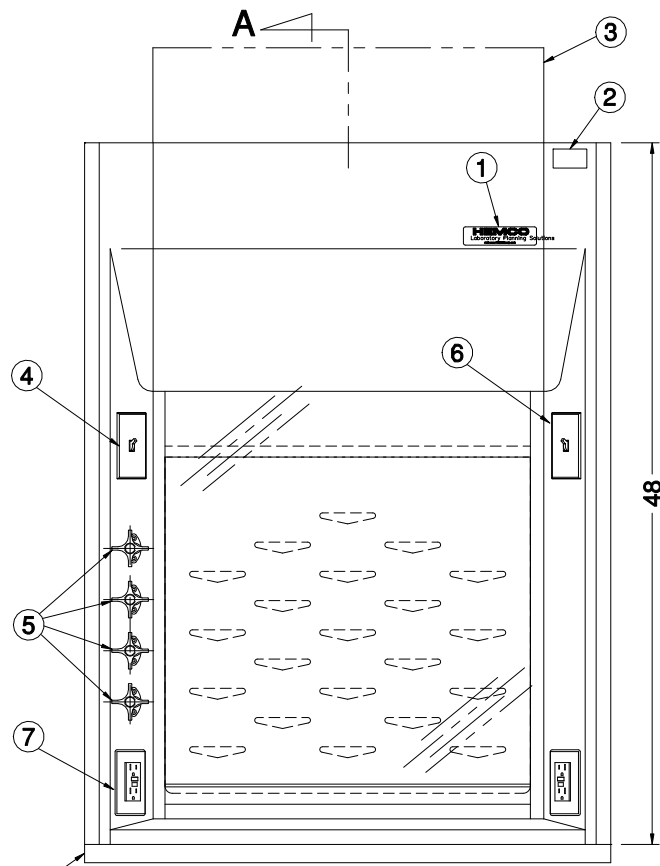
PART NUMBER	BYPASS
35361	CAV
35362	VAV
INTERNATIONAL 220V/50Hz AC	
35324	CAV

ALL OF THE ABOVE HAVE VAPOR PROOF LIGHT FIXTURES

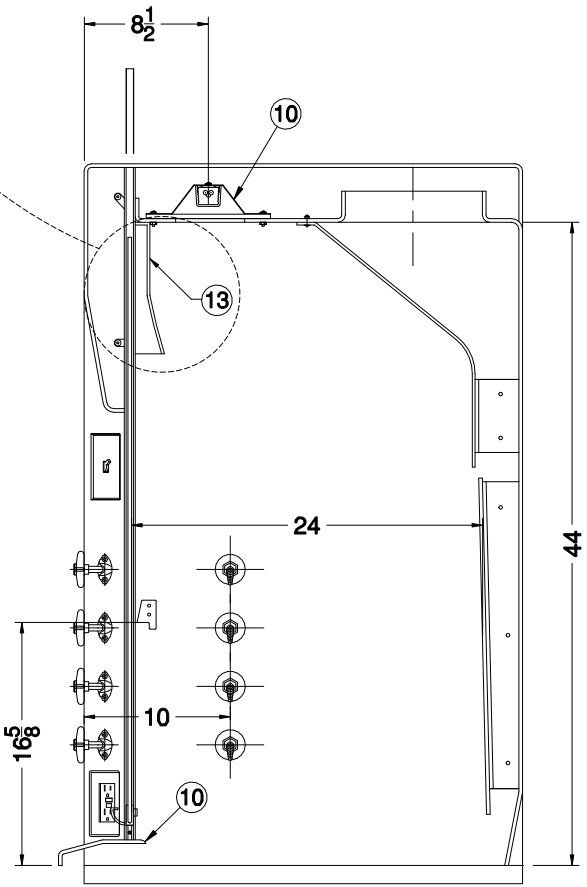


PART NUMBER	BYPASS
35363	CAV

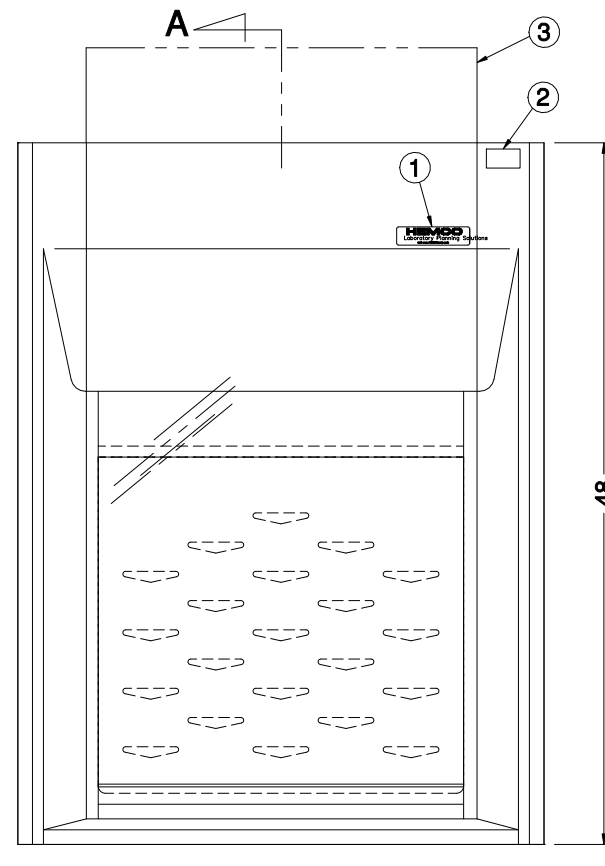
EXPLOSION PROOF LIGHT FIXTURE



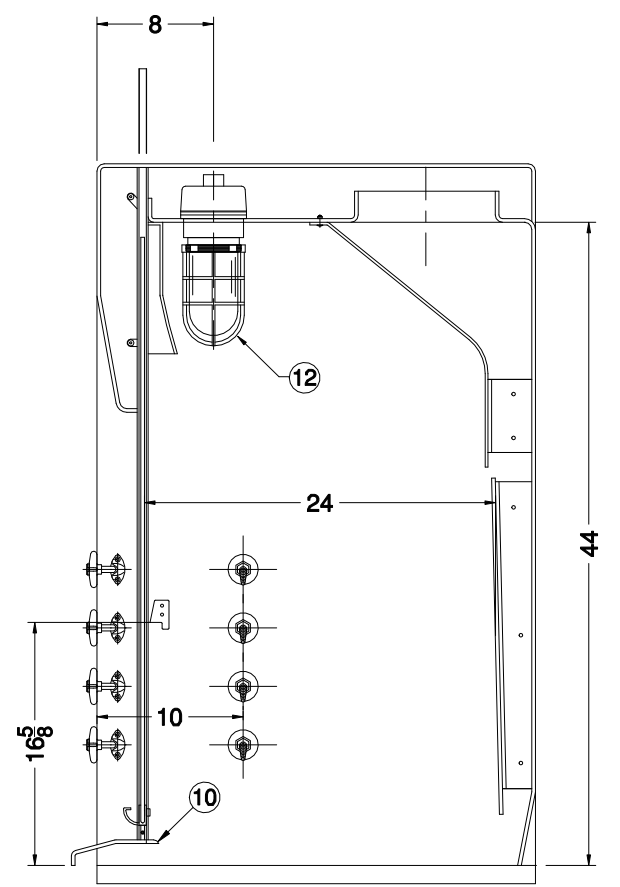
FRONT VIEW



SECTION A-A



FRONT VIEW



SECTION A-A

1. NAME PLATE
2. SERIAL # & I.D. PLATE
3. VERTICAL SASH RAISES ABOVE TOP OF HOOD 11"
4. LIGHT SWITCH LEFT OR RIGHT (OPT)
5. SERVICE FIXTURES LEFT OR RIGHT (OPT)
6. BLOWER SWITCH (OPT)
7. GFI DUPLEX RECEPT. 115-230 15A 20A (OPT)
8. WORK SURFACE BLACK EPOXY RESIN, PHENOLIC OR COMPOSITE (OPT)
9. VAV RESTRICTED PANEL
10. LED LIGHT FIXTURE 115V UL LISTED
11. AIR FOIL
12. EXPLOSION PROOF LIGHT FIXTURE CLASS I DIV II
13. BAFFLE SYSTEM

**UNIFLOW 36" LE AIRE STREAM FUME HOOD**  
**HEMCO Corporation**

DRAWN BY: **HDK** DATE: **05/11/19** DWG. NO. **STD-36" LE**

PROPRIETARY AND CONFIDENTIAL

THE INFORMATION CONTAINED IN THIS DRAWING IS THE SOLE PROPERTY OF HEMCO CORPORATION. ANY REPRODUCTION IN PART OR AS A WHOLE WITHOUT THE WRITTEN PERMISSION OF HEMCO CORPORATION IS PROHIBITED.

PLANS & DRAWINGS ARE COPYRIGHTED BY *R. E. Hill* DATE **02/11/19**

711 S. Powell Rd.  
 Independence, MO 64056  
 PH: 816-796-2900  
 FAX: 816-796-3333  
 www.HEMCOcorp.com

SCALE: **1" = 1'-0"**  
 SHEET **1** OF **1**  
 REV: **A**