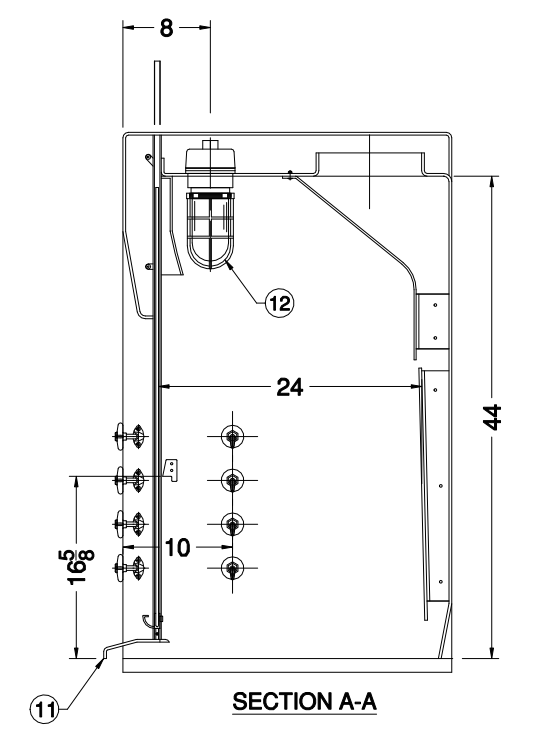
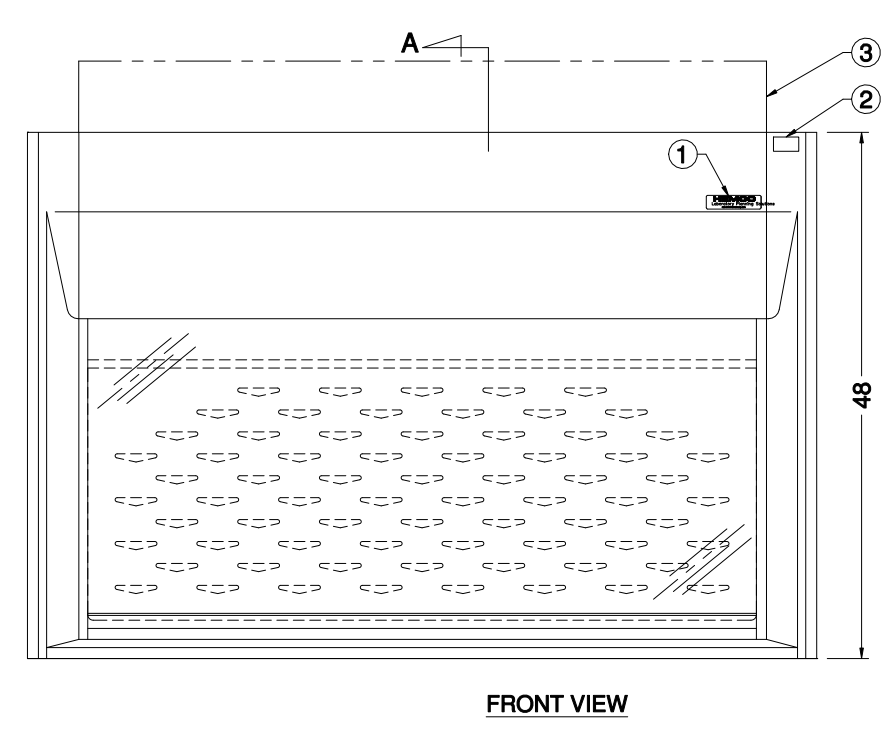
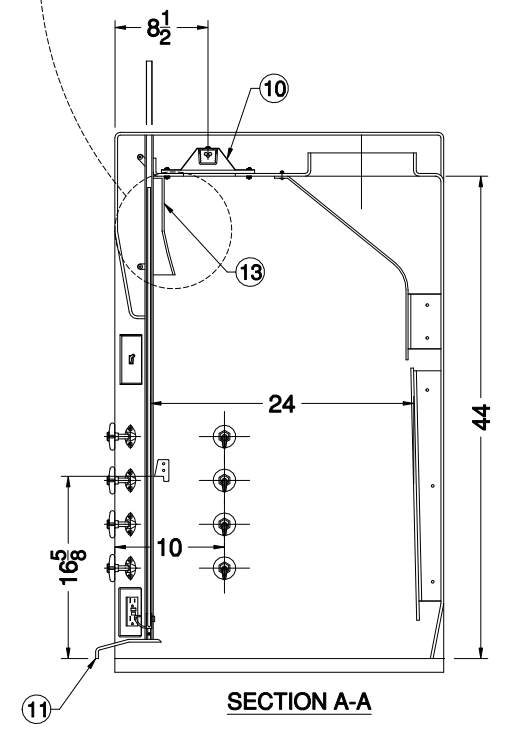
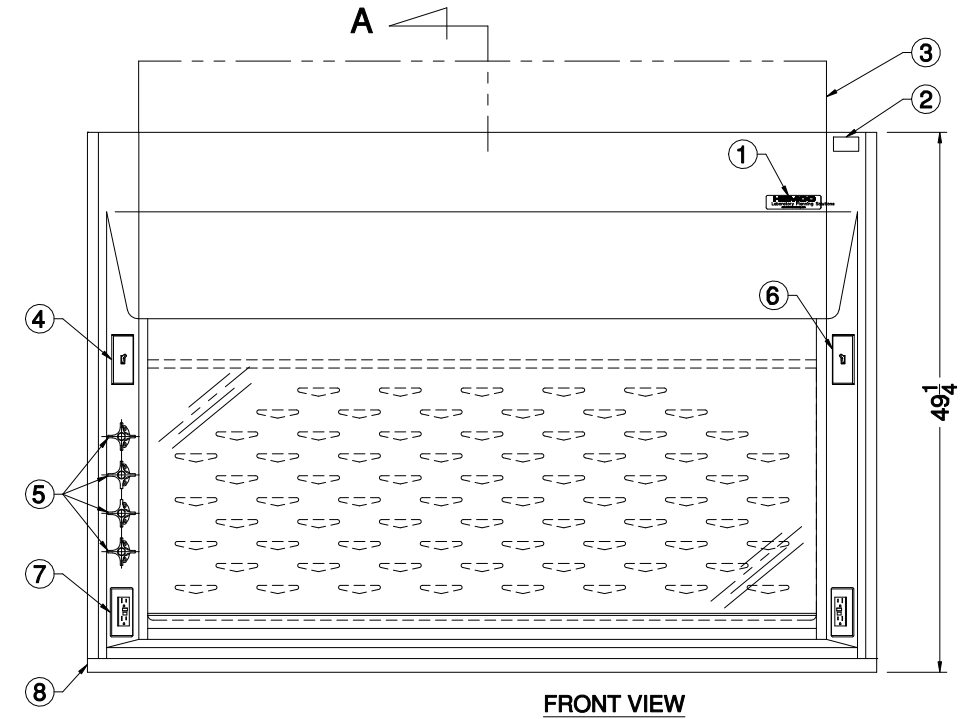
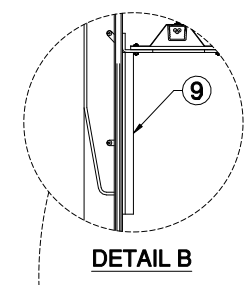
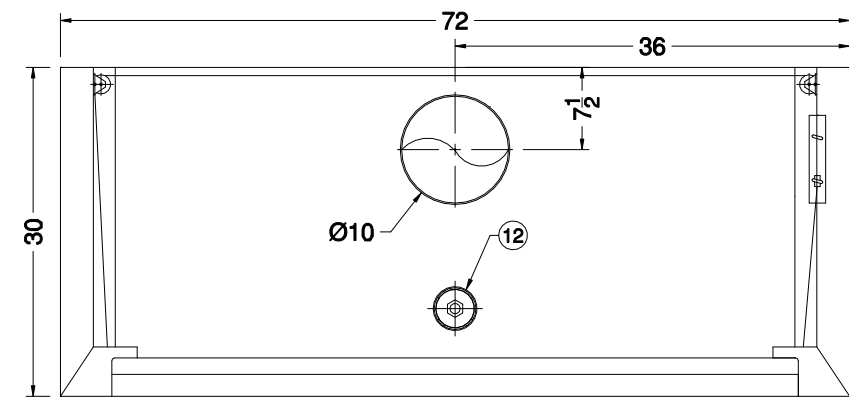
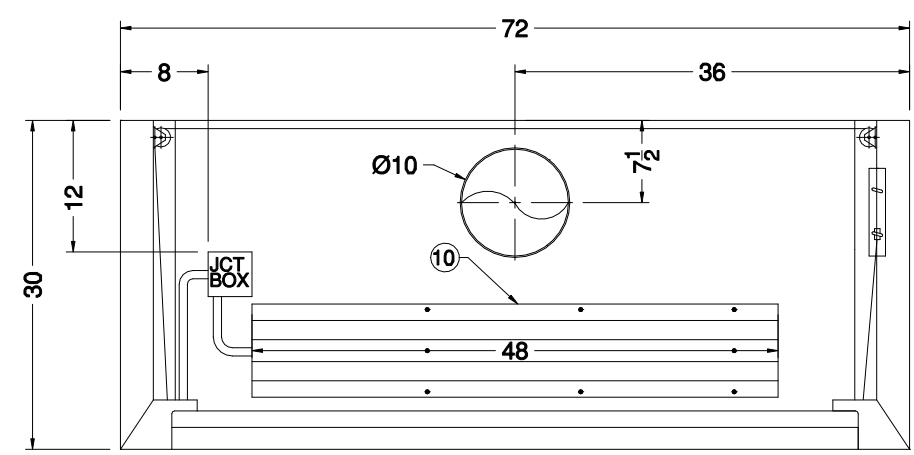


PART NUMBER	BYPASS
35661	CAV
35662	VAV
INTERNATIONAL 220V/50Hz AC	
35624	CAV

ALL OF THE ABOVE HAVE VAPOR PROOF LIGHT FIXTURES

PART NUMBER	BYPASS
35663	CAV

EXPLOSION PROOF LIGHT FIXTURE



1. NAME PLATE
2. SERIAL # & I.D. PLATE
3. VERTICAL SASH RAISES ABOVE TOP OF HOOD 11"
4. LIGHT SWITCH LEFT OR RIGHT (OPT)
5. SERVICE FIXTURES LEFT OR RIGHT (OPT)
6. BLOWER SWITCH (OPT)
7. GFI DUPLEX RECEPT. 115-230 15A 20A (OPT)
8. WORK SURFACE BLACK EPOXY RESIN, PHENOLIC OR COMPOSITE (OPT)
9. VAV RESTRICTED PANEL
10. LED LIGHT FIXTURE 115V UL LISTED
11. AIR FOIL
12. EXPLOSION PROOF LIGHT FIXTURE CLASS I DIV II
13. BAFFLE SYSTEM

UNIFLOW 72" LE AIRE STREAM FUME HOOD
HEMCO Corporation

DRAWN BY: **HDK** DATE: **05/11/19** DWG. NO. **STD-72" LE**

PROPRIETARY AND CONFIDENTIAL

THE INFORMATION CONTAINED IN THIS DRAWING IS THE SOLE PROPERTY OF HEMCO CORPORATION. ANY REPRODUCTION IN PART OR AS A WHOLE WITHOUT THE WRITTEN PERMISSION OF HEMCO CORPORATION IS PROHIBITED.

PLANS & DRAWINGS ARE COPYRIGHTED BY *R. E. Hill* DATE **02/11/19**

HEMCO Laboratory Planning Solutions
 711 S. Powell Rd.
 Independence, MO 64056
 PH: 816-796-2900
 FAX: 816-796-3333
 www.HEMCOcorp.com

MODEL NO: _____
 SCALE: **1" = 1'-0"**
 SHEET **1** OF **1**
 REV: **A**