

PART NUMBER	BYPASS
35861	CAV
35862	VAV

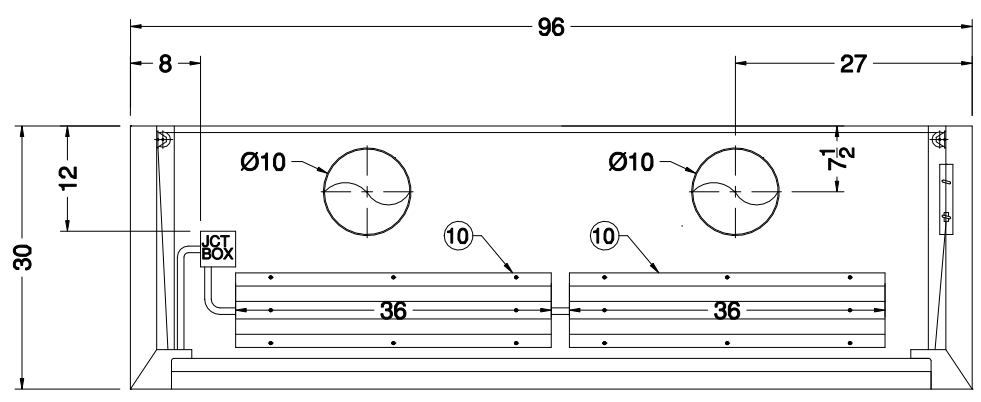
INTERNATIONAL 220V/50Hz AC

35824	CAV
-------	-----

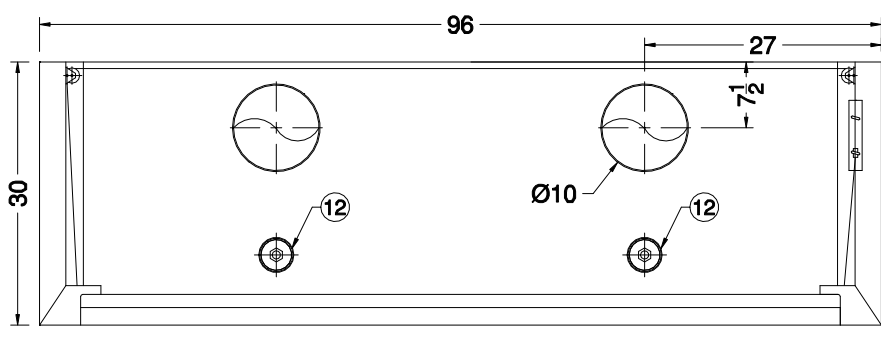
ALL OF THE ABOVE HAVE VAPOR PROOF LIGHT FIXTURES

PART NUMBER	BYPASS
35863	CAV

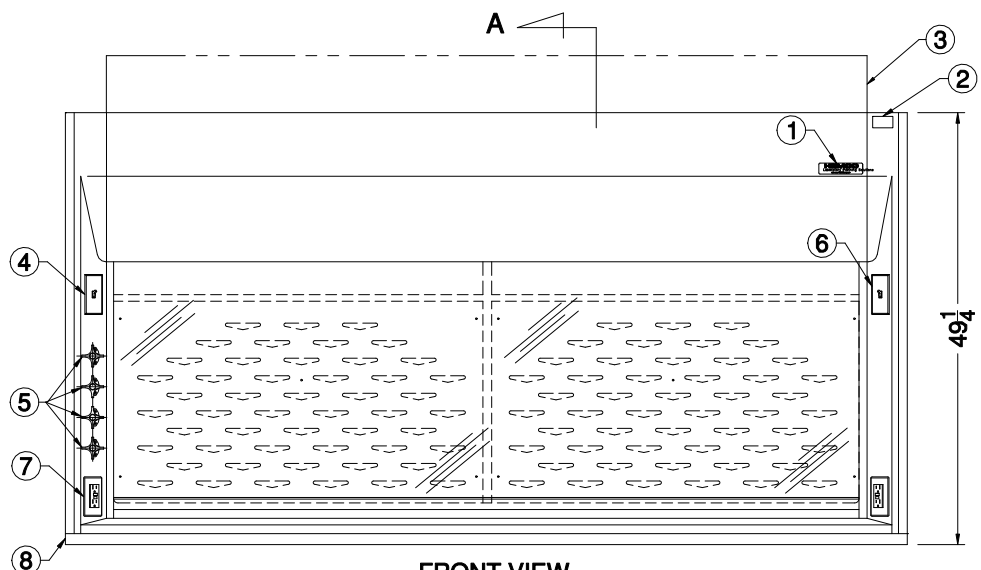
EXPLOSION PROOF LIGHT FIXTURE



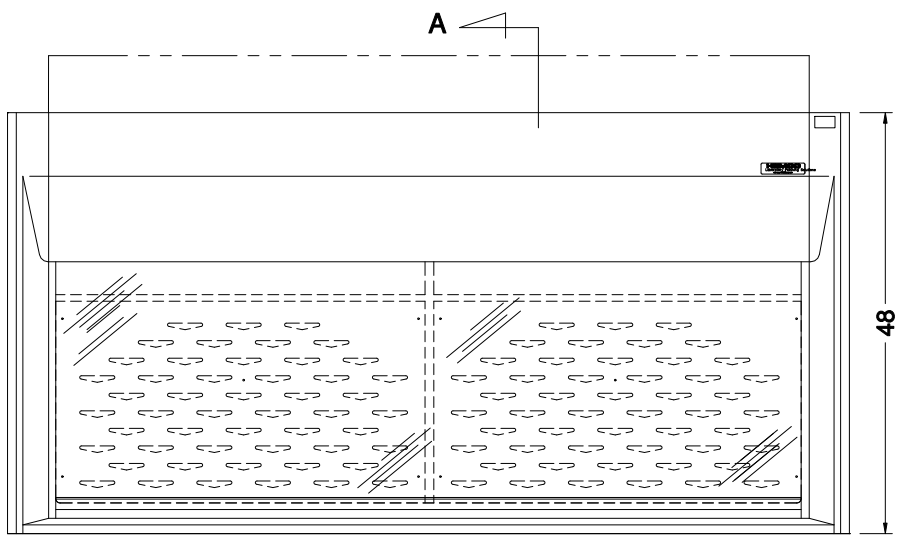
TOP VIEW



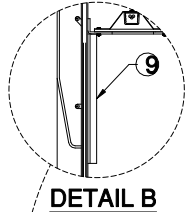
TOP VIEW



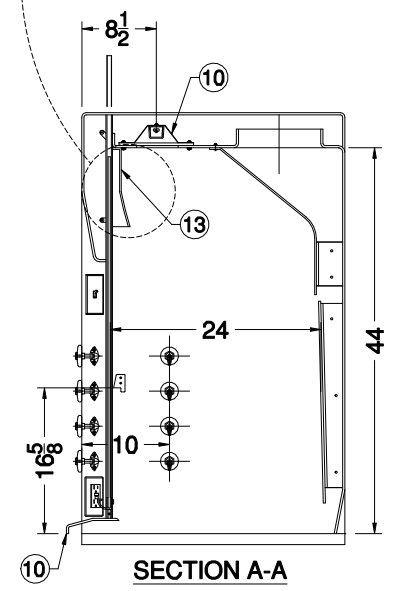
FRONT VIEW



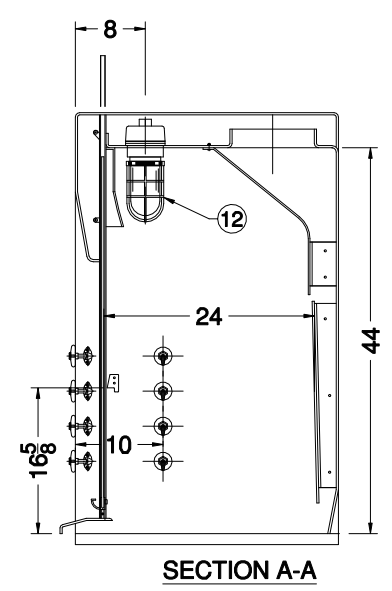
FRONT VIEW



DETAIL B



SECTION A-A



SECTION A-A

1. NAME PLATE
2. SERIAL # & I.D. PLATE
3. VERTICAL SASH RAISES ABOVE TOP OF HOOD 11"
4. LIGHT SWITCH LEFT OR RIGHT (OPT)
5. SERVICE FIXTURES LEFT OR RIGHT (OPT)
6. BLOWER SWITCH (OPT)
7. GFI DUPLEX RECEPT. 115-230 15A 20A (OPT)
8. WORK SURFACE BLACK EPOXY RESIN, PHENOLIC OR COMPOSITE (OPT)
9. VAV RESTRICTED PANEL
10. LED LIGHT FIXTURE 115V UL LISTED
11. AIR FOIL
12. EXPLOSION PROOF LIGHT FIXTURE CLASS I DIV II
13. BAFFLE SYSTEM

**UNIFLOW 96" LE AIRE STREAM FUME HOOD**  
**HEMCO Corporation**

DRAWN BY: **HDK** DATE: **05/11/19** DWG. NO. **STD-96" LE**

PROPRIETARY AND CONFIDENTIAL MODEL NO:

THE INFORMATION CONTAINED IN THIS DRAWING IS THE SOLE PROPERTY OF HEMCO CORPORATION. ANY REPRODUCTION IN PART OR AS A WHOLE WITHOUT THE WRITTEN PERMISSION OF HEMCO CORPORATION IS PROHIBITED. SCALE: **1" = 1'-0"**

PLANS & DRAWINGS ARE COPYRIGHTED BY *R. E. Hill* DATE **02/11/19** SHEET **1** OF **1**

**HEMCO** Laboratory Planning Solutions  
 711 S. Powell Rd.  
 Independence, MO 64056  
 PH: 816-796-2900  
 FAX: 816-796-3333  
 www.HEMCOcorp.com

REV: **A**