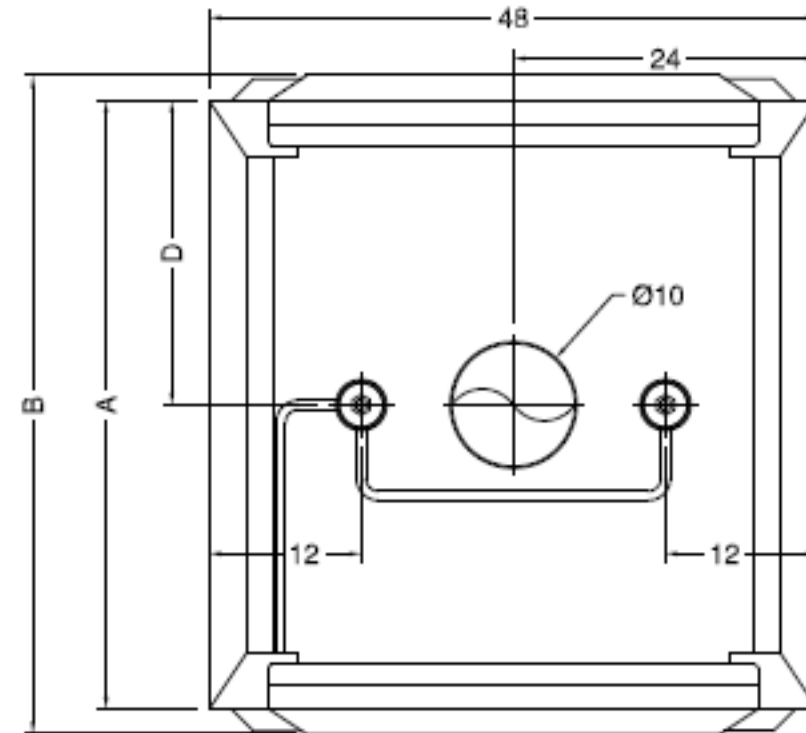


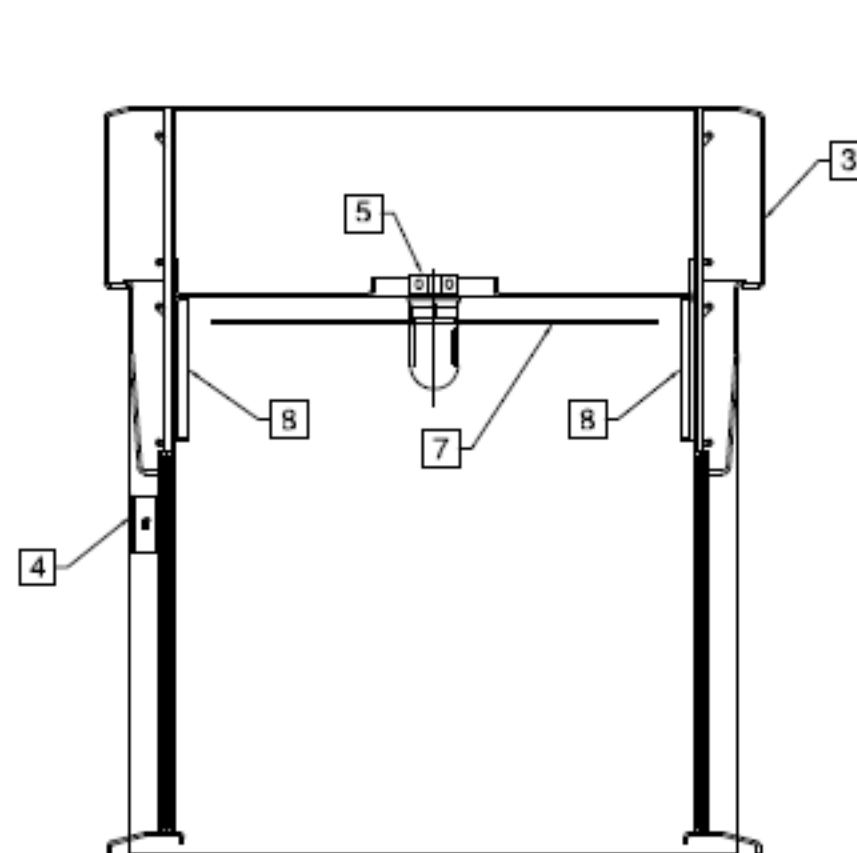
1. NAME PLATE
2. SERIAL # & I.D. PLATE
3. REMOVABLE ACCESS PANEL
4. LIGHT SWITCH LEFT OR RIGHT (OPT)
5. LED LIGHT FIXTURE 115V UL LISTED
6. AIR FOIL
7. BAFFLE SYSTEM
8. RESTRICTED BYPASS

PART NUMBER	DIM "A"	DIM "B"	DIM "C"
12140	30	34	15
12340	36	40	18
12240	48	52	24

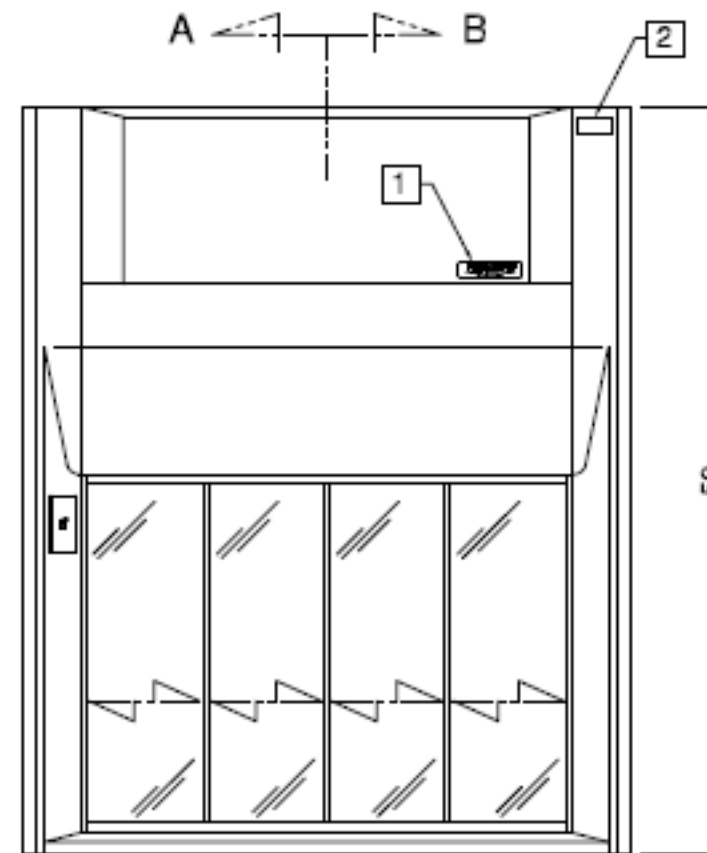
NOTE:  
ALL ELECTRICAL COMPONENTS  
UL AND CSA LISTED



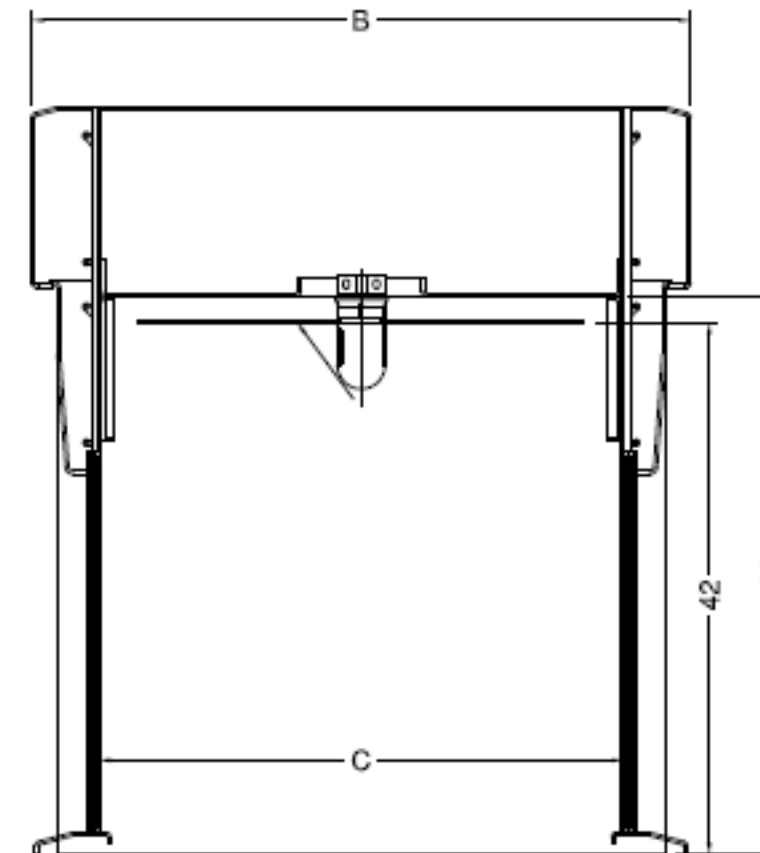
FRONT VIEW



SECTION A-A



FRONT VIEW



SECTION B-B

UNIFLOW 48" SE DUAL ENTRY FUME HOOD  
WITH VAPOR PROOF LIGHT

DRAWN BY: HDK DATE: 05/11/19 DWG. NO. LE-DE 48W

PROPRIETARY AND CONFIDENTIAL

THE INFORMATION CONTAINED IN THIS DRAWING IS THE SOLE PROPERTY OF HEMCO CORPORATION. ANY REPRODUCTION IN PART OR AS A WHOLE WITHOUT THE WRITTEN PERMISSION OF HEMCO CORPORATION IS PROHIBITED. PLANS & DRAWINGS ARE COPYRIGHTED

BY R. E. Hill DATE 02/11/19 SHEET 1 OF 1

**HEMCO** 711 S. Powell Rd, Independence, MO 64056  
PH: 816-796-2300  
FAX: 816-796-3333  
www.HEMCOcorp.com

REV: **A**