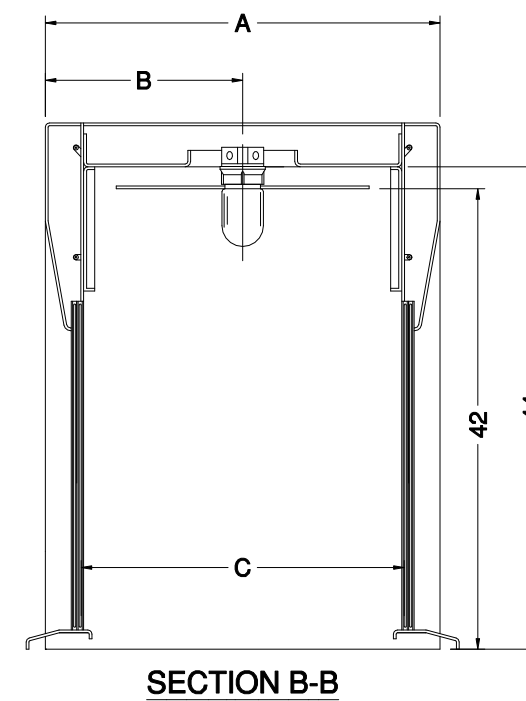
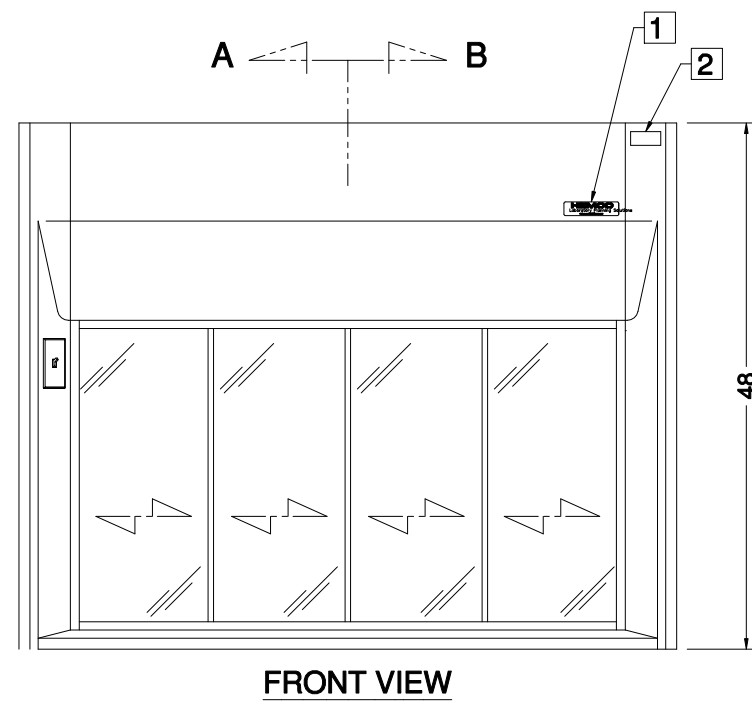
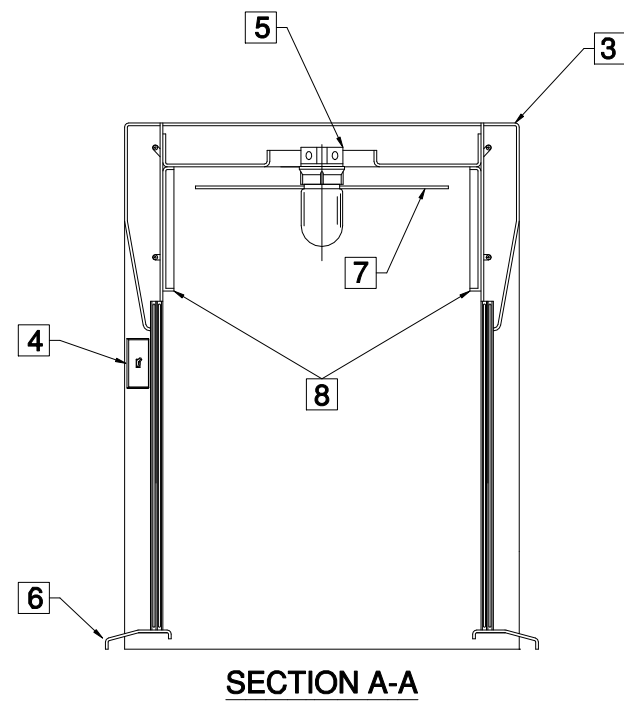
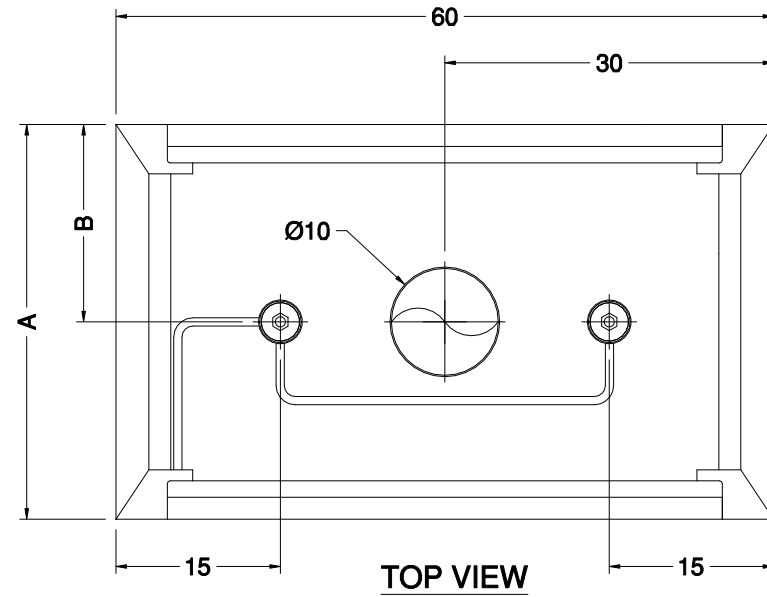


1. NAME PLATE
2. SERIAL # & I.D. PLATE
3. REMOVABLE ACCESS PANEL
4. LIGHT SWITCH LEFT OR RIGHT (OPT)
5. LED LIGHT FIXTURE 115V UL LISTED
6. AIR FOIL
7. BAFFLE SYSTEM
8. RESTRICTED BYPASS

PART NUMBER	DIM "A"	DIM "B"	DIM "C"
35531	30	15	23.5
35541	36	18	29.5
35551	48	24	41.5

NOTE:  
ALL ELECTRICAL COMPONENTS UL AND  
CSA LISTED



**UNIFLOW 60" LE DUAL ENTRY FUME HOOD  
WITH VAPOR PROOF LIGHT**

DRAWN BY: **HDK** DATE: **05/11/19** DWG. NO. **LE-DE 60W**

PROPRIETARY AND CONFIDENTIAL

THE INFORMATION CONTAINED IN THIS DRAWING IS THE SOLE PROPERTY OF HEMCO CORPORATION. ANY REPRODUCTION IN PART OR AS A WHOLE WITHOUT THE WRITTEN PERMISSION OF HEMCO CORPORATION IS PROHIBITED.

PLANS & DRAWINGS ARE COPYRIGHTED BY *R. E. Hill* DATE **02/11/19**

MODEL NO:  
SCALE:  
**1" = 1'-0"**  
SHEET **1** OF **1**

**HEMCO**  
Laboratory Planning Solutions

711 S. Powell Rd.  
Independence, MO 64056  
PH: 816-796-2900  
FAX: 816-796-3333  
www.HEMCOcorp.com

REV: **A**