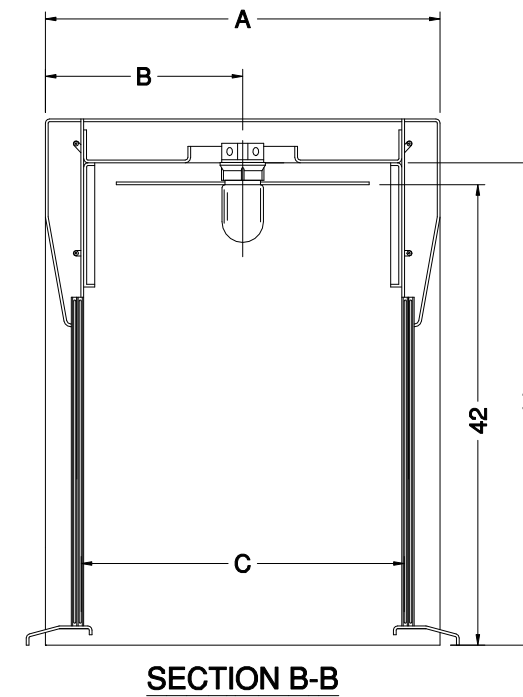
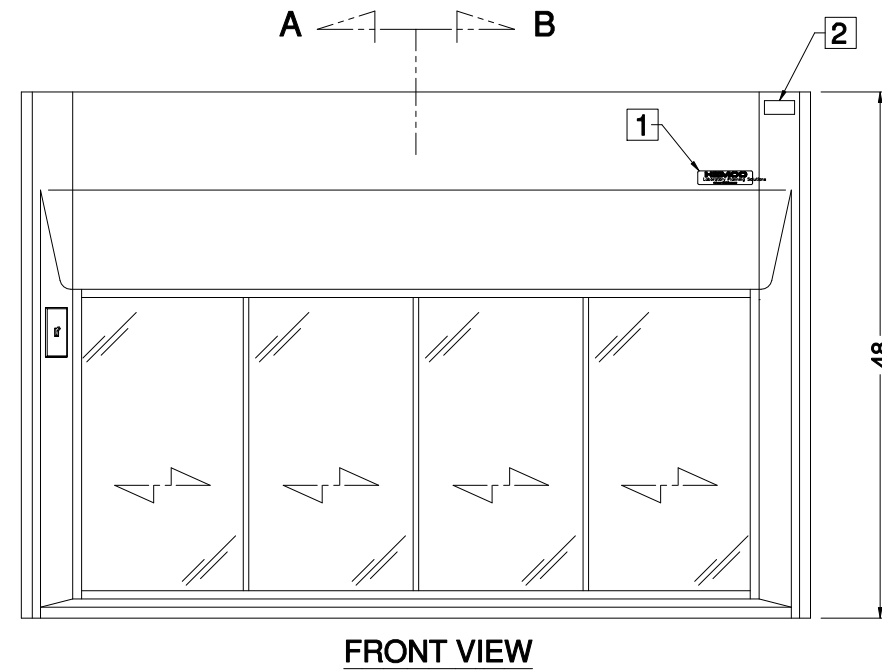
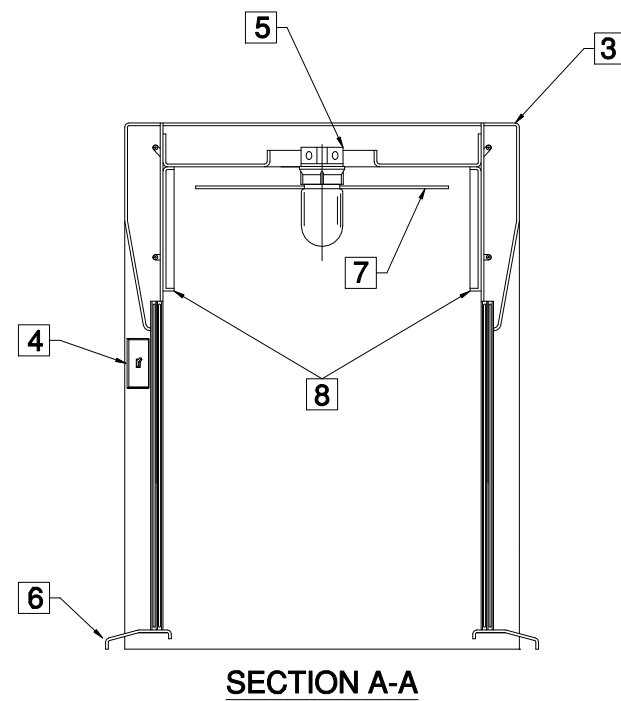
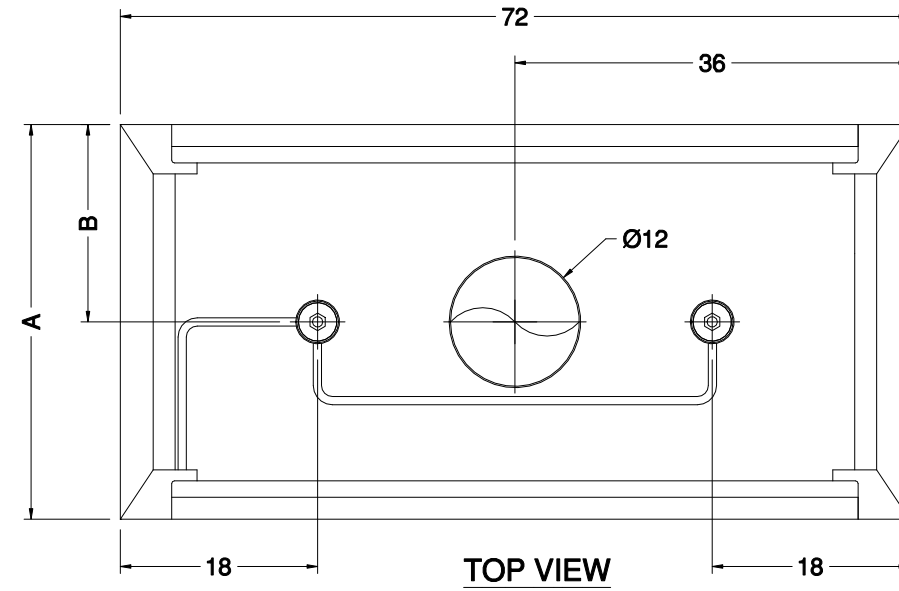


1. NAME PLATE
2. SERIAL # & I.D. PLATE
3. REMOVABLE ACCESS PANEL
4. LIGHT SWITCH LEFT OR RIGHT (OPT)
5. LED LIGHT FIXTURE 115V UL LISTED
6. AIR FOIL
7. BAFFLE SYSTEM
8. RESTRICTED BYPASS

PART NUMBER	DIM "A"	DIM "B"	DIM "C"
35631	30	15	23.5
35641	36	18	29.5
35651	48	24	41.5

NOTE:
ALL ELECTRICAL COMPONENTS UL AND
CSA LISTED



**UNIFLOW 72" LE DUAL ENTRY FUME HOOD
WITH VAPOR PROOF LIGHT**

DRAWN BY: HDK	DATE: 05/11/19	DWG. NO. LE-DE 72W
PROPRIETARY AND CONFIDENTIAL		
<small>THE INFORMATION CONTAINED IN THIS DRAWING IS THE SOLE PROPERTY OF HEMCO CORPORATION. ANY REPRODUCTION IN PART OR AS A WHOLE WITHOUT THE WRITTEN PERMISSION OF HEMCO CORPORATION IS PROHIBITED.</small>		MODEL NO:
<small>PLANS & DRAWINGS ARE COPYRIGHTED</small>		SCALE: 1" = 1'-0"
<small>BY <i>R. E. Hill</i> DATE 02/11/19</small>		SHEET 1 OF 1
		REV: A
<small>Laboratory Planning Solutions</small>		<small>711 S. Powell Rd. Independence, MO 64056 PH: 816-796-2900 FAX: 816-796-3333 www.HEMCOcorp.com</small>