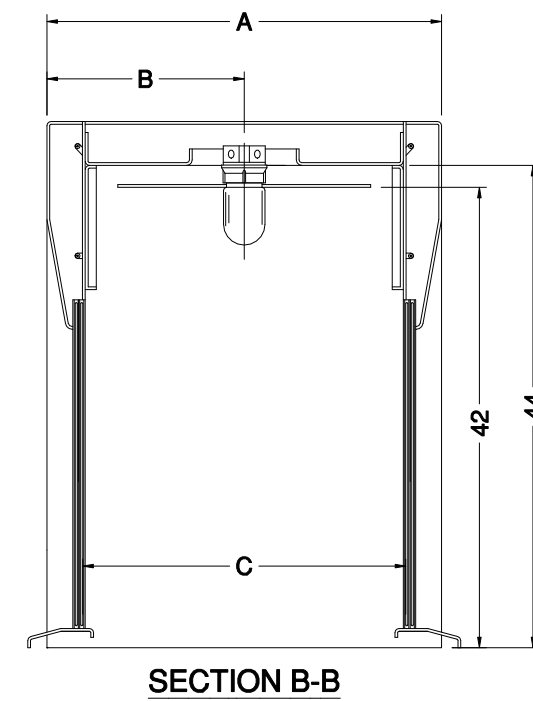
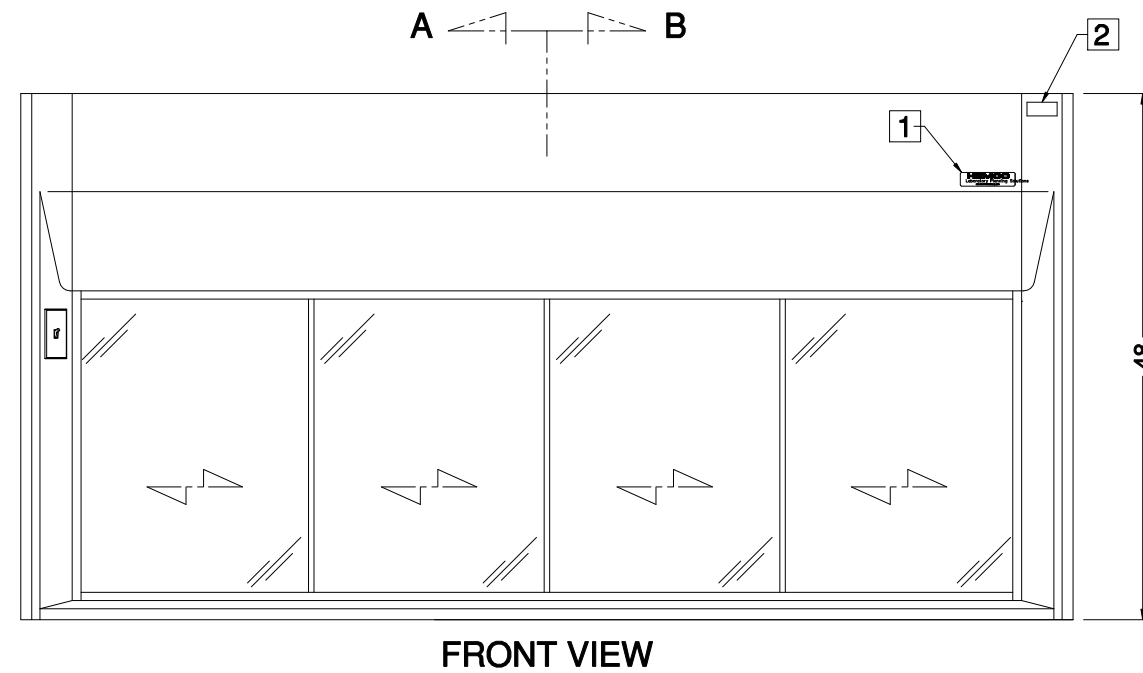
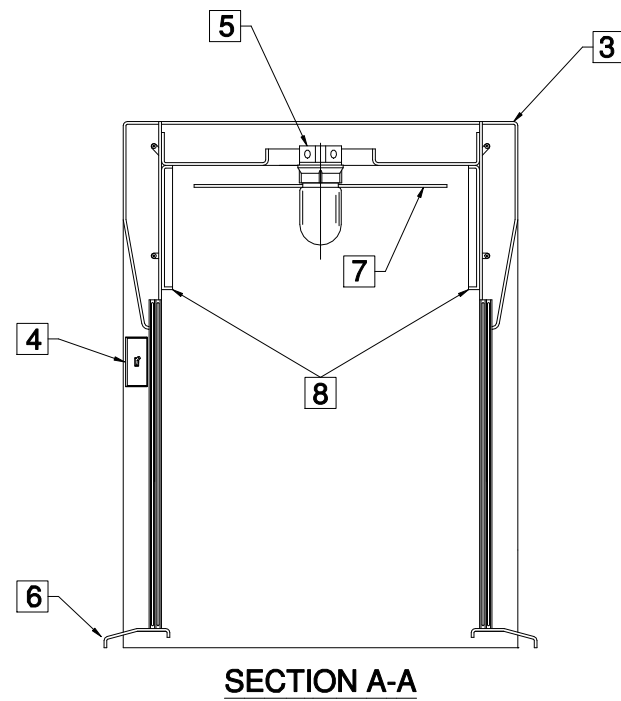
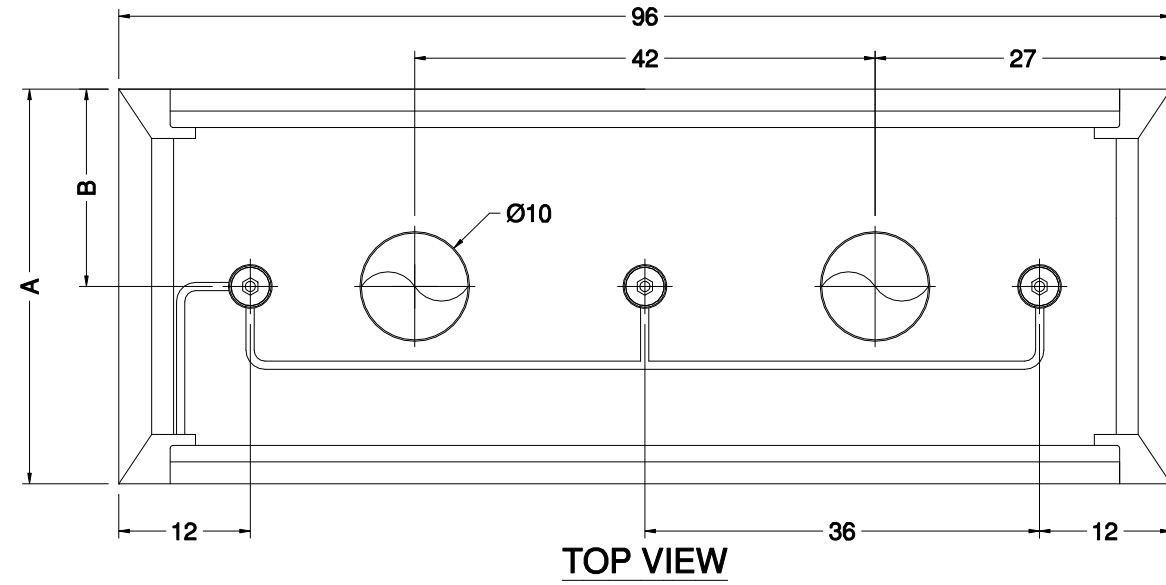


1. NAME PLATE
2. SERIAL # & I.D. PLATE
3. REMOVABLE ACCESS PANEL
4. LIGHT SWITCH LEFT OR RIGHT (OPT)
5. LED LIGHT FIXTURE 115V UL LISTED
6. AIR FOIL
7. BAFFLE SYSTEM
8. RESTRICTED BYPASS

PART NUMBER	DIM "A"	DIM "B"	DIM "C"
35831	30	15	23.5
35841	36	18	29.5
35851	48	24	41.5

NOTE:
ALL ELECTRICAL COMPONENTS UL AND
CSA LISTED



**UNIFLOW 96" LE DUAL ENTRY FUME HOOD
WITH VAPOR PROOF LIGHT**

DRAWN BY: **HDK** DATE: **05/11/19** DWG. NO. **LE-DE 96W**

PROPRIETARY AND CONFIDENTIAL
THE INFORMATION CONTAINED IN THIS DRAWING IS THE SOLE PROPERTY OF HEMCO CORPORATION. ANY REPRODUCTION IN PART OR AS A WHOLE WITHOUT THE WRITTEN PERMISSION OF HEMCO CORPORATION IS PROHIBITED.
PLANS & DRAWINGS ARE COPYRIGHTED BY *R. E. Hill* DATE **02/11/19**

711 S. Powell Rd.
Independence, MO 64056
PH: 816-796-2900
FAX: 816-796-3333
www.HEMCOcorp.com

SCALE: **1" = 1'-0"**
SHEET **1** OF **1**
REV: **A**

HEMCO
Laboratory Planning Solutions