

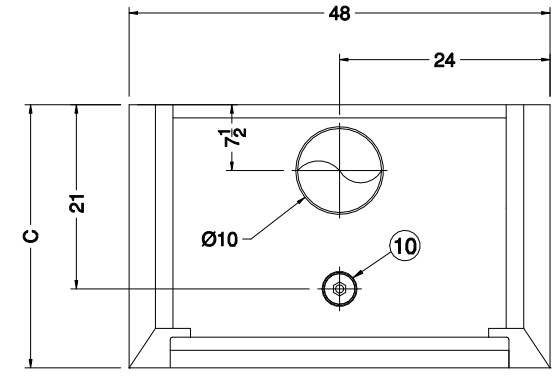
TOP VIEW ⑨

PART NUMBER	DIM "A"	DIM "B"
12040	30	22
12043	36	28
12044	48	40

INTERNATIONAL 220V/50Hz AC

PART NUMBER	DIM "A"	DIM "B"
12440	30	22
12443	36	28
12444	48	40

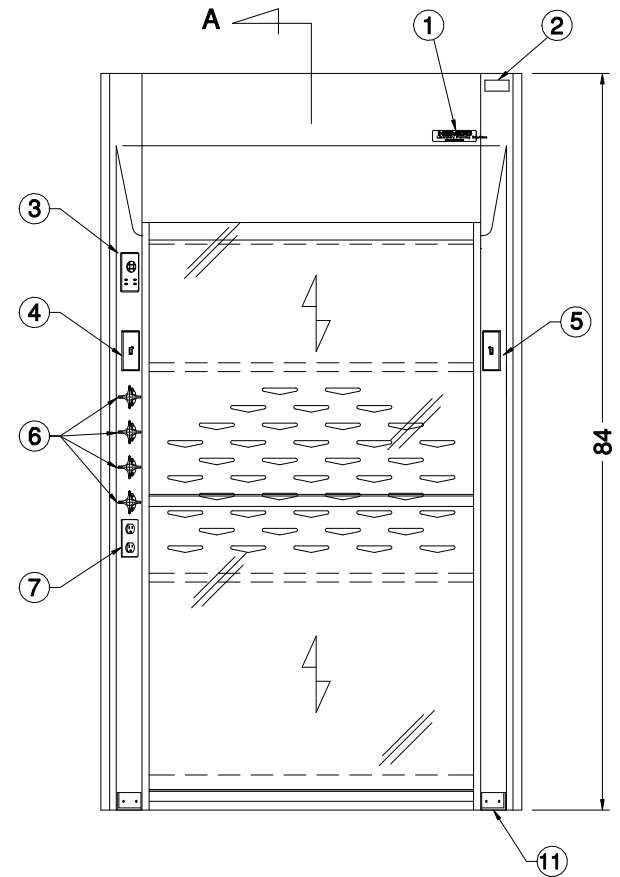
ALL OF THE ABOVE HAVE VAPOR PROOF LIGHT FIXTURES



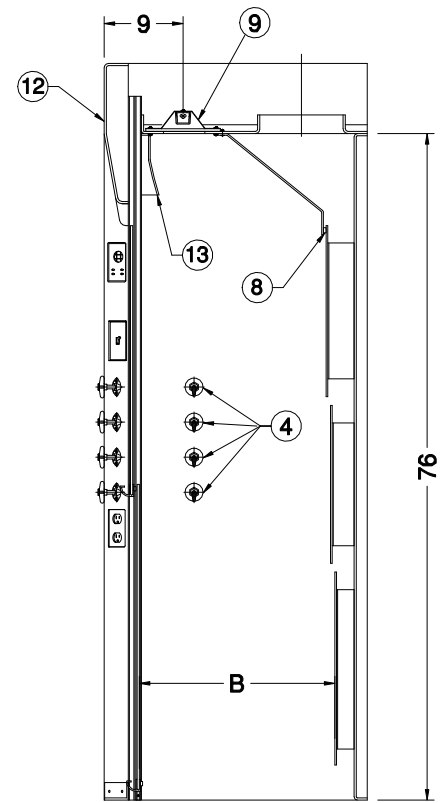
TOP VIEW

PART NUMBER	DIM "C"	DIM "D"
12140	30	22
12143	36	28
12144	48	40

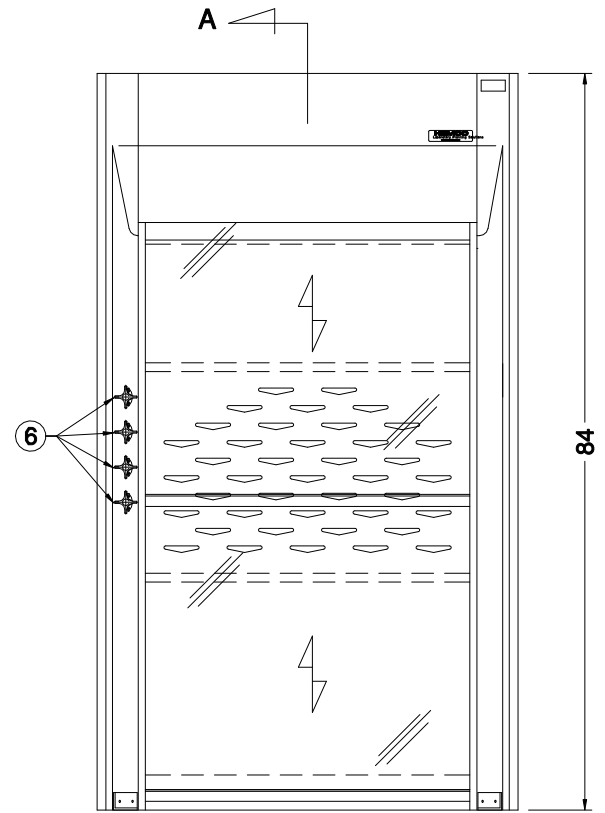
ALL OF THE ABOVE HAVE EXPLOSION PROOF LIGHT FIXTURES



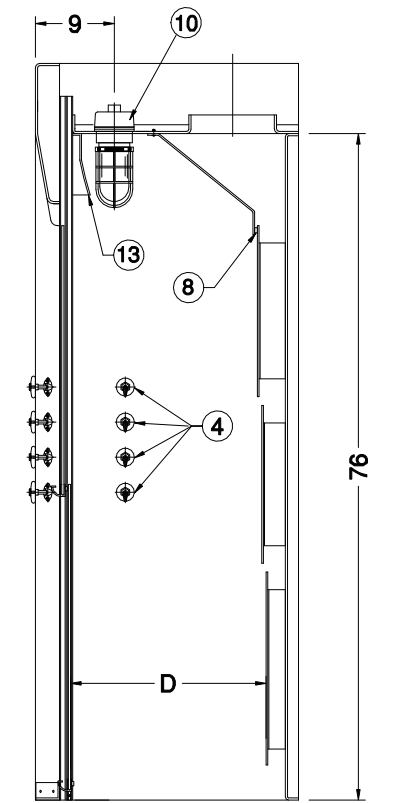
FRONT VIEW



SECTION A-A



FRONT VIEW



SECTION A-A

- NOTES:**
1. NAME PLATE
 2. SER. # & I.D. PLATE
 3. AIR FLOW MONITOR 12V 115VAC (OPT)
 4. LIGHT SWITCH
 5. BLOWER SWITCH (OPT)
 6. SERVICE FIXTURES LEFT OR RIGHT (OPT)
 7. DUPLEX RECEPTACLE 115-230 15A 20A GFI (OPT)
 8. AIR GAP
 9. VAPOR PROOF LED LIGHT FIXTURE
 10. EXPLOSION PROOF LIGHT FIXTURE
 11. FLOOR MOUNT
 12. REMOVABLE ACCESS PANEL
 13. BYPASS BAFFLE

UNIFLOW LE FM 48" FLOOR MOUNT FUME HOOD
HEMCO Corporation

DRAWN BY: **HDK** DATE: **05/11/19** DWG. NO. **LE-FM-48W**

PROPRIETARY AND CONFIDENTIAL

THE INFORMATION CONTAINED IN THIS DRAWING IS THE SOLE PROPERTY OF HEMCO CORPORATION. ANY REPRODUCTION IN PART OR AS A WHOLE WITHOUT THE WRITTEN PERMISSION OF HEMCO CORPORATION IS PROHIBITED.

PLANS & DRAWINGS ARE COPYRIGHTED BY *R. E. Hill* DATE **02/11/19**

711 S. Powell Rd.
 Independence, MO 64056
 PH: 816-796-2900
 FAX: 816-796-3333
 www.HEMCOcorp.com

SCALE: **1" = 1'-0"**

SHEET **1** OF **1**

REV: **A**