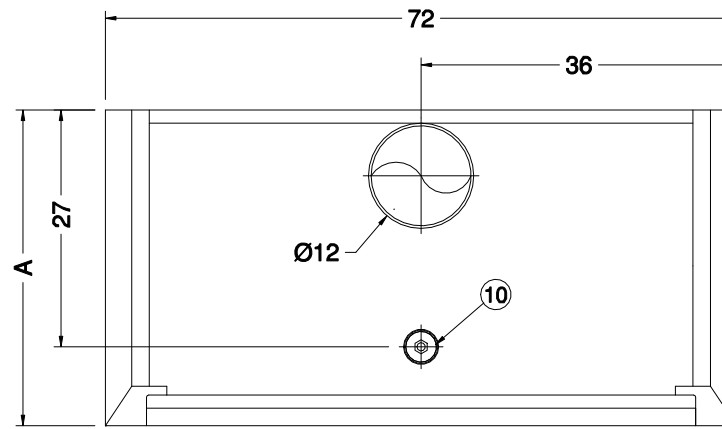


TOP VIEW

PART NUMBER	DIM "A"	DIM "B"
12060	30	22
12063	36	28
12064	48	40

INTERNATIONAL 220V/50Hz AC
 12460 30 22
 12463 36 28
 12464 48 40

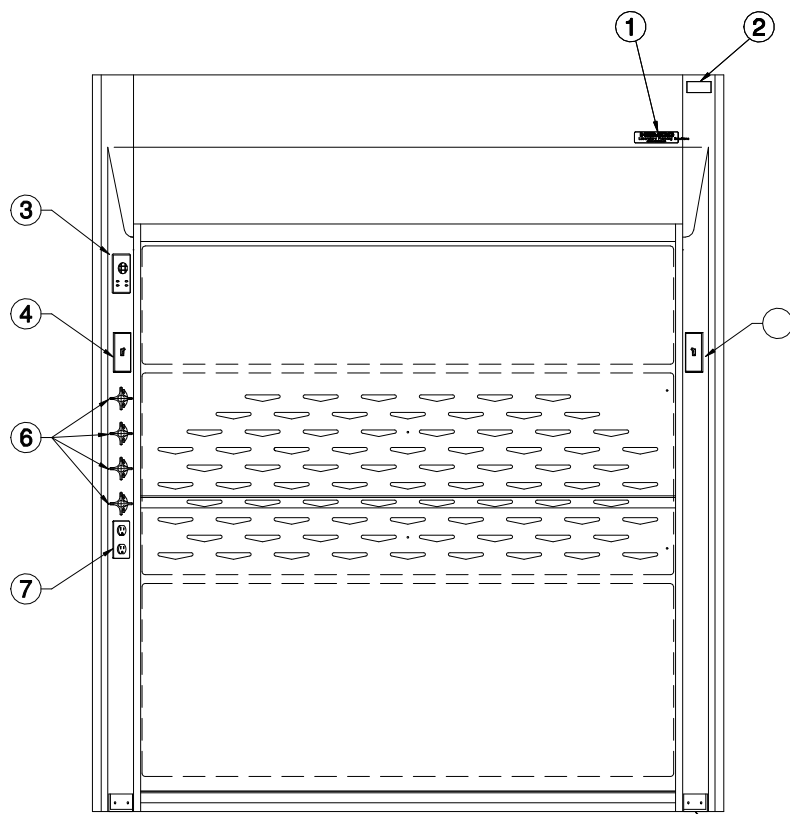
ALL OF THE ABOVE HAVE VAPOR
 PROOF LIGHT FIXTURES



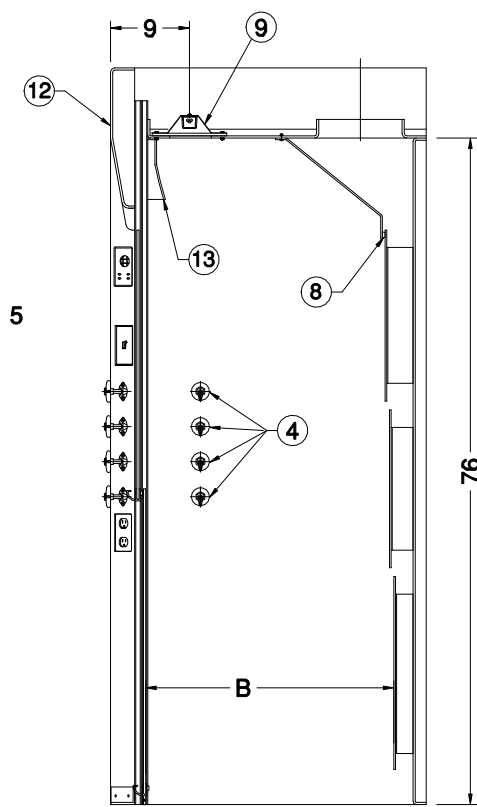
TOP VIEW

PART NUMBER	DIM "C"	DIM "D"
12160	30	22
12163	36	28
12164	48	40

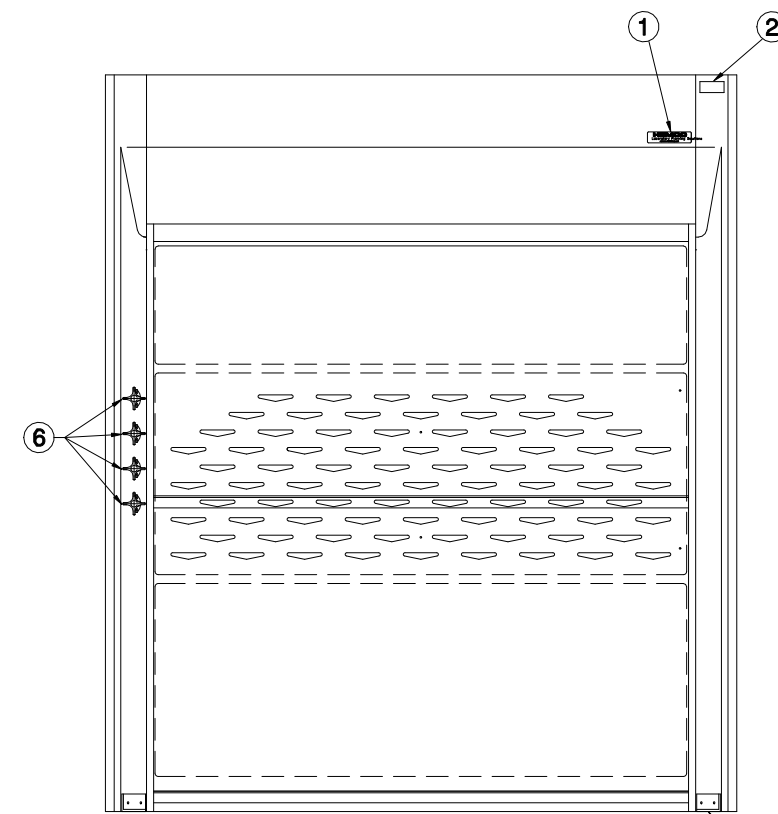
ALL OF THE ABOVE HAVE EXPLOSION
 PROOF LIGHT FIXTURES



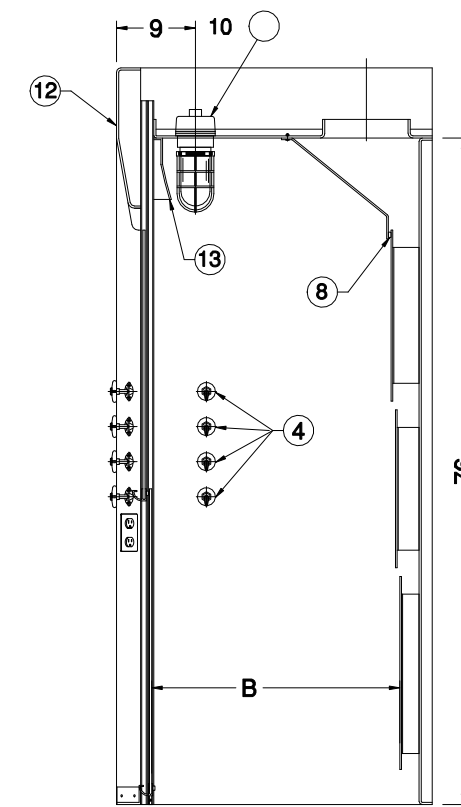
FRONT VIEW



SECTION A-A



FRONT VIEW



SECTION A-A

NOTES:

1. NAME PLATE
2. SER. # & I.D. PLATE
3. AIR FLOW MONITOR 12V 115VAC (OPT)
4. LIGHT SWITCH
5. BLOWER SWITCH (OPT)
6. SERVICE FIXTURES LEFT OR RIGHT (OPT)
7. DUPLEX RECEPTACLE 115-230 15A 20A GFI (OPT)
8. AIR GAP
9. VAPOR PROOF LED LIGHT FIXTURE
10. EXPLOSION PROOF LIGHT FIXTURE
11. FLOOR MOUNT
12. REMOVABLE ACCESS PANEL
13. BYPASS BAFFLE
14. FIRE EXTINGUISHER HEAT-ACTIVATED DISCHARGE (OPT)

UNIFLOW LE FM 72" FLOOR MOUNT FUME HOOD

HEMCO Corporation

DRAWN BY: HDK DATE: 05/11/19 DWG. NO. LE-FM-72W

PROPRIETARY AND CONFIDENTIAL

MODEL NO:

THE INFORMATION CONTAINED IN THIS DRAWING IS THE SOLE PROPERTY OF HEMCO CORPORATION. ANY REPRODUCTION IN PART OR AS A WHOLE WITHOUT THE WRITTEN PERMISSION OF HEMCO CORPORATION IS PROHIBITED.

SCALE: 1" = 1'-0"

PLANS & DRAWINGS ARE COPYRIGHTED BY R. E. Hill DATE 02/11/19

SHEET 1 OF 1

HEMCO

711 S. Powell Rd.
 Independence, MO 64056
 PH: 816-796-2900
 FAX: 816-796-3333

Laboratory Planning Solutions www.HEMCOcorp.com

REV: A