

PART NUMBER	DIM "A"	DIM "B"
12080	30	22
12083	36	28
12084	48	40

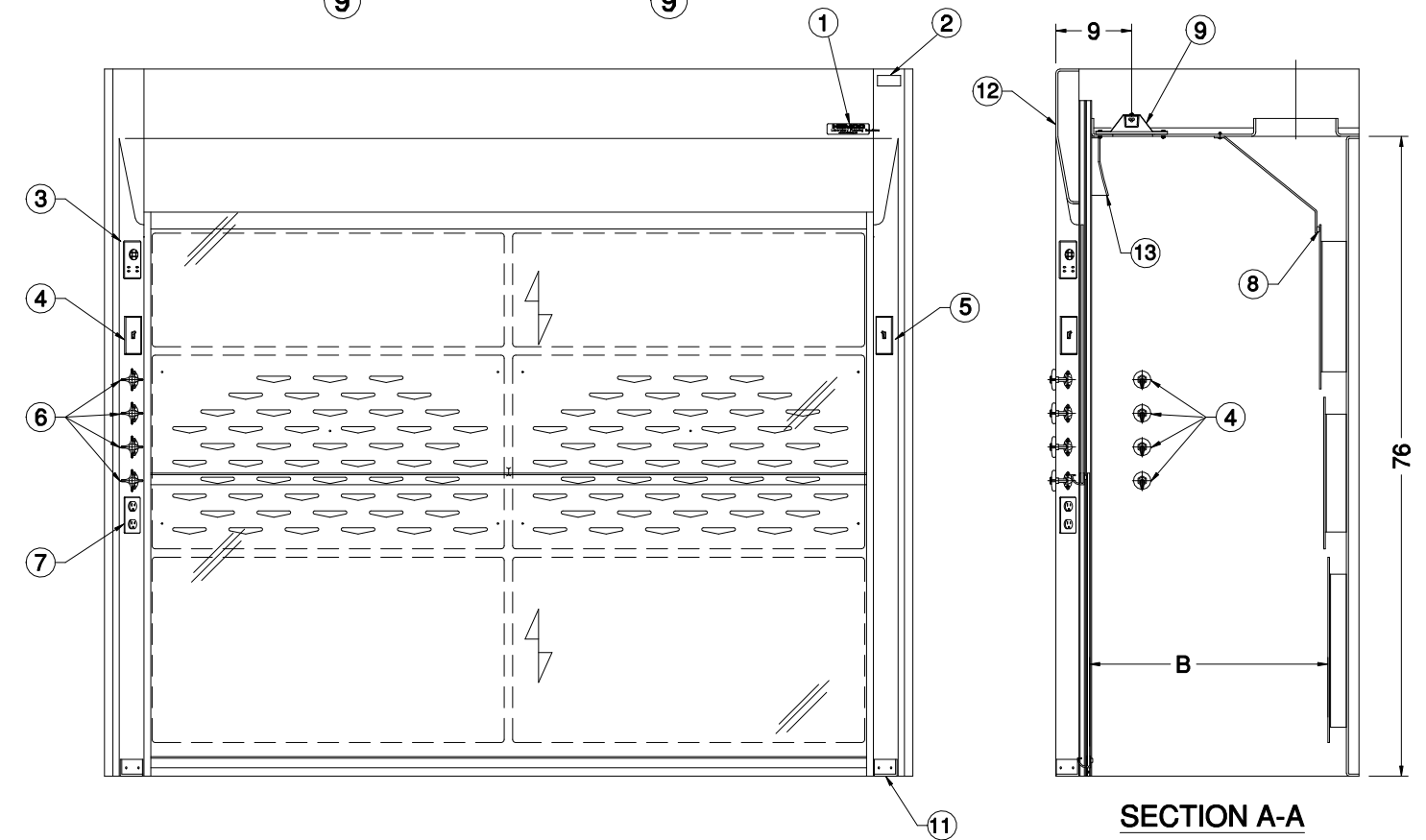
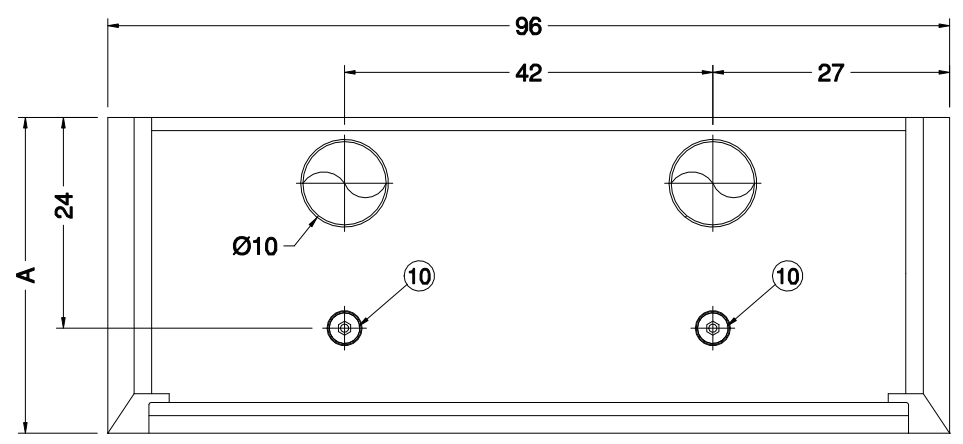
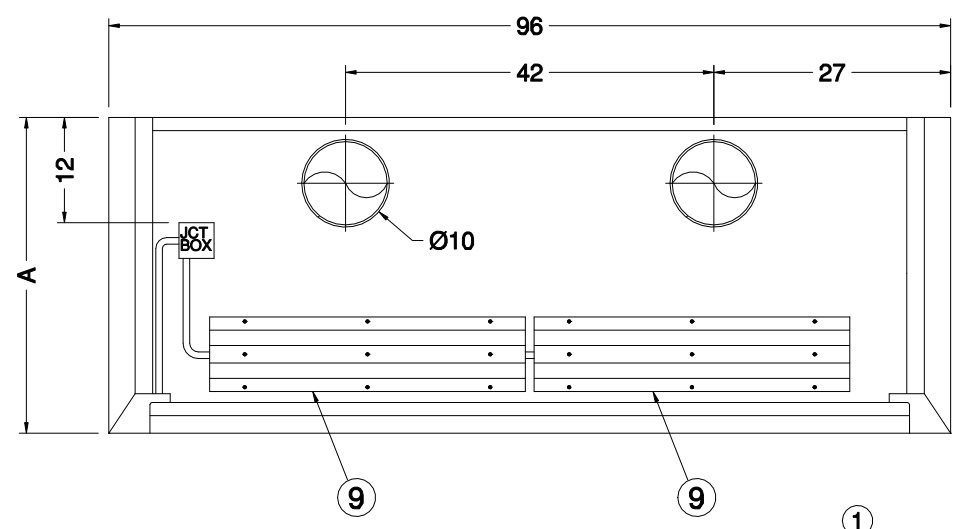
INTERNATIONAL 220V/50Hz AC

PART NUMBER	DIM "A"	DIM "B"
12480	30	22
12483	36	28
12484	48	40

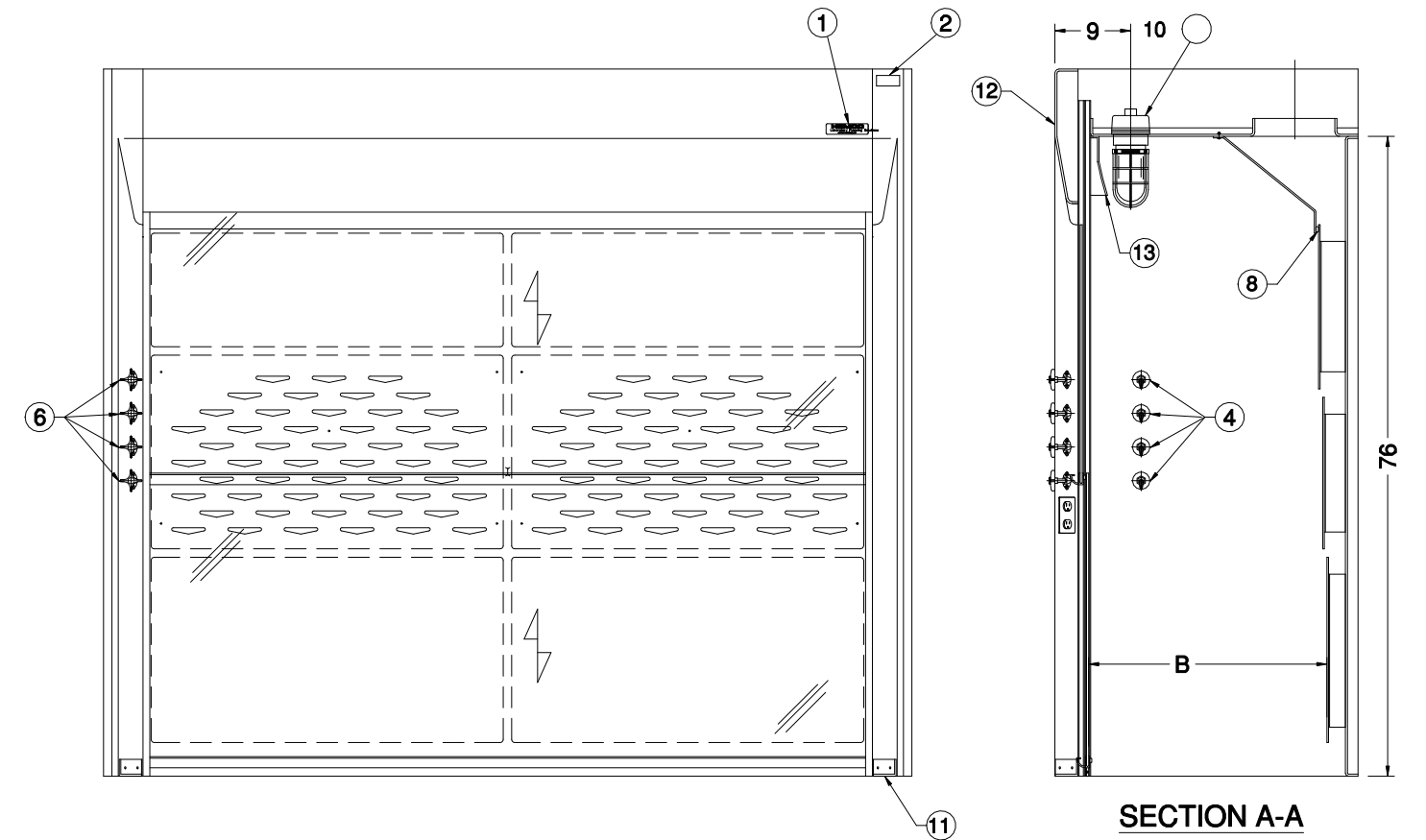
ALL OF THE ABOVE HAVE VAPOR PROOF LIGHT FIXTURES

PART NUMBER	DIM "C"	DIM "D"
12180	30	22
12183	36	28
12184	48	40

ALL OF THE ABOVE HAVE EXPLOSION PROOF LIGHT FIXTURES



SECTION A-A



SECTION A-A

- NOTES:**
1. NAME PLATE
 2. SER. # & I.D. PLATE
 3. AIR FLOW MONITOR 12V 115VAC (OPT)
 4. LIGHT SWITCH
 5. BLOWER SWITCH (OPT)
 6. SERVICE FIXTURES LEFT OR RIGHT (OPT)
 7. DUPLEX RECEPTACLE 115-230 15A 20A GFI (OPT)
 8. AIR GAP
 9. VAPOR PROOF LED LIGHT FIXTURE
 10. EXPLOSION PROOF LIGHT FIXTURE
 11. FLOOR MOUNT
 12. REMOVABLE ACCESS PANEL
 13. BYPASS BAFFLE
 14. FIRE EXTINGUISHER HEAT-ACTIVATED DISCHARGE (OPT)

UNIFLOW LE FM 96" FLOOR MOUNT FUME HOOD VERTICAL SASH

DRAWN BY: **HDK** DATE: **05/11/19** DWG. NO. **LE-FM-96W**

PROPRIETARY AND CONFIDENTIAL

THE INFORMATION CONTAINED IN THIS DRAWING IS THE SOLE PROPERTY OF HEMCO CORPORATION. ANY REPRODUCTION IN PART OR AS A WHOLE WITHOUT THE WRITTEN PERMISSION OF HEMCO CORPORATION IS PROHIBITED.

PLANS & DRAWINGS ARE COPYRIGHTED BY *R. E. Hill* DATE **02/11/19**

711 S. Powell Rd.
Independence, MO 64056
PH: 816-796-2900
FAX: 816-796-3333
www.HEMCOcorp.com

SCALE: **1" = 1'-0"**

SHEET **1** OF **1**

REV: **A**

HEMCO
Laboratory Planning Solutions