

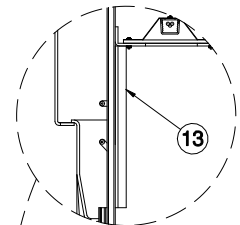
TOP VIEW

PART NUMBER	BYPASS	DIM "A"	DIM "B"	DIM "C"
45421	CAV	30	32	24
45431	CAV	36	38	30
45422	VAV	30	32	24
45432	VAV	36	38	30

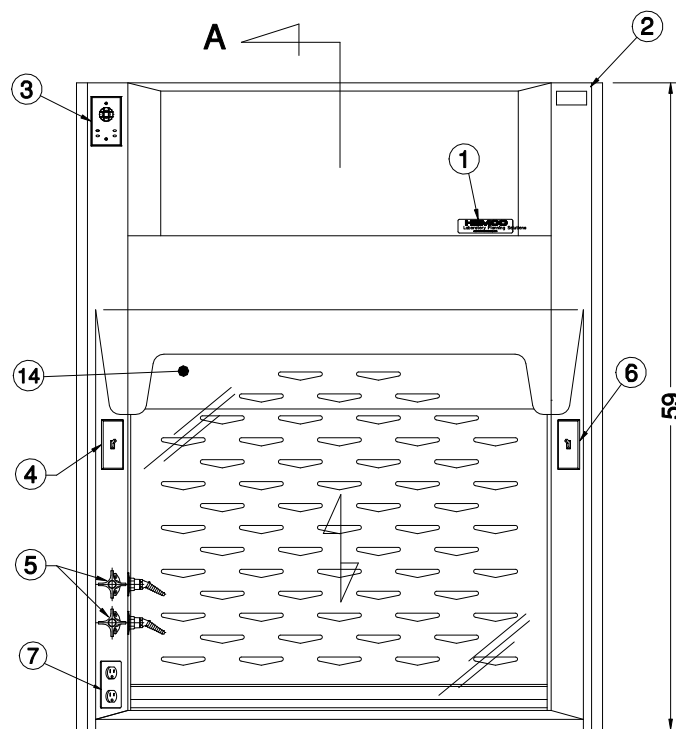
INTERNATIONAL 220V/50Hz AC

45424	CAV	30	32	24
45434	CAV	36	38	30

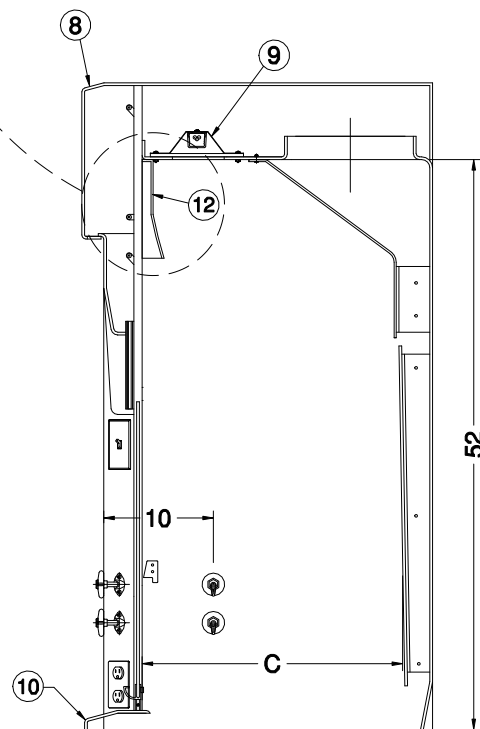
ALL OF THE ABOVE HAVE VAPOR PROOF LIGHT FIXTURES



DETAIL B
VAV RESTRICTED
PANEL



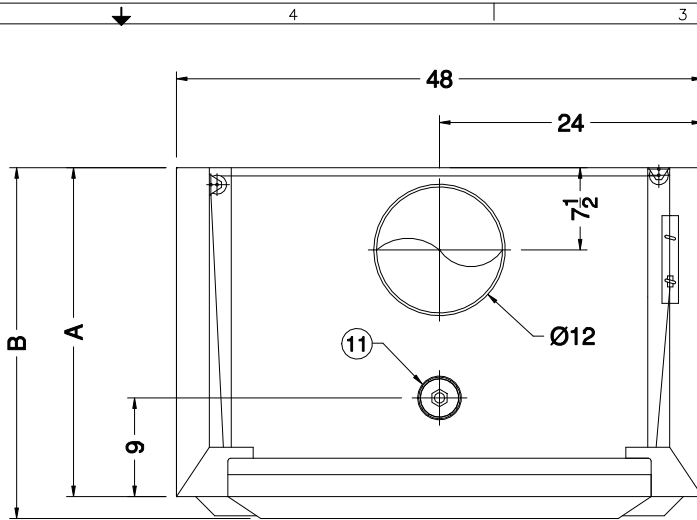
FRONT VIEW



SECTION A-A

1. NAME PLATE
2. SERIAL # & I.D. PLATE
3. AIR FLOW MONITOR 12V 115VAC (OPT)
4. LIGHT SWITCH LEFT OR RIGHT (OPT)
5. SERVICE FIXTURES LEFT OR RIGHT (OPT)
6. BLOWER SWITCH (OPT)
7. DUPLEX RECEPT. 115-230 15A 20A GFI (OPT)
8. REMOVABLE ACCESS PANEL

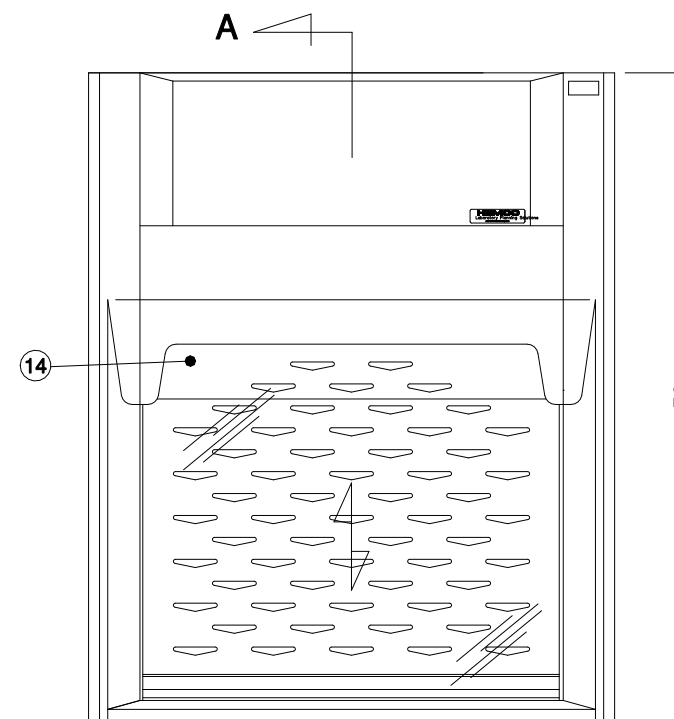
9. LED LIGHT FIXTURE 115V UL LISTED
10. AIR FOIL
11. EXPLOSION PROOF LIGHT FIXTURE CLASS I DIV II
12. CAV Baffle SYSTEM
13. VAV RESTRICTED PANEL
14. FIXED GLASS PANEL
15. SASH STOP



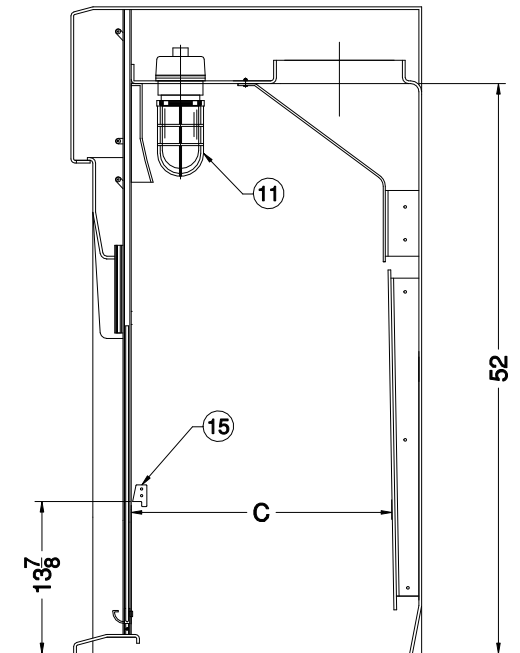
TOP VIEW

PART NUMBER	BYPASS	DIM "A"	DIM "B"	DIM "C"
45423	CAV	30	32	24
45433	CAV	36	38	30

ALL OF THE ABOVE HAVE EXPLOSION PROOF LIGHT FIXTURES



FRONT VIEW



SECTION A-A

NOTE: ALL ELECTRICAL COMPONENTS UL AND CSA LISTED

UNIFLOW 48" SE AIRE STREAM FUME HOOD

HEMCO Corporation

DRAWN BY: HDK DATE: 05/11/19 DWG. NO. STD-45400

PROPRIETARY AND CONFIDENTIAL

MODEL NO:

THE INFORMATION CONTAINED IN THIS DRAWING IS THE SOLE PROPERTY OF HEMCO CORPORATION. ANY REPRODUCTION IN PART OR AS A WHOLE WITHOUT THE WRITTEN PERMISSION OF HEMCO CORPORATION IS PROHIBITED.

SCALE: 1" = 1'-0"

PLANS & DRAWINGS ARE COPYRIGHTED BY R. E. Hill DATE 02/11/19

SHEET 1 OF 1

HEMCO

711 S. Powell Rd.
Independence, MO 64056
PH: 816-796-2900
FAX: 816-796-3333

Laboratory Planning Solutions www.HEMCOcorp.com

REV:

A